



RAYCHEM

465 Controller

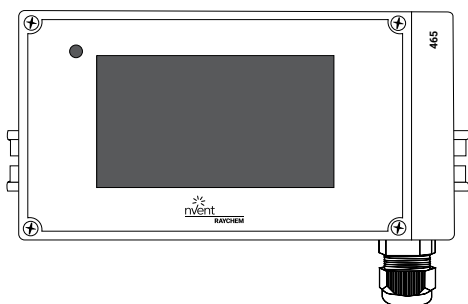
(Firmware version 1.1.4 or higher)

- EN** Electronic control unit for fire sprinkler trace heating systems

Installation, operation and maintenance manual

- CF** Unité de contrôle électronique pour les systèmes de traçage de gicleurs d'incendie

Manuel d'installation, d'utilisation et d'entretien



1.	Overview	5
1.1	Introduction	5
1.1.1	Trace heating systems for fire sprinkler systems	5
1.2	Product overview description	6
1.2.1	Features	6
1.3	Product ratings	8

2.	Installation and Wiring	11
2.1	Introduction	11
2.2	Initial inspection	11
2.3	Installation location	11
2.4	Mounting procedures	12
2.5	Wiring	13
2.5.1	Power and Load Connections	13
2.5.2	Temperature Sensor and Extension Cables	14
2.6	Supervisory relay connections	14
2.6.1	Short Cables Length Handling	16
2.7	Initializing the controller	16
2.7.1	Initial Heating Cable Test	16
2.7.2	Connection to the fire alarm panel test	16

3.	465 Controller Operation	16
3.1	Quickstart	16
3.2	Settings menu	19
3.3	System menu	19
3.3.1	Info	20
3.3.2	Test Program	20
3.3.3	Service	20
3.3.4	Status	20
3.3.5	Keylock Feature	21
3.3.6	Assign Device Number	21
3.3.7	Reset	21
3.4	Heating cable and pipe menu	21
3.4.1	Sensor Setup	22
3.4.2	Control Mode	22
3.4.3	Setpoint	23
3.4.4	Deadband	23
3.4.5	Minimum Expected Ambient Temperature	23
3.4.6	Cable Type	23
3.4.7	Pipe Diameter	23
3.4.8	Low Temperature	24

3.4.9	High Temperature	24
3.4.10	High Limit Cutout Temperature, Setpoint	24
3.4.11	Temperature Condition Filter	24
3.4.12	High Ground Fault Current	24
3.4.13	Ground Fault Trip Level (HI GF Trip)	24
3.5	General settings menu	25
3.5.1	Language	25
3.5.2	Country	25
3.5.3	Date	25
3.5.4	Time	25
3.5.5	Voltage	25
3.5.6	Select Unit of Measure	25
3.5.7	Time Format	25
3.6	Supervisory events	26
3.6.1	Filter Times	26
3.6.2	Error Codes	26
<hr/>		
4.	Troubleshooting	27
<hr/>		
5.	Appendix A: Proportional Ambient Sensing Control (PASC)	30

1. OVERVIEW

1.1 Introduction

This manual provides information pertaining to the installation, operation, testing and maintenance of the nVent RAYCHEM 465 fire sprinkler heat trace controller. The controller is c-UL-us listed for freeze protection of fire suppression system supply piping and branch lines.

Additional copies of this user manual may be ordered separately through your nVent Thermal Management representative or online at nVent.com.

This document covers the 465 controller and its available options. This fire sprinkler heat trace controller is designed for the following trace heating products necessary to make up the complete freeze protection system for supply piping and branch lines including sprinkler heads: nVent RAYCHEM XL-Trace Edge cables 5XLE1-CR, 5XLE2-CR, 5XLE1-CT, 5XLE2-CT, 8XLE1-CR, 8XLE2-CR, 8XLE1-CT and 8XLE2-CT heating cables; as well as nVent RAYCHEM RayClic-PC, RayClic-PS, RayClic-PT, RayClic-T, RayClic-S, RayClic-X, RayClic-E, RayClic-LE, RayClic-SB-02, RayClic-SB-04 connection kits and accessories.

1.1.1 Trace Heating Systems for Fire Sprinkler Systems

The design and monitoring of trace heating systems for fire sprinkler systems shall be in accordance with IEEE 515.1. Trace heating systems for fire sprinkler systems shall be permanently connected to the power supply. If backup power is being provided for the building electrical systems, it shall also provide backup power supply for the trace heating system.

The thermal insulation used for the supply piping and branch lines shall be non-combustible and protected with a sealed exterior non-combustible cover that will maintain its integrity when exposed to water discharge as shown below:

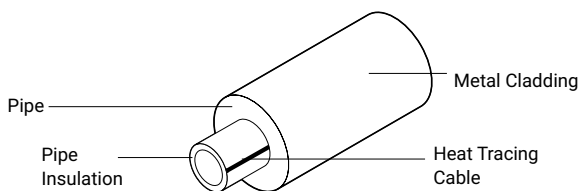
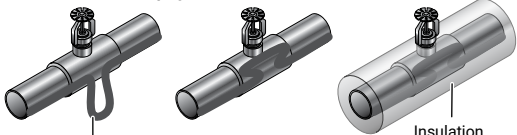


Figure 1.1 Example of sealed exterior non-combustible cover for the pipe insulation

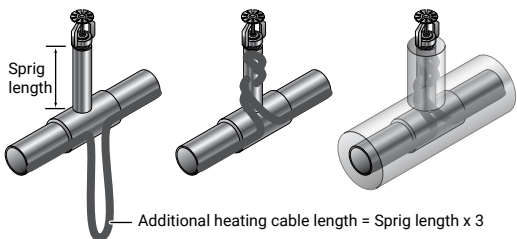
The thermal insulation for the sprinklers shall be installed to comply with the obstruction requirements of NFPA 13 so that the thermal insulation over the trace heating does not unacceptably obstruct the sprinkler or cover the wrench boss.

When installing XL-Trace Edge trace heating system on branch lines with sprinkler heads follow the methods shown below:

Sprinkler head without sprig

Additional heating cable length = Pipe diameter x 4

Insulation
(Use outer diameter of thermal insulation when determining the spray shadowing in your sprinkler system.)

Sprinkler head with sprig

Additional heating cable length = Sprig length x 3

Figure 1.2 Installing XL-Trace Edge on the sprinklers

Sprigs are typically 1 inch IPS with 0.5 inch thick thermal insulation. The insulation may be oversized to accommodate the heating cable installation, resulting in no greater than 3 inch installed outer diameter (OD). Typically thermal insulation of 2 inch thickness should be used on branch lines and supply piping to balance the heat loss of the system and power output of the trace heating.

For upright sprinklers only, the sprinkler heads shall be insulated up to the top of the reducing bushing with a taper of 45° to avoid spray-pattern obstruction, as detailed in Figure 14 of IEEE 515.1-2012.

The minimum sprinkler temperature rating shall be (155°F [68°C]).

1.2 Product overview description

The 465 controller monitors, controls, and communicates supervisory events and data for one heating cable circuit.

The intended use of 465 controller is to control and monitor heat tracing circuits for fire sprinkler systems. Each unit is a single point controller with a 5" inch color touch screen display for intuitive set up and programming right out of the box. The 465 controller may be used with line-sensing or ambient-sensing and proportional ambient-sensing control (PASC) modes. It measures temperatures with two 2 KOhm / 77°F (25°C), 2-wire Thermistor connected directly to the unit. The controller can also measure ground fault current to ensure system integrity. If the equipment is used in a manner not specified by nVent Thermal Management the protection provided by the equipment may be impaired.

1.2.1 Features

A detailed description of available features may be found in Section 4 of this manual.

Highlights of specific features are as follows:

Touchscreen Display

The touchscreen display provides the operator with large easy

to read messages and prompts, eliminating complex and cryptic programming.

Single or Dual Temperature Sensor Inputs

The ability to utilize one or two temperature sensor inputs allows the selection of ambient or line sensing control modes and programming of all temperature parameters.

High and Low Temperature

High and low temperature supervisory events are offered for both temperature sensor inputs.

High Temperature Cutout

High temperature cutout is provided for both temperature sensor inputs.

Low Current Condition

The 465 controller offers a low current condition to identify situations where the heating cable is not pulling adequate current.

Electromechanical Relay (EMR) Output

The 465 controller is equipped with a 24 A rated electromechanical relay (EMR) output switch with device failure supervisory status change.

Ground Fault Condition and Trip

Ground fault (GF) current levels are monitored and are displayed in milliamperes (mA). The adjustable ground fault level gives the user the choice of ground fault current levels suitable for the particular installation.

Proportional Ambient Sensing Control (PASC)

The 465 controller includes the Proportional Ambient Sensing Control (PASC) mode to maximize the energy efficiency of the heat tracing system.

Temperature Sensor Failure

Both open and shorted sensors are detected by the controller.

Certification

nVent Thermal Management certifies that this product met its published specifications at the time of shipment from the factory.

Limited Warranty

This nVent Thermal Management product is warranted against defects in material and workmanship for a period of 18 months from the date of installation or 24 months from the date of purchase, whichever occurs first. During the warranty period, nVent Thermal Management will, at its option, either repair or replace products that prove to be defective. For warranty service or repair, this product must be returned to a service facility designated by nVent Thermal Management. The Buyer shall prepay shipping charges to nVent Thermal Management and nVent Thermal Management shall pay shipping charges to return the product to the Buyer. However, the Buyer shall pay all shipping charges, duties, and taxes for products returned to nVent Thermal Management from another country. nVent Thermal Management warrants that the software and firmware designated by nVent Thermal Management for use with the 465 controller will execute its programming instructions properly. nVent Thermal Management does not warrant that the operation of the hardware, or software, or firmware will be uninterrupted or error-free.

Warranty Exclusion/Disclaimer

The foregoing warranty shall not apply to defects resulting from improper or inadequate maintenance by the Buyer, Buyer-supplied software or interfacing, unauthorized modification or misuse, operation outside of the specifications for the product, or improper installation. No other warranty is expressed or implied. nVent Thermal Management disclaims the implied warranties of merchantability and fitness for a particular purpose.

Exclusive Remedies

The remedies provided herein are the buyer's sole and exclusive remedies. nVent Thermal Management shall not be liable for any direct, indirect, special, incidental, or consequential damages, whether based on contract, tort, or any other legal theory.

Conducted and Radiated Emissions: FCC Statement of Compliance

This equipment has been tested and found to comply with the limits for a Class B digital device, pursuant to part 15 of the FCC Rules. These limits are designed to provide reasonable protection against harmful interference in a commercial/residential installation. This equipment generates, uses and can radiate radio frequency energy and, if not installed and used in accordance with the instructions, may cause harmful interference to radio communications. However, there is no guarantee that interference will not occur in a particular installation. If this equipment does cause harmful interference to radio or television reception, which can be determined by turning the equipment off and on, the user is encouraged to try to correct the interference by one or more of the following measures:

- Reorient or relocate the receiving antenna.
- Increase the separation between the equipment and receiver.
- Connect the equipment into an outlet on a circuit different from that to which the receiver is connected.
- Consult the dealer or an experienced radio/TV technician for help.

CAUTION! Do not modify device. Any changes or modifications made to device that is not expressly approved by nVent could void EMC compliance.

Innovation, Science and Economic Development (ISED) Canada
ICES-003 Compliance Label: CAN ICES-3 (B)/NMB-3(B)

1.3 Product ratings

General

Area of use	Nonhazardous locations
Approvals	UL Listed for fire sprinkler systems (VGNJ, VGJN 7)



5XLE1-CR, CT	8XLE1-CR, CT
5XLE2-CR, CT	8XLE2-CR, CT

Supply voltage	120 V to 277 V, +/-10%, 50/60 Hz Common supply for controller and heat-tracing circuit
Enclosure	
Protection	TYPE 12
Materials	Polycarbonate
Ambient operating temperature range	32°F to 105°F (0°C to 40°C)
Ambient storage temperature range	-4°F to 122°F (-20°C to 50°C)
Relative humidity	0% to 95%, noncondensing
Control	
Relay type	Double pole single throw
Voltage, maximum	277 V nominal, 50/60 Hz
Switching current, maximum	24 A @ 105°F (40°C)
Control algorithms	EMR: Ambient On/off, proportional ambient sensing control (PASC), Line sensing
Control range	32°F to 105°F (0°C to 40°C)
Monitoring	
Temperature	Low range -40°F to 190°F (-40°C to 88°C) or OFF High range 32°F to 190°F (0°C to 88°C) or OFF
Ground fault	Supervisory range 20 mA to 200 mA Trip range 20 mA to 200 mA
Current	Low condition 0.25 A
Temperature Sensor Inputs	
Quantity	Two inputs standard
Types	Thermistor 2 K Ω /77°F (25°C), 2 Wire 10 ft (3 m) long, can be extended to 328 ft (100 m) / 2 x 16 AWG Note: To reduce the likelihood that electrical noise will affect temperature measurement, keep extension wires as short as possible. It is recommended to use the shielded cable for sensor extensions. Shield of the cable can be terminated to the PE terminal.
Sensor temperature range	-40°F (-40°C) to 194°F (90°C)

Sensor data	Temperature (°F)	Resistance (KΩ)
	-40	32.34
	-31	24.96
	-22	19.48
	-13	15.29
	-4	12.11
	5	9.655
	14	7.763
	23	6.277
	32	5.114
	41	4.188
	50	6.454
	59	2.862
	68	2.387
	86	1.684
	104	1.211
	122	0.8854
	140	0.6587
	158	0.4975
	176	0.3807

Supervisory Output

Supervisory relay	Single pole double throw relay, volt-free, rating 1 A/24 VDC, 1 A/24 VAC
-------------------	--

Programming and Setting

Method	Programmable touchscreen
Units	Imperial (°F, in.) or Metric (°C, mm)
Touchscreen display	Setpoint, status, sensor temperatures, supervisory condition, settings
Memory	Nonvolatile, restored after power loss
Stored parameters (measured)	Last event, maintain temperature, last event sensor temperatures, control mode
Supervisory conditions	Low/high temperature, low current* Ground fault condition, trip* Sensor failure, or EMR failure Loss of continuity Loss of incoming supply voltage
Other	Password protection

Connection Terminals

Power supply input	Push-in Cage Clamp 18–10 AWG
Heating cable output	Push-in Cage Clamp 18–10 AWG
Ground	Push-in Cage Clamp 18–10 AWG
Sensors/supervisory relay	Push-in Cage Clamp 22–16 AWG

Mounting


Enclosure	Mounting DIN Rail 35 mm (Indoor only)
-----------	---------------------------------------

***Note:** The 465 controller can't monitor the load current and ground fault current in each cable segment when an external contactor is used. These supervisory conditions are disabled when external contactor is used.

2. INSTALLATION AND WIRING

2.1 Introduction

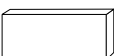
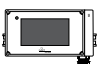








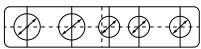
This section includes information regarding the initial inspection, preparation for use, and storage instructions for the 465 controller.

 **Note:** If the 465 controller is used in a manner not specified by nVent Thermal Management, the protection provided by the controller may be impaired.



2.2 Initial inspection

Inspect the shipping container for damage. If the shipping container or cushioning material is damaged, it should be kept until the contents of the shipment have been verified and the equipment has been checked mechanically and electrically. If the shipment is incomplete, there is mechanical damage, a defect, or the controller does not pass the electrical performance tests, notify the nearest nVent Thermal Management representative. If the shipping container is damaged, or the cushioning material shows signs of stress, notify the carrier as well as your nVent Thermal Management representative. Keep the shipping materials for the carrier's inspection.

Product Contents:

	 1x	 1x	 2x
	 2x M20; 2x M20	 1x	 1x
	 1x	 2x 2x	 1x
 1x			

Tools Required:

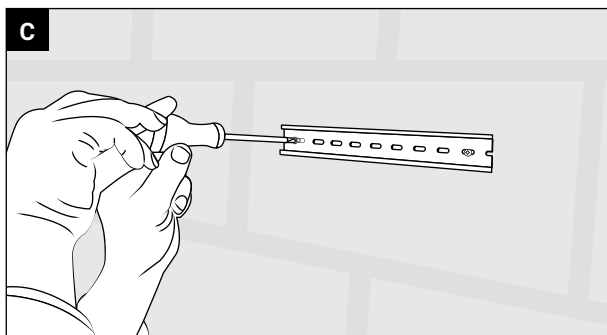
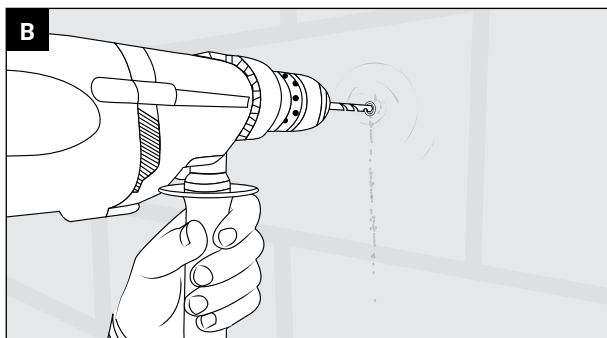
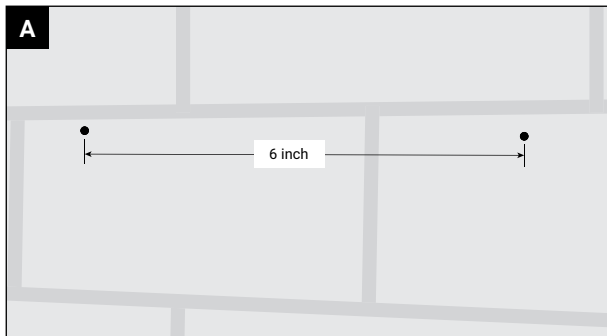
			
---	---	---	---

2.3 Installation location

The 465 controller standalone version is approved for TYPE 12 protection class for Indoor-use. Install the controller in an indoor, dry, clean, accessible location. Make sure you install the controller within 328 ft (100 m) of where you want to monitor the pipe or ambient temperature. The ambient temperature sensor shall be installed in the location representative of the ambient temperature of the fire sprinkler system, including elevation. Considerations should include accessibility for maintenance and testing and the location of existing conduits.

2.4 Mounting procedures

The mounting steps are shown in Figure 2.1 A, B, C and D. Drill conduit entry holes prior to mounting. Conduit entries should be made in the bottom of the enclosure if possible to reduce the possibility of water entry from condensation or leakage. Conduit entries must be drilled or punched using standard industry practices. Use bushings suitable for the environment and install such that the completed installation remains waterproof. Grounding hubs and conductors must be installed in accordance with Article 250 of the National Electrical Code and Part I of the Canadian Electrical Code. The hubs shall be connected to the conduit before they are connected to the enclosure.



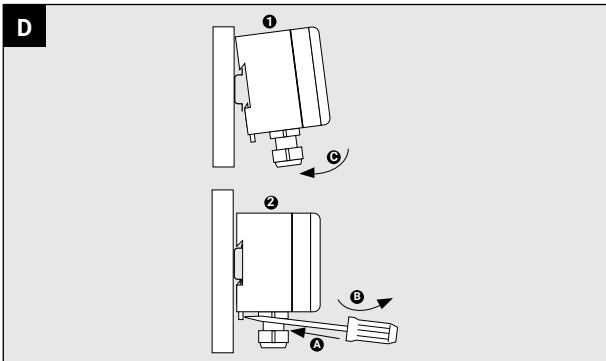


Figure 2.1 Mounting procedures for the 465 controller

2.5 Wiring

The following drawings provide sample wiring diagrams for the 465 controller and optional accessories. Grounding hubs and conductors must be installed in accordance with Article 250 of the National Electrical Code and Part I of the Canadian Electrical Code.

2.5.1 Power and Load Connections

The 465 controller may be powered directly from a 120 V to 277 V supply. All of the power terminals are labeled for easy identification. Do not attempt to use wire sizes that exceed the marked terminal ratings and avoid terminating two wires on the same terminal whenever possible.



Note: Follow the industry standard grounding practices. Do not rely on conduit connections to provide a suitable ground. Grounding terminals/screws are provided for connection of system ground leads. The glands/conduits should be inserted into the metal grounding plate provided with the controller.

Power wires are connected to terminals labeled L (line), N (neutral) and PE (Ground).

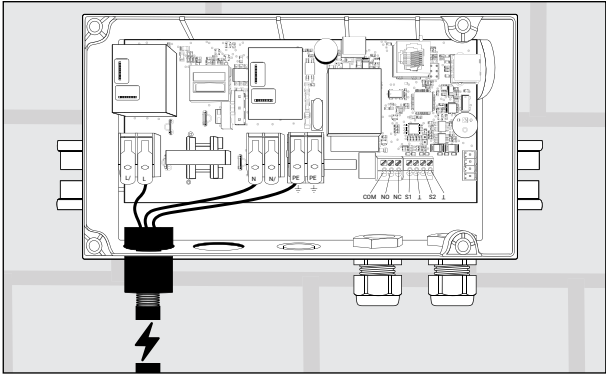


Figure 2.2 Power connection

The heating cable conductors are connected to terminals labeled L/, N/ and the braid is connected to PE.

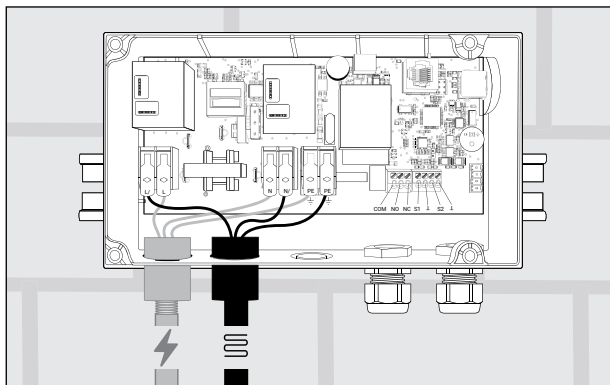


Figure 2.3 Heating cable connection

2.5.2 Temperature Sensor and Extension Cables

The 465 controller has two (2) temperature sensor inputs. Use only 2-wire Thermistor 2 K Ω / 77°F (25°C) sensors provided. Sensor 1 should be connected to terminals S1 and \perp while Sensor 2 should be connected to terminals S2 and \perp . The controller also operates with just one sensor.

Note: The ambient temperature sensor shall be installed in the location representative of the ambient temperature of the fire sprinkler system including elevation.

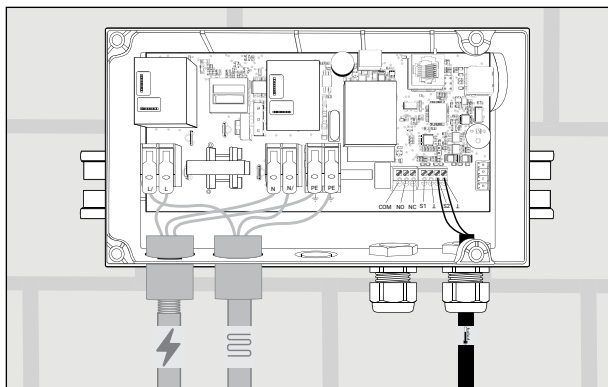


Figure 2.3 Temperature sensor wiring

2.6 Supervisory relay connections


The 465 controller includes terminals for one supervisory relay as shown in figure 2.5. It can support both AC and DC power source (please refer to the max voltage and current specifications for the relay above). It may be wired for normally open (N.O.) or normally closed (N.C.) operation.

The contractor shall connect the supervisory indicator to NO, COM to have the relay signal a supervisory condition when it's open. In normal operation the NO contact is closed. In case of power loss or supervisory condition the NO contact is open.

The contractor shall connect the supervisory indicator to NC, COM to have the relay signal a supervisory condition when it's closed. In normal operation the NC contact is open. In case of power loss or supervisory condition the NC contact is closed.

The supervisory relay is used to provide supervisory signal to a fire alarm system for any of the following conditions:

1. Ground fault current
2. Low system temperature
3. High system temperature
4. Temperature sensor failure
5. Internal error
6. Loss of continuity
7. Loss of incoming supply voltage

 **Note:** The supervisory relay is intended to be used for switching low-voltage, low-current signals. Do not use this relay to directly switch line voltages.

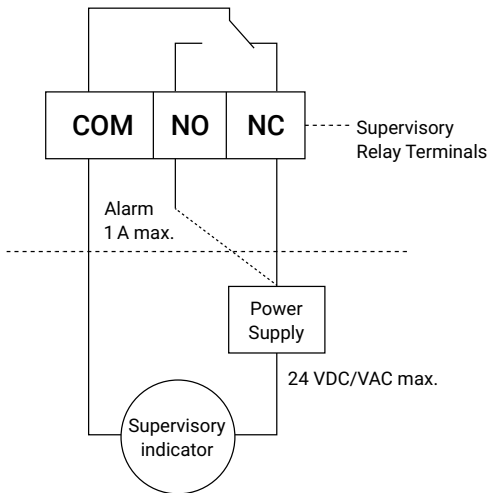


Figure 2.5 Supervisory relay wiring

After all connections are made, connect the network cable from the touchscreen to the port on the controller as shown below:

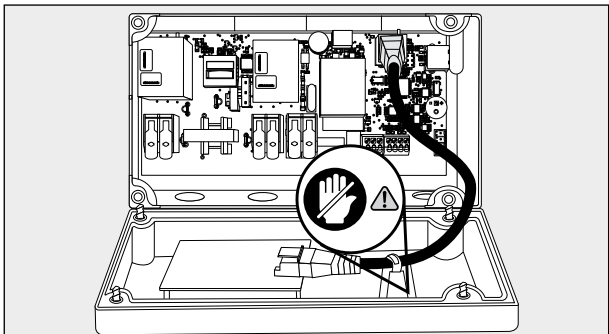


Figure 2.6 Connect the touchscreen cable to the controller.

Close the lid with screwdriver and turn on the circuit breaker for the circuit. The circuit breaker used for branch circuit protection should be maximum 30 A circuit breaker. The power wires used should be of appropriate size for the current rating as per NEC/CEC.

2.6.1 Short Cables Length Handling

During quickstart, the controller checks the current flow after a short period of time. If the current flow is below the detection limit, the user will be asked whether contactor mode should be activated or whether short heating cables should be used (which deactivates the current monitoring of the output, low current alarm will be disabled).

2.7 Initializing the controller

2.7.1 Initial Heating Cable Test


To minimize the risk of damage to the controller due to a heating cable fault, the integrity of the heating cable should be verified by performing the commissioning tests detailed in the appropriate product installation and operating manual. These manuals can be found on nVent.com.

These tests must be performed with the controller output disconnected. Once the cable has been checked, it may be reconnected to the controller and power applied.

2.7.2 Connection to the fire alarm panel test

To test the connection to the fire alarm panel, 3 options are available:

1. Disconnect the circuit on the electrical panel, causing a loss of power.
2. Disconnect the sensor from the 465, creating a failure alarm.
3. Change the settings until the alarm is triggered.

 **Note:** When selecting option 2 or 3, make sure that everything is reconnected or that all settings have been done correctly.

3. 465 CONTROLLER OPERATION

3.1 Quickstart

When the unit is powered up for the first time, a Quickstart must be executed before the unit is ready to start. The Quickstart helps to set all important settings, the unit will go in main screen mode automatically when done. Quickstart is sufficient for normal operations. More settings are available from the settings menu.

Quickstart menu

Language	Select your language from the language menu.
Contactor mode / short heating cables	During quickstart, the controller checks the current flow after a short period of time. If the current flow is below the detection limit, the user will be asked whether contactor mode should be activated or whether short heating cables should be used (which deactivates the current monitoring of the output).
Units	Select Imperial or Metric units

Connection check	<p>The unit is automatically executing a connection check. It will check the heating cable connection, ambient sensor and pipe sensor connection. A connection of the unit to an external contactor needs to be confirmed by the user.</p> <p>⚠ Warning: The 465 controller can't monitor the load current and ground fault current in each cable segment when an external contactor is used. External ground fault protection must be provided using appropriate GFEPD.</p>	
Country	Select a country in this menu.	
Date	Use the up/down arrow keys to select the year, month and day.	
Time	Use the up/down arrow keys to set the hour and minute.	
Voltage	Select voltage.	
Cable Type	Select heating cable used in the application.	
Sensors Set-up	<p>Setting up Sensors 1 and 2 is fully flexible. Assign each sensor to be a line or ambient sensor. Select if you want the circuit to remain on if the given sensor fails by clicking "Power On TS Fail". Select which sensor you would want to use for high limit cutout. Make sure Sensor 1 is connected to terminals S1 and L.</p>	
	Fine tune the individual sensor settings in the parameters setting menu.	
	If only one sensor is used, leave the other sensor settings blank.	
Control Mode	<p>This allows selection of the type of algorithm to be used to maintain the setpoint temperature. Select Ambient On/Off, PASC (Proportional Ambient Sensing Control) or Line Sensing Control. If no ambient or line sensor was assigned, the corresponding control mode will be disabled.</p>	
Parameter Settings	Setpoint	<p>This is the temperature that the controller uses to determine whether its output switch should be On or Off.</p> <p>Range: 32°F (0°C) to 104°F (40°C)</p>
	Pipe Diameter	Select the appropriate pipe diameter from the menu.
	Low Temperature	<p>This allows the user to set the low temperature setting for temperature sensor 1 and 2.</p> <p>Range: -40°F (-40°C) to 190°F (88°C) Default: 35°F (2°C)</p>
	High Temperature	<p>This allows the user to set the high temperature setting for temperature sensor 1 and 2.</p> <p>Range: 32°F (0°C) to 190°F (88°C) Default: 110°F (43°C)</p>

Start Test Program

The test program runs for 30 minutes, during which all parameters will be ignored to check heating cable and connection on site. You can stop the test program at any time.

Key Lock

Key lock gets activated after the quick start process. Please enter the passcode 3000 to unlock the controller.

After QUICKSTART completion, the main menu screen will appear as follows:

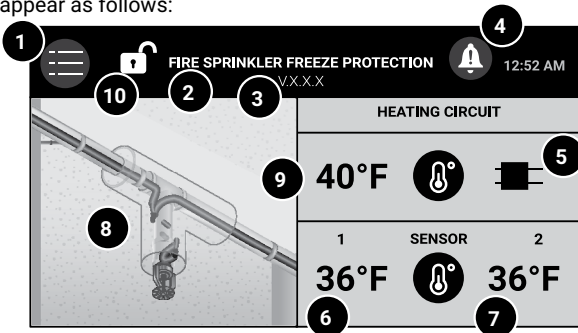


Figure 3.1 Main menu screen

1	Settings Button
2	Application Description
3	Firmware Version
4	Supervisory Event Indicator
5	Heat Cable Power Indicator (red when cable is powered)
6	Sensor 1 Measured Temperature
7	Sensor 2 Measured Temperature
8	Application Picture
9	Control Setpoint
10	Keylock Indicator

The Green LED will blink as follows:

- Normal operation, heater on: 1.5 sec on/0.5 sec off
- Normal operation, heater off: 1 sec on/ 1 sec off
- Supervisory condition: 0.2 sec on/1.8 sec off

Press the Settings button on the Main Menu Screen to get to the Settings Menu.

3.2 Settings menu

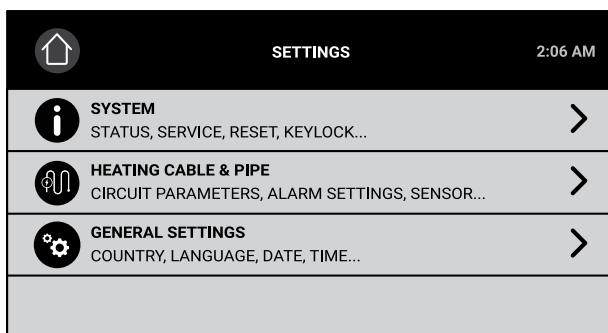


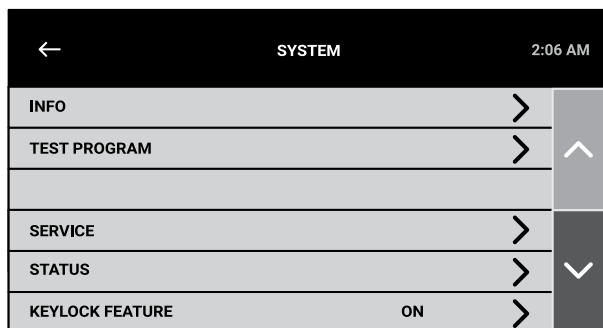
Figure 3.2 Settings menu

The settings menu has three sections:

1. The System section allows you to read system information, run test program, service the system such as upgrade the firmware, export event log/energy consumption/temperatures or calibrate the screen, read status of the heat tracing circuit, enable key lock, assign device ID and reset the system to factory settings.
2. The Heating Cable and Pipe section allows you to set circuit parameters such as control mode, set point, sensors, minimum ambient temperature, temperature conditions and filters and ground fault settings.
3. The General settings enables you to select country, language, voltage, date, time, and units.

The details of each section are provided on the next page.

3.3 System menu



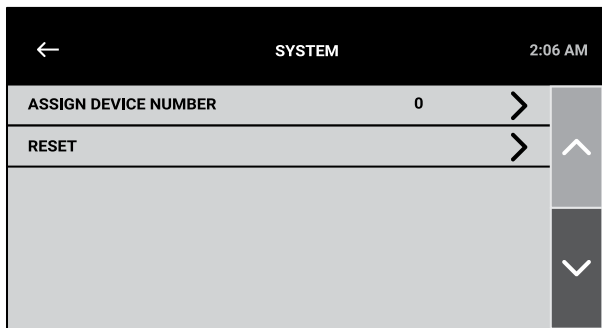


Figure 3.3 System menu

3.3.1 Info

Purpose General info about the unit, name, commissioning date, firmware version, nVent Thermal Management contact info per country.

3.3.2 Test Program

Purpose The test program runs for 30 minutes, during which all parameters will be ignored to check the heating cable and the connection on site. You can stop the test program at any time.

3.3.3 Service

Purpose This is a password protected area for user to service the unit. The default password is 2017.

Sub-menu includes:

Log File: Provides information about the warnings, last event, control mode, heating cable, set point, ambient temperatures measured and time stamp.

Calibrate Screen: Press the dot to calibrate the touch screen.

USB: USB drive can be used to upgrade the firmware, export temperature, energy consumption, and event log data.

Energy Consumption: Displays the energy consumption chart over time.

Select Power Adjustment: For Proportional Ambient Sensing Control (PASC), Power Adjustment Factor can be selected. The Range is from 10% to 200%. Default is 100%.

3.3.4 Status

Purpose Displays the status and parameters for the heat tracing circuit. Displays information such as sensor 1 and sensor 2 temperatures, duty cycle, control mode, load current, GFP current and if the external contactor is connected.

3.3.5 Keylock Feature

Purpose When key lock is “On”, the setup and timer menus are protected by password. To unlock the unit, enter the predefined password (3000). The unit will automatically lock itself after 10 minutes of inactivity or when Lock “On” key is pressed.

Factory default: Key lock is “On”

Press the down arrow key to move to the next page of the System Menu

3.3.6 Assign Device Number

Purpose Assign a 4 digit number to each device as an identifier for that device.

3.3.7 Reset

Purpose To provide a quick method of resetting the controller’s configuration parameters to the Factory Default parameters. Select “Yes” to activate the Quick install menu and return all settings to factory settings. Quick start process restarts automatically.

3.4 Heating cable and pipe menu

HEATING CABLE & PIPE		2:07 AM
SENSOR SETUP	SENSOR 1/SENSOR 2	>
CONTROL MODE	AMBIENT ON/OFF	>
SETPOINT	38°F	>
DEADBAND	2°F	>
MINIMUM EXPECTED AMBIENT TEMP.	5°F	>
CABLE TYPE XL-TRACE	8XL2-CR/CT	>

HEATING CABLE & PIPE		2:07 AM
PIPE DIAMETER	2.5+ IN	>
LOW TEMPERATURE ALARM	14°F / 14°F	>
HIGH TEMPERATURE ALARM	180°F / 180°F	>
TEMPERATURE ALARM FILTER	10 S / 10 S	>
HIGH LIMIT CUTOUT TEMPERATURE	185°F / 185°F	>
GROUND FAULT LEVELS	20 MA / 30 MA	>

Figure 3.4 Heating cable and pipe menu

In this menu, every parameter line shows the actual value/attribute for each parameter.

3.4.1 Sensor Setup

Sensor setup allows user full flexibility in configuring the temperature sensors as shown in Figure 3.5 below:

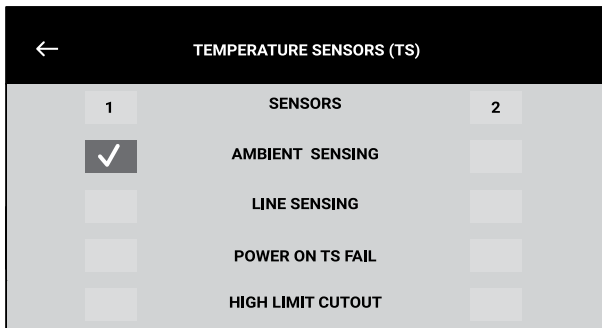




Figure 3.5 Sensor setup

The 465 controller allows for two temperature sensors. Assign each sensor to be a line or ambient sensor. If both the sensors are assigned as line or ambient sensors, the controller will control based on the lower measured temperature of the two sensors. Select if you want the circuit to remain on if the given sensor fails by clicking "Power On TS Fail". Select which sensor you would want to use for high limit cutout. Make sure Sensor 1 is connected to terminals S1 and \perp .

For Fire Sprinkler freeze protection application, usually one sensor will be ambient sensor and second sensor will be line sensor with high limit cutout enabled. The high limit cutout sensor should be located where the fire sprinkler piping is expected to be the warmest. In the case of sprinkler system with sprigs, the high limit cutout sensor should be located on one of the sprigs.

At least one sensor needs to be connected for the controller to function. The second sensor, if not connected, will be automatically disabled.

 **Note:** The high limit cutout sensor should be located where the fire sprinkler piping is expected to be the warmest.

 **Note:** "High Limit Cutout" feature turns the circuit off when the corresponding sensor reaches the high limit cutout temperature. This feature has a higher priority over the "Power On TS Fail" feature. In other words, the circuit in high limit cutout condition will remain powered off until that condition goes away and the TS Fail condition won't power the circuit on.

3.4.2 Control Mode

Purpose Sensor setup allows user full flexibility in configuring the temperature sensors as shown in figure 3.5 above:

Setting Ambient On/Off Mode: Ambient sensor measures the ambient temperature. If the ambient temperature is above the setpoint temperature plus deadband, the relay output is turned off. If the ambient temperature is below the setpoint temperature, the output is turned on.

Line Mode: Line sensor measures the line temperature. If the line temperature is above the setpoint temperature plus deadband, the relay output is turned off. If the line temperature is below the setpoint temperature, the output is turned on.

PASC: Ambient sensor measures the ambient temperature. The PASC algorithm auto controls the heat output and maintains the temperature at the setpoint.

Algorithm will be derived from the following of parameters:

- Setpoint: 32°F – 104°F (default 40°F)
- Minimum Expected Ambient Temperature : -40°F – 40°F (default 20°F)
- Pipe Size: 0.5" / 1" / >2" (default 0.5")
- Power Adjustment Factor: 10% – 200% (default 100%)

For more details on PASC please refer to Appendix A.



Note: "Power On TS Fail" feature turns the circuit On if the controlling temperature sensor fails. E.g. in line sensing control mode, the "Power On TS Fail" won't trigger for the ambient sensor failure and vice versa.

3.4.3 Setpoint

Purpose This is the temperature that the controller uses to determine whether its output switch should be on or off.

Setting/Range 32°F to 104°F (0°C to 40°C)

Factory Default 40°F (4°C)

3.4.4 Deadband

Purpose The deadband is a window of difference between the measured control temperature and the desired control setpoint temperature and provides the decision to turn the output off or on

Setting/Range 1°F to 8°F (1°C to 4°C)

Factory Default 5°F (3°C)

3.4.5 Minimum Expected Ambient Temperature

Purpose This is the minimum expected ambient temperature which will be used to calculate the duty cycle for proportional ambient sensing control mode

Setting/Range -40°F to 40°F (-40°C to 4°C)

Factory Default 20°F (-7°C)

3.4.6 Cable Type

Purpose Select the type of cable for the heat tracing circuit

3.4.7 Pipe Diameter

Purpose Select the pipe diameter for the heat tracing circuit

Setting/Range 0.5 inch, 1.0 inch, 2.5+ inch

Factory Default 0.5 inch

3.4.8 Low Temperature

Purpose This allows the user to select the low temperature supervisory for both the sensors

Setting/Range -40°F to 190°F (-40°C to 88°C)

Factory Default 35°F (2°C)

3.4.9 High Temperature

Purpose This allows the user to select the low temperature supervisory for both the sensors

Setting/Range 32°F to 190°F (0°C to 88°C)

Factory Default 110°F (43°C)

3.4.10 High Limit Cutout Temperature, Setpoint

Purpose Set high limit cutout temperature for the selected Sensor (in the sensor set-up). This setpoint is used to turn the circuit off when the sensor reaches the high limit cutout temperature.

Setting/Range 32°F to 190°F (0°C to 88°C)

Factory Default 185°F (85°C)

3.4.11 Temperature Condition Filter

Purpose Set time delay filter for temperature condition

Setting/Range 1 to 200 seconds

Factory Default 10 seconds

3.4.12 High Ground Fault Current


Purpose This allows the user to set the ground fault current supervisory level. Exceeding this limit will trigger the supervisory event to indicate that a ground fault condition exists in the heating cable circuit. To protect against the risk of fire or shock, ground fault level should be set at the lowest level possible to allow normal operation of the cable.

Setting/Range 20 mA to 200 mA **Factory Default** 20 mA

Supervisory event time delay filter is factory set as immediate

3.4.13 Ground Fault Trip Level (HI GF Trip)

Purpose This allows the user to set the ground fault current trip level. Exceeding this limit will result in the output switch being latched off and the ground fault level trip supervisory activated to indicate a ground fault condition.

 **WARNING:** Fire Hazard. Ground fault trip supervisory must not be ignored. To prevent the risk of fire, do not re-energize heating cables until the fault is identified and corrected.

Setting/Range 20 mA to 200 mA

Factory Default 30 mA

3.5 General settings menu

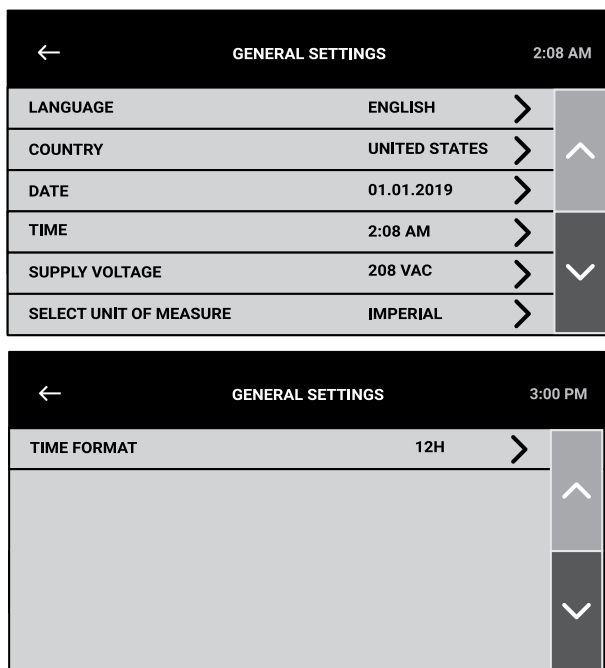


Figure 3.6 General Settings Menu

3.5.1 Language

Select English or French

3.5.2 Country

Select USA or Canada

3.5.3 Date

Use the up/down arrow keys to select the year, month and day

3.5.4 Time

Use the up/down arrow keys to set the hour and minute

3.5.5 Voltage

Select appropriate voltage for the application

3.5.6 Select Unit of Measure

Select Imperial or Metric units

3.5.7 Time Format

Select 24H (24 hour) or 12H (12 hour) time format

3.6 Supervisory events

3.6.1 Filter Times

Supervisory Type	Factory Default	Range
Low Temperature	10 seconds	1 to 200 seconds
High Temperature	10 seconds	1 to 200 seconds
Low Current	3 seconds	
High Ground Fault Supervisory	Immediate	
High Ground Fault Trip	Immediate	
Switch Failure	Immediate	
Sensor Failure	10 seconds	
Loss of Incoming Power	Immediate	
Internal Error	Immediate	
Plausibility Check	10 seconds	
High Limit Cutout Temperature	Immediate	

3.6.2 Error Codes

The following are the error codes for different condition and their description.

Error No.	Label	Description
E:1.1	SENSOR1_OPEN	Sensor 1 open
E:1.2	SENSOR1_SHORT	Sensor 1 shorted
E:1.3	SENSOR2_OPEN	Sensor 2 open
E:1.4	SENSOR2_SHORT	Sensor 2 shorted
E:2.1	SENSOR1_TEMP_HIGH	High temperature supervisory Sensor 1
E:2.2	SENSOR2_TEMP_HIGH	High temperature supervisory Sensor 2
E:2.3	SENSOR1_TEMP_HIGH_CUTOUT	High limit cutout supervisory Sensor 1
E:2.4	SENSOR2_TEMP_HIGH_CUTOUT	High limit cutout supervisory Sensor 2
E:3.1	SENSOR1_TEMP_LOW	Low temperature cutout supervisory Sensor 1
E:3.2	SENSOR2_TEMP_LOW	Low temperature cutout supervisory Sensor 2
E:4.1	LOW_CURRENT	Low current
E:5.1	GROUND_FAULT	Ground fault trip
E:5.2	HIGH GROUND FAULT CURRENT	Ground fault current supervisory
E:6.1	INTERNAL_ERROR	Internal error - replace unit. When reporting this error, provide the exact error number.
E:6.2	INTERNAL_ERROR	Internal error - replace unit. When reporting this error, provide the exact error number.

Error No.	Label	Description
E:6.3	INTERNAL_ERROR	Internal error - replace unit. When reporting this error, provide the exact error number.
E:6.4	INTERNAL_ERROR	Internal error - replace unit. When reporting this error, provide the exact error number.
E:6.5	INTERNAL_ERROR	Internal error - replace unit. When reporting this error, provide the exact error number.
E:6.6	INTERNAL_ERROR	Internal error - if you are using low noise, humfree contactor, replace it with the non-humfree contactor. If this does not help, then replace unit. When reporting this error, provide the exact error number.
E:8.1	PLAUSIBILITY_CHECK_ERROR	Plausibility of Voltage <-> Cable type selection or Control mode <-> Sensor setup

4. TROUBLESHOOTING

The 465 controller may be used as an effective troubleshooting tool to pinpoint problem areas of heating cable circuits. Described below are a few of the more common problem areas, their symptoms, and parameters to check to determine the actual faulty portion of the heating cable circuit.

Symptom/ Supervisory Condition	Probable Cause	Corrective Action
Sensor failure	Sensor is not a 2-wire NTC Thermistor.	Install correct sensor.
	Damaged sensor or extension cable.	Install new sensor and/or cable.
	Incorrectly wired.	Re-install sensor connections.
Seemingly incorrect temperature	Incorrect sensor used.	Install correct sensor.
	Damaged TEMPERATURE SENSOR or connection cable.	Install new temperature sensor and/or cable.
	465 controller not functioning correctly.	Verify correct reading input. Connect a 2 KΩ resistor across S1_L or S2_L terminals. Apply power to the controller. The indicated or displayed temperature should be about 77°F (25°C).

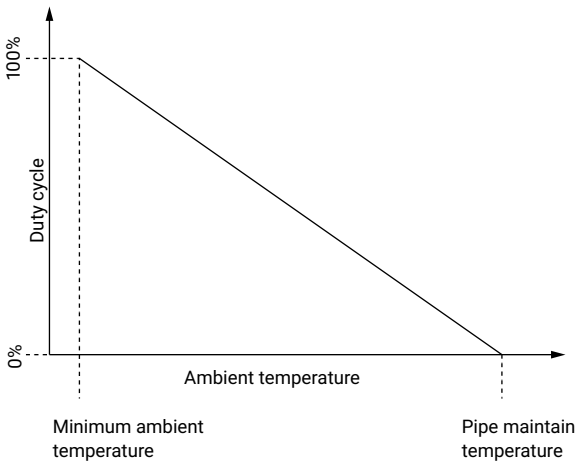
Symptom/ Supervisory Condition	Probable Cause	Corrective Action
Unstable or bouncing temperature	Bad, damaged or incorrectly installed temperature sensor extension wire.	Wire used for extension of the temperature sensor should be two-wire. Each of the two lead wires must be of the same gauge.
	Terminal connections are not tight.	Verify tightness of connections.
	temperature sensor or extension cable damaged.	Install new temperature sensor and/or cable
High temperature	Temperature setting too close to maintain temperature.	Increase setting.
	Flow of hot water through pipe.	
	Line Temperature sensor too close to the heating cable on pipe.	Install line temperature sensor on the opposite side of the heating cable on pipe.
	Incorrect heating cable wiring.	Verify heating cable wiring.
Low temperature	Temperature setting too close to maintain temperature.	Decrease setting.
	Heating cable not sized properly for the application.	Refer to the appropriate heating cable design guide for correct product selection.
	Damaged, wet, or missing thermal insulation.	Replace or install correct thermal insulation.
Temperature sensor failure	Incorrect or damaged field wiring.	Re-install temperature sensor connections.
	Damaged temperature sensors.	Install correct temperature sensor.

Symptom/ Supervisory Condition	Probable Cause	Corrective Action
Ground fault	Incorrect installation, wet system components or damaged cables.	Perform heating cable commissioning tests outlined in the heat cable operation manuals.
	Incorrect neutral return wiring.	Check that the heating cable circuit neutrals return to the controller and are not connected directly to the distribution panel.
	Setting too close to normal leakage current.	Ground fault level should be set at the lowest level possible, but high enough to allow normal operation of the cable.
<p>⚠ WARNING: Fire Hazard. Ground fault trip supervisory must not be ignored. To prevent the risk of fire, do not re-energize heating cables until the fault is identified and corrected.</p>		
Low current	Low or no source voltage.	Verify correct power distribution.
	Damaged or inoperative heating cable.	Repair or replace heating cable.
	Open connection—wiring problem.	Verify correct power distribution wiring.
	Contactors failed open.	Replace or repair controller.
Switch failure	Output switch has failed “closed”.	Replace or repair controller.
Seeing 3 dots, one by one, on the screen	Pushing the screen for 30 seconds causes controller to enter screen calibration mode (it can be triggered also from the service menu)	All 3 dots have to be pressed one by one for calibration before jumping back to the main screen

5. APPENDIX A: PROPORTIONAL AMBIENT SENSING CONTROL (PASC)

PASC takes advantage of the fact that the heat loss from a pipe is proportional to the temperature difference between the pipe and the ambient air. This is true regardless of heating cable, insulation type, or pipe size. Once the heat tracing and insulation on a pipe has been designed to balance heat input with heat loss and maintain a particular temperature, the main variable in controlling the pipe temperature becomes the ambient air temperature.

The 465 controller has a control algorithm that uses the measured ambient temperature, desired maintain temperature, minimum ambient temperature assumption used during design, and size of the smallest pipe diameter to calculate how long the heating cable should be on or off to maintain a near-constant pipe temperature. The power to the heat tracing is proportioned based upon on the ambient temperature. If the ambient temperature is at or below the "minimum design ambient plus 3°F" the heating cable will be on 100%. If the measured ambient is at or above the "maintain temperature - 3°F" the heating cable will be on 0%. For any measured ambient between "minimum design ambient" and "maintain temperature," the heating cable will be on a percentage of the time equal to $(\text{maintain temperature} - \text{measured ambient}) / (\text{maintain temperature} - \text{minimum design temperature})$.



Following parameters are used in calculating the duty cycle in PASC:

Setting	Range	Factory Default
Pipe Size (inch):	½, 1 or, ≥ 2	½-
Setpoint:	32 to 104°F (0 to 40°C)	40°F (4°C)
Min. Expected Ambient Temperature:	-40 to 40°F (-40 to 4°C)	20°F (-7°C)
Power Adjust Factor:	10 – 200%	100%

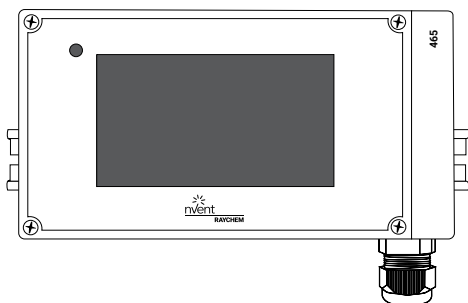


RAYCHEM

Contrôleur 465

(Version du micrologiciel 1.1.4
ou supérieure)

- CF Unité de contrôle électronique pour les systèmes de traçage de gicleurs d'incendie
Manuel d'installation, d'utilisation et d'entretien



1.	Vue D'ensemble	35
1.1	Introduction	35
1.1.1	Systèmes de traçage thermique pour systèmes de gicleurs	35
1.2	Description De La Vue D'ensemble Du Produit	36
1.2.1	Caractéristiques	37
1.3	Classement Des Produits	39
2.	Installation et Câblage	42
2.1	Introduction	42
2.2	Première Inspection	43
2.3	Emplacement De L'installation	43
2.4	Procédures De Montage	43
2.5	Câblage	45
2.5.1	Connexions d'alimentation et de charge	45
2.5.2	Capteur de température et câbles d'extension	46
2.6	Bornes de relais de supervision	47
2.6.1	Manipulation des câbles courts	48
2.7	Initialisation Du Régulateur	49
2.7.1	Test initial du câble chauffant	49
2.7.2	Connexion au test du tableau d'alarmes d'incendie	49
3.	Fonctionnement du Régulateur 465	50
3.1	Démarrage Rapide	50
3.2	Menu Réglages	52
3.3	Menu Système	53
3.3.1	Info	53
3.3.2	Programme de test	54
3.3.3	Service	54
3.3.4	Statut	54
3.3.5	Fonction de verrouillage	54
3.3.6	Attribuer un numéro à l'unité	55
3.3.7	Reset	55
3.4	Menu Ruban Chauffant Et Tuyau	55
3.4.1	Paramètre du capteur	56
3.4.2	Mode de contrôle	57
3.4.3	Point de consigne	57
3.4.4	Zone morte	58
3.4.5	Température ambiante minimum	58
3.4.6	Type de câble	58
3.4.7	Diamètre tuyauterie	58

3.4.8	Basse température	58
3.4.9	Température élevée	58
3.4.10	Haute température cutout, température à maintenir	59
3.4.11	Filtre de condition de température	59
3.4.12	Courant élevé de défaut à la terre	59
3.4.13	Niveau de déclenchement de défaut à la terre (Déclenchement DT élevé)	59
3.5	Menu Réglages Général	60
3.5.1	Langue	60
3.5.2	Pays	60
3.5.3	Date	60
3.5.4	Heure	60
3.5.5	Tension	60
3.5.6	Sélectionner unité de mesure	60
3.5.7	Format de temps	60
3.6	Événements de supervision	61
3.6.1	Filtre de temporisation	61
3.6.2	Codes d'erreur	61
<hr/>		
4.	Dépannage	62
<hr/>		
5.	Annexe A : Régulation Proportionnelle Selon la Température Ambiante (PASC)	65

1. VUE D'ENSEMBLE

1.1 Introduction

Ce manuel fournit des informations relatives à l'installation, au fonctionnement, aux essais et à la maintenance du régulateur de traçage thermique nVent RAYCHEM 465 pour systèmes de gicleurs. Le régulateur est homologué c-UL-US pour la protection contre le gel des conduites d'alimentation et des lignes de dérivation du système d'extinction d'incendie.

Des copies supplémentaires de ce manuel d'utilisation peuvent être commandées séparément auprès de votre représentant nVent Thermal Management ou en ligne à l'adresse nVent.com.

Ce document porte sur le régulateur 465 et les options disponibles. Ce régulateur de traçage thermique pour systèmes de gicleurs est conçu pour les produits de traçage thermique suivants faisant partie d'un système complet de protection contre le gel pour les conduites d'alimentation et les lignes de dérivation, y compris les têtes de gicleurs : nVent RAYCHEM Câble XL-Trace Edge, 5XLE1-CR, 5XLE2-CR, 5XLE1-CT, 5XLE2-CT, 8XLE1-CR, 8XLE2-CR, 8XLE1-CT et les câbles chauffants 8XLE2-CT; trousse et accessoires de connexion nVent RAYCHEM Rayclic-PC, Rayclic-PS, Rayclic-PT, Rayclic-T, Rayclic-S, Rayclic-X, Rayclic-E, Rayclic-LE, Rayclic-SB-02, Rayclic-SB-04.

1.1.1 Systèmes de traçage thermique pour systèmes de gicleurs

La conception et la surveillance des systèmes de traçage thermique pour les systèmes de gicleurs doivent être conformes à la norme IEEE 515.1. Les systèmes de traçage thermique pour les systèmes de gicleurs doivent être connectés en permanence à une source d'alimentation. Si l'alimentation de secours est fournie pour les systèmes électriques du bâtiment, elle doit également fournir une alimentation de secours pour le système de traçage thermique.

L'isolation thermique utilisée pour la conduite d'alimentation et les lignes de dérivation doit être incombustible et protégée par un couvercle extérieur scellé incombustible qui maintiendra son intégrité lorsqu'il est exposé à une décharge d'eau, comme indiqué ci-dessous :

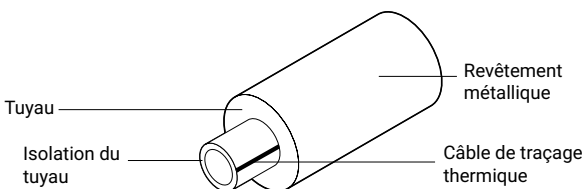
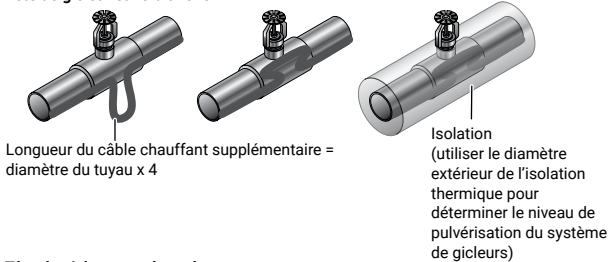


Figure 1.1 Exemple de couvercle extérieur scellé incombustible pour l'isolation du tuyau

L'isolation thermique pour les gicleurs doit être installée de manière à respecter les exigences en matière d'obstruction de la NFPA 13 afin que l'isolation thermique sur le traçage thermique n'obstrue pas de manière inacceptable le gicleur ou ne recouvre pas le bossage de la clé.

Lors de l'installation du système de traçage thermique XL-Trace Edge sur les lignes de dérivation avec têtes de gicleurs, suivez les méthodes ci-dessous :

Tête de gicleur sans branche



Tête de gicleur avec branche

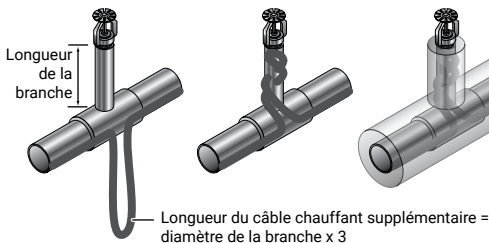


Figure 1.2 Installation du XL-Trace Edge sur les gicleurs

Les branches sont généralement des tuyaux IPS de 1 pouce avec une isolation thermique de 0,5 pouce d'épaisseur. L'isolation peut être surdimensionnée pour permettre l'installation du câble chauffant, pour un diamètre extérieur maximal installé de trois (3) pouces. Une isolation thermique de 2 pouces d'épaisseur doit généralement être utilisée sur les lignes de dérivation et la tuyauterie d'alimentation pour équilibrer la perte de chaleur du système et la puissance de sortie du dispositif de traçage thermique.

Pour les gicleurs verticaux uniquement, les têtes des gicleurs doivent être isolées jusqu'au haut de la douille de réduction avec un cône à 45° pour éviter toute obstruction du jet de pulvérisation, comme le montre la figure 14 de la norme IEEE 515.1-2012.

La température nominale minimale du gicleur doit être de (155 °C [68 °F]).

1.2 Description De La Vue D'ensemble Du Produit

Le régulateur 465 surveille, contrôle et communique les événements de supervision et les données pour un circuit de câble chauffant.

Le régulateur 465 vise à contrôler et à surveiller les circuits

de traçage thermique pour les systèmes de gicleurs. Chaque module comprend un régulateur à point unique avec écran tactile couleur de 5 pouces pour une configuration et une programmation intuitives prêtes à l'emploi. Le régulateur peut être utilisé en modes PASC ou détection de ligne/de température ambiante. Il mesure les températures avec deux thermistances bifilaires de 2 kOhm/77 °F (25 °C) connectées directement à l'unité. Le régulateur peut également mesurer le courant de défaut à la terre pour assurer l'intégrité du système. Si l'équipement est utilisé d'une manière non spécifiée par nVent Thermal Management, la protection fournie par l'équipement peut être compromise.

1.2.1 Caractéristiques

Une description détaillée des fonctions disponibles est présentée à la Section 4 de ce manuel.

Voici les principales caractéristiques fonctionnelles :

Écran tactile

L'écran tactile fournit à l'opérateur des messages et invites faciles à lire, ce qui élimine la programmation complexe et cryptée.

Entrées de capteur de température simple ou double

La possibilité d'utiliser une ou deux entrées de capteur de température permet de sélectionner les modes de commande de détection de ligne ou ambiante et de programmer tous les paramètres de température.

Température élevée et basse

Des événements de surveillance de température élevée et basse sont proposés pour les deux entrées de capteur de température.

Coupure de température élevée

Une coupure de température élevée est prévue pour les deux entrées de capteur de température.

Condition de courant faible

Le régulateur 465 offre une condition de courant faible pour identifier les situations où le câble de chauffage ne tire pas suffisamment de courant.

Sortie de relais électromécanique

Le régulateur 465 est équipé d'un commutateur de sortie à relais électromécanique de 24 A avec commutation d'état de supervision de défaillance de dispositif.

Condition de défaut à la terre et de déclenchement

Les niveaux de courant de défaut à la terre sont surveillés et affichés en milliampères (mA). Le niveau de défaut à la terre réglable permet à l'utilisateur de choisir les niveaux de courant de défaut à la terre adaptés à l'installation particulière.

Régulation proportionnelle selon la température ambiante (PASC)

Le régulateur 465 inclut le mode de régulation proportionnelle selon la température ambiante (PASC) pour optimiser l'efficacité énergétique du système de traçage thermique.

Défaillance du capteur de température

Les capteurs ouverts et court-circuités sont détectés par le régulateur.

Certification

nVent Thermal Management certifie que ce produit satisfait aux spécifications publiées au moment de l'expédition depuis l'usine.

Garantie limitée

Ce produit nVent Thermal Management est garanti contre les défauts de matériau et de fabrication pendant une période de 18 mois à compter de la date d'installation ou de 24 mois à compter de la date d'achat, selon la première éventualité. Pendant la période de garantie, nVent Thermal Management réparera ou remplacera, à sa discrétion, les produits qui s'avèrent défectueux. Pour un service ou une réparation sous garantie, ce produit doit être retourné à un centre de service désigné par nVent Thermal Management. L'acheteur doit payer les frais d'expédition à nVent Thermal Management et nVent Thermal Management doit payer les frais d'expédition pour retourner le produit à l'acheteur. Toutefois, l'acheteur devra payer tous les frais d'expédition, les droits, et les taxes applicables aux produits retournés à nVent Thermal Management depuis un autre pays. nVent Thermal Management garantit que le logiciel et le micrologiciel désignés par nVent Thermal Management pour être utilisés avec le régulateur 465 exécuteront correctement les instructions de programmation. nVent Thermal Management ne garantit pas que le fonctionnement du matériel, ou le logiciel, ou le micrologiciel sera ininterrompu ou sans erreur.

Déni de responsabilité/exclusion de garantie

La garantie qui précède ne s'applique pas aux défauts résultant d'une maintenance inappropriée ou inadéquate de la part de l'acheteur, du logiciel ou de l'interface fourni à l'acheteur, d'une modification non autorisée ou d'une mauvaise utilisation, d'une utilisation hors des spécifications du produit ou d'une installation incorrecte. Aucune autre garantie n'est expresse ou implicite. nVent Thermal Management décline les garanties implicites de qualité marchande et d'adéquation à un usage particulier.

Recours exclusifs

Les recours prévus dans le présent document sont les seuls recours de l'acheteur. nVent Thermal Management ne peut être tenu responsable de dommages directs, indirects, spéciaux, accessoires ou consécutifs, qu'ils soient fondés sur un contrat, un délit ou toute autre théorie juridique.

Émissions par conduction et rayonnement : Déclaration de conformité FCC

Cet équipement a été testé et déclaré conforme aux limites applicables aux appareils numériques de classe B, conformément à la partie 15 de la réglementation FCC. Ces limites sont conçues pour fournir une protection raisonnable contre les interférences nuisibles dans une installation commerciale/résidentielle. Cet équipement génère, utilise et peut émettre de l'énergie de fréquence radio et, s'il n'est pas installé et utilisé conformément aux instructions, peut causer des interférences nuisibles aux communications radio. Toutefois, il n'y a aucune garantie que les interférences ne se produiront pas dans une installation particulière. Si cet équipement provoque des interférences nuisibles à la réception radio ou de télévision, ce qui peut être déterminé en éteignant l'équipement puis en le rallumant, nous invitons l'utilisateur à essayer de corriger en mettant en œuvre l'une ou plusieurs des mesures suivantes :

- Réorienter ou déplacer l'antenne de réception.
- Augmenter la distance entre l'équipement et le récepteur.
- Brancher l'équipement sur une prise d'un circuit différent de celui sur lequel le récepteur est branché.
- Consulter le revendeur ou un technicien radio/TV expérimenté pour obtenir de l'aide.


MISE EN GARDE! Ne pas modifier l'appareil. Toute modification apportée à l'appareil qui n'est pas expressément approuvée par nVent peut annuler la conformité CEM.

Innovation, sciences et développement économique (ISDE)
Canada

Étiquette de conformité ICES-003 : CAN ICES-3 (B)/NMB-3(B)

1.3 Classement Des Produits

Généralités

Zone d'utilisation	Zones non dangereuses				
Homologations	Homologué UL pour les systèmes de gicleurs (VGNJ, VGNJ 7)				
					
	<table border="0"> <tr> <td>5XLE1-CR, CT</td> <td>8XLE1-CR, CT</td> </tr> <tr> <td>5XLE2-CR, CT</td> <td>8XLE2-CR, CT</td> </tr> </table>	5XLE1-CR, CT	8XLE1-CR, CT	5XLE2-CR, CT	8XLE2-CR, CT
5XLE1-CR, CT	8XLE1-CR, CT				
5XLE2-CR, CT	8XLE2-CR, CT				
Tension d'alimentation	120 V à 277 V, +/- 10 %, 50/60 Hz Alimentation commune pour le contrôleur et le circuit de traçage électrique				

Boîtier	
Protection	TYPE 12
Matériaux	Polycarbonate
Plage de température ambiante de fonctionnement	0 °C à 40 °C (32 °F à 105 °F)
Plage de température ambiante d'entreposage	-20 °C à 50 °C (-4 °F à 122 °F)
Humidité relative	0 % à 95 %, sans condensation
Régulation	
Type relais	Bipolaire simple jet
Tension, maximum	Tension nominale 277 V, 50/60 Hz
Courant de commutation, maximum	24 A à 105 °F (40 °C)
Algorithmes de commande	EMR : On/Off (marche/arrêt) ambiant, régulation proportionnelle selon la température ambiante (PASC), détection de ligne
Plage de régulation	0 °C à 40 °C (32 °F à 105 °F)
Surveillance	
Température	Plage alarme basse -40 °F à 190 °F (-40 °C à 88 °C) ou OFF Plage alarme haute 32 °F à 190 °F (0 °C à 88 °C) ou OFF
Courant de fuite	Plage de supervision 20 mA à 200 mA Plage de déclenchement 20 mA à 200 mA
Courant	Condition basse 0,25 A

Entrées pour sondes de température

Quantité	Deux entrées standard	
Types	Thermistance 2K Ω / 77 °F (25 °C), 2 fils 10 pi (3 m), extension de câble jusqu'à 328 pi (100 m) / 2 x 16 AWG Remarque : Pour réduire la probabilité que le bruit électrique ait une incidence sur la mesure de la température, maintenez les câbles d'extension aussi courts que possible. Il est recommandé d'utiliser un câble blindé pour les extensions de capteur. Le blindage du câble peut être raccordé à la borne de mise à la terre.	
Plage de température du capteur	-40 °F (-40 °C) à 194 °F (90 °C)	
Données du capteur	Température (°F)	Résistance (K Ω)
	-40	32,34
	-31	24,96
	-22	19,48
	-13	15,29
	-4	12,11
	5	9,655
	14	7,763
	23	6,277
	32	5,114
	41	4,188
	50	6,454
	59	2,862
	68	2,387
	86	1,684
	104	1,211
	122	0,8854
140	0,6587	
158	0,4975	
176	0,3807	

Sortie de supervision

Relais de supervision	Relais unipolaires à deux directions, sans potentiel, calibre 1 A 24 VCA
-----------------------	--

Programmation et configuration

Méthode	Écran tactile programmable
Unités	Imperial (°F, po) ou métrique (°C, mm)
Écran tactile	Point de consigne, état, températures du capteur, condition de supervision, réglages
Mémoire	Non volatile, insensible aux coupures de courant
Paramètres enregistrés (mesurés)	Dernier événement, maintenir la température, dernières températures du capteur d'événement, mode de commande
Conditions de supervision	Basse / Haute température, courant faible* Condition de défaut à la terre et de déclenchement* Défaillance du capteur ou du relais électromécanique Perte de continuité Perte de tension d'alimentation entrante
Autre	Protection par mot de passe

Borniers de connexion

Tension d'alimentation	Bride de serrage de cage, 18-10 AWG
Sortie du câble chauffant	Bride de serrage de cage, 18-10 AWG
Masse	Bride de serrage de cage, 18-10 AWG
Capteurs/relais de supervision	Bride de serrage de cage, 22-16 AWG
Fixation	
Boîtier	Montage sur rail DIN 35 mm (intérieur uniquement)

*Note : Le régulateur 465 ne peut pas surveiller le courant de charge et le courant de défaut à la terre dans chaque segment de câble lorsqu'un régulateur externe est utilisé. Ces conditions de supervision sont désactivées lorsque le régulateur externe est utilisé.

2. INSTALLATION ET CÂBLAGE

2.1 Introduction

Cette section contient des informations concernant l'inspection initiale, la préparation à l'utilisation et les instructions de stockage du régulateur 465.

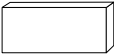

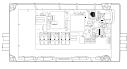







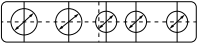


Note : Si l'équipement est utilisé d'une manière non spécifiée par nVent Thermal Management, la protection fournie par l'équipement peut être compromise.





2.2 Première Inspection

Vérifiez que le conteneur d'expédition n'est pas endommagé. Si le conteneur d'expédition ou le matériau d'amortissement est endommagé, il doit être conservé jusqu'à ce que le contenu ait été vérifié et que l'équipement ait été contrôlé mécaniquement et électriquement. Si l'envoi est incomplet, s'il y a des dommages mécaniques, un défaut ou si le régulateur ne réussit pas les tests de performance électrique, avisez le représentant nVent Thermal Management le plus proche. Si le conteneur d'expédition est endommagé ou si le matériau d'amortissement présente des signes de contrainte, avisez le transporteur ainsi que votre représentant nVent Thermal Management. Conservez les matériaux d'expédition pour l'inspection par le transporteur.

Contenu du produit :

	 1x	 1x	 2x
	 2x M20; 2x M20	 1x	 1x
	 1x	 2x 2x	 1x
 1x			

Outils requis :

			
---	---	---	---

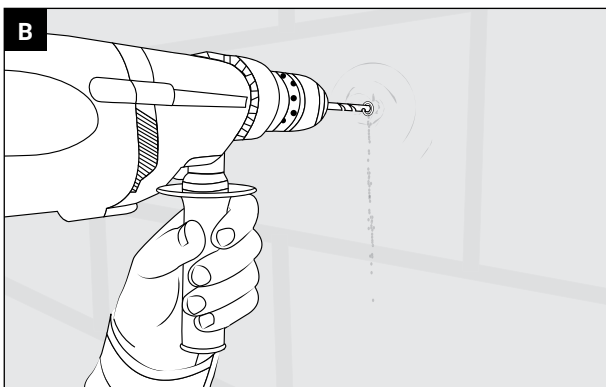
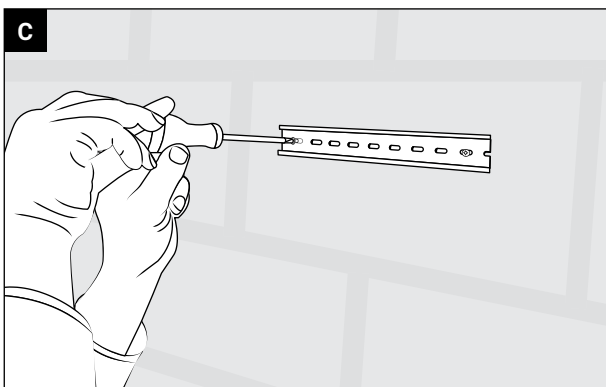
2.3 Emplacement De L'installation

La version autonome du régulateur 465 est approuvée pour la classe de protection de TYPE 12 pour une utilisation à l'intérieur. Installez le régulateur à l'intérieur, dans un endroit propre, sec et accessible. Assurez-vous d'installer le régulateur à moins de 328 pi (100 m) de l'endroit où vous désirez surveiller la température de tuyau. Le capteur de température ambiante doit être installé à un emplacement représentatif de la température ambiante du système de gicleurs, y compris l'altitude. Les considérations devraient inclure l'accessibilité pour l'entretien et les essais et l'emplacement des conduits existants.

2.4 Procédures De Montage

Les étapes de montage sont illustrées aux Figures 2.1 A, B, C et D. Percez les trous d'entrée du conduit avant le montage. Si possible, des entrées de conduits doivent être faites au fond du boîtier afin de réduire le risque d'infiltration d'eau

par condensation ou fuite. Les entrées de conduits doivent être percées ou perforées selon les pratiques industrielles normalisées. Utilisez des bagues adaptées à l'environnement et installez-les de manière à ce que l'installation complète reste étanche. Les concentrateurs et conducteurs de mise à la terre doivent être installés conformément à l'article 250 du National Electrical Code (NEC) ou à la partie 1 du Code canadien de l'électricité (CEC). Les concentrateurs doivent être connectés au conduit avant d'être connectés au boîtier.

A**B****C**

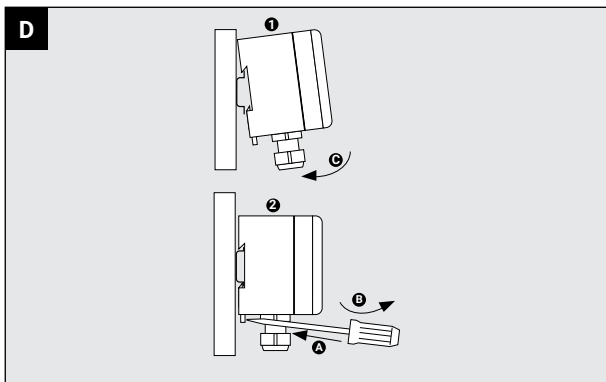


Figure 2.1 Procédures de montage du régulateur 465

2.5 Câblage

Les schémas suivants fournissent des exemples de schémas de câblage pour le régulateur 465 et les accessoires en option. Les concentrateurs et conducteurs de mise à la terre doivent être installés conformément à l'article 250 du National Electrical Code (NEC) ou à la partie 1 du Code canadien de l'électricité (CEC).

2.5.1 Connexions d'alimentation et de charge

Le régulateur 465 peut être alimenté directement par une alimentation de 120 V à 277 V.

Toutes les bornes d'alimentation sont étiquetées pour faciliter leur identification. N'essayez pas d'utiliser des tailles de fil dépassant les valeurs nominales de borne indiquées et évitez de raccorder deux fils sur la même borne autant que possible.



Note : Suivez les pratiques normalisées de mise à la terre de l'industrie. Ne vous fiez pas aux connexions de conduit pour fournir une mise à la terre appropriée. Des bornes/vis de mise à la terre sont fournies pour la connexion des câbles de mise à la terre du système. Les presse-étoupes/conduits doivent être insérés dans la plaque de mise à la terre métallique fournie avec le régulateur.

Les fils d'alimentation sont connectés aux bornes L (ligne), N (neutre) et PE (masse).

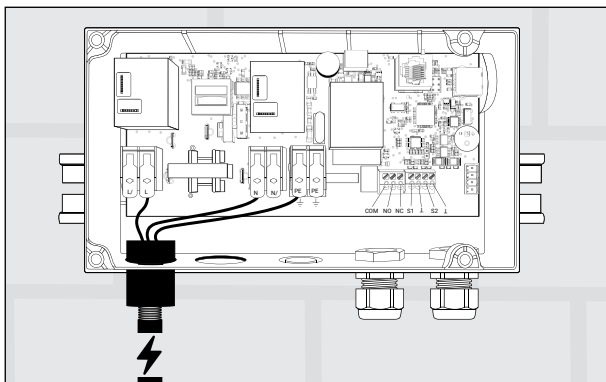


Figure 2.2 Connexion électrique

Les conducteurs du câble chauffant sont connectés aux bornes L/, N/ et la tresse est connectée à la masse (PE).

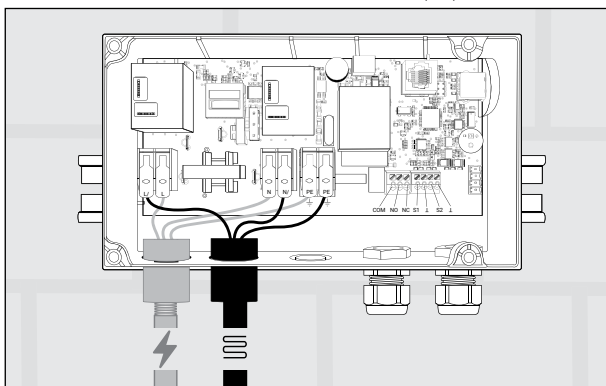



Figure 2.3 Branchement du câble chauffant

2.5.2 Capteur de température et câbles d'extension

Le régulateur 465 possède deux (2) entrées de capteur de température. Utilisez uniquement une thermistance à 2 fils.

Capteurs 2 kOhm / 77 °F (25 °C) fournis. Le capteur 1 doit être connecté aux bornes S1 et ⊥ tandis que le capteur 2 doit être connecté aux bornes S2 et ⊥. Le régulateur fonctionne également avec un seul capteur.

 **Note :** Le capteur de température ambiante doit être installé à un emplacement représentatif de la température ambiante du système de gicleurs y compris l'altitude.

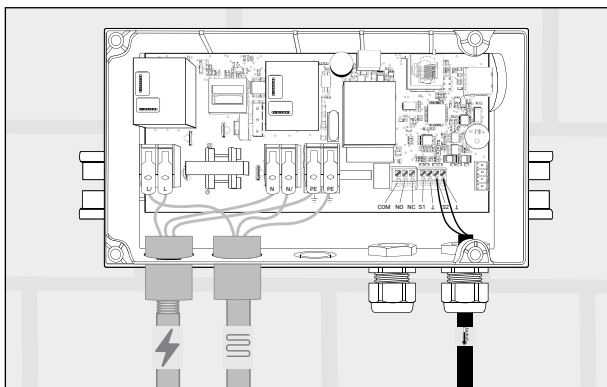


Figure 2.4 Câblage du capteur de température

2.6 Bornes de relais de supervision

Le régulateur 465 comprend des bornes pour un relais de supervision, comme illustré à la Figure 2.5. Il peut prendre en charge à la fois une source d'alimentation CA et CC (reportez-vous aux spécifications de tension et de courant maximum pour le relais ci-dessus). Il peut être câblé pour un fonctionnement normalement ouvert (NO) ou normalement fermé (NC).

L'entrepreneur doit connecter l'indicateur de supervision à NO, COM pour que le relais signale une condition de supervision lorsqu'il est ouvert. En fonctionnement normal, le contact NO est fermé. En cas de perte de puissance ou de condition de supervision, le contact NO est ouvert.

L'entrepreneur doit connecter l'indicateur de supervision à NC, COM pour que le relais signale une condition de supervision lorsqu'il est fermé. En fonctionnement normal, le contact NC est ouvert. En cas de perte de puissance ou de condition de supervision, le contact NC est fermé.

Le relais de supervision est utilisé pour fournir un signal de supervision à un système d'alarme incendie dans l'une des conditions suivantes :

1. Courant de défaut à la terre
2. Basse température du système
3. Température élevée du système
4. Défaillance du capteur de température
5. Erreur interne
6. Perte de continuité
7. Perte de tension d'alimentation entrante



Note : Le relais de supervision est destiné à être utilisé pour commuter les signaux basse tension et faible courant. Ne pas utiliser ce relais pour commuter directement les tensions de ligne.

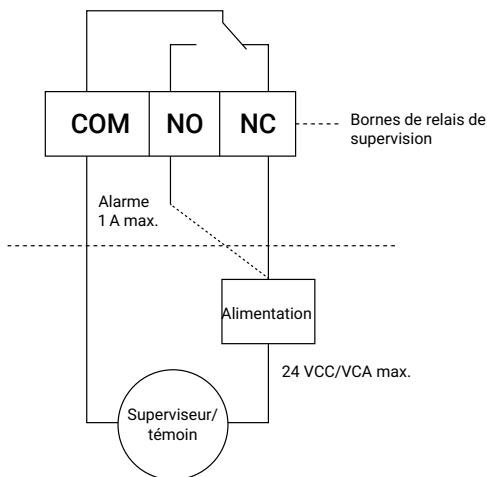


Figure 2.5 Câblage du relais de supervision

Une fois toutes les connexions effectuées, connectez le câble réseau de l'écran tactile au port du régulateur, comme illustré ci-dessous :

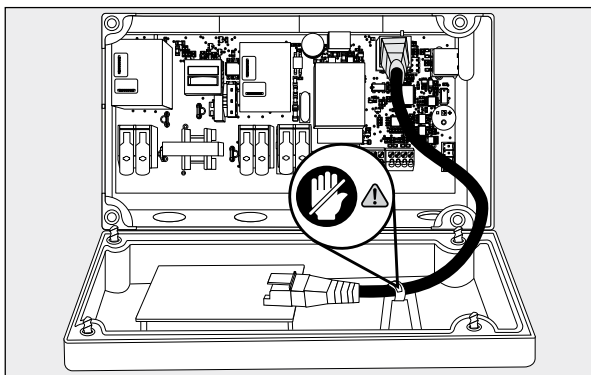


Figure 2.6 Brancher le câble de l'écran tactile au régulateur.

Fermez le couvercle à l'aide d'un tournevis et mettez le disjoncteur du circuit sous tension. Le disjoncteur utilisé pour la protection des circuits de dérivation doit être un disjoncteur de 30 A. Les câbles d'alimentation utilisés doivent être de taille appropriée pour le courant nominal conformément à NEC/CEC.

2.6.1 Manipulation des câbles courts

Pendant le démarrage rapide, le contrôleur vérifie le flux de courant après une courte période de temps. Si le débit de courant est inférieur à la limite de détection, il sera demandé à l'utilisateur si le mode contacteur doit être activé ou si des câbles chauffants courts doivent être utilisés (ce qui désactive la surveillance du courant de la sortie, l'alarme de courant faible sera désactivée).

2.7 Initialisation Du Régulateur

2.7.1 Test initial du câble chauffant

Afin de minimiser les risques de dommages au régulateur découlant d'un défaut du câble chauffant, l'intégrité du câble chauffant doit être vérifiée en effectuant les tests de mise en service détaillés dans le manuel d'installation et d'utilisation du produit approprié. Ces manuels sont disponibles sur nVent.com.

Ces tests doivent être effectués avec la sortie du régulateur débranchée. Une fois le câble vérifié, il peut être rebranché au régulateur et mis sous tension.

2.7.2 Connexion au test du tableau d'alarmes d'incendie

Pour tester la connexion au tableau d'alarmes d'incendie, 3 options sont disponibles :

1. Débranchez le circuit de l'armoire électrique, causant une perte de courant.
2. Débranchez le capteur du 465, créant une alarme de défaillance.
3. Modifiez les paramètres jusqu'à ce que l'alarme soit déclenchée.



Remarque : Lorsque vous sélectionnez l'option 2 ou 3, assurez-vous que tout est reconnecté ou que tous les paramètres ont été réglés correctement.

3. FONCTIONNEMENT DU RÉGULATEUR 465

3.1 Démarrage Rapide

Lorsque l'unité est mise sous tension pour la première fois, un démarrage rapide doit être exécuté avant que l'unité ne soit prête à démarrer. Le démarrage rapide permet de définir tous les réglages, l'appareil passe automatiquement à l'écran principal lorsque vous avez terminé le réglage. Le démarrage rapide est suffisant pour la plupart des fonctionnements normaux. D'autres paramètres sont disponibles dans le menu des paramètres.

Menu démarrage rapide

Langue	Sélectionnez votre langue dans le menu Langue.
Mode contacteur / câbles chauffants courts	Pendant le démarrage rapide, le contrôleur vérifie le flux de courant après une courte période de temps. Si le débit de courant est inférieur à la limite de détection, il sera demandé à l'utilisateur s'il faut activer le mode contacteur ou s'il faut utiliser des câbles chauffants courts (ce qui désactive la surveillance du courant de la sortie).
Unités	Sélectionnez unités impériales ou métriques
Vérification de la connexion	L'appareil exécute automatiquement une vérification de connexion. Il vérifie la connexion du câble chauffant, du capteur de température ambiante et du capteur de tuyau. Une connexion de l'unité à un contacteur externe doit être confirmée par l'utilisateur. ⚠ AVERTISSEMENT : Le régulateur 465 ne peut pas surveiller le courant de charge et le courant de défaut à la terre dans chaque segment de câble lorsqu'un régulateur externe est utilisé. Une protection contre les défauts de mise à la terre externe doit être fournie à l'aide d'un disjoncteur de fuite à la terre approprié.
Pays	Sélectionnez un pays dans ce menu.
Date	Utilisez les touches fléchées haut/bas pour sélectionner l'année, le mois et le jour.
Heure	Utilisez les touches fléchées haut/bas pour régler les heures et les minutes.
Tension	Sélectionnez la tension.
Type de câble	Sélectionnez le câble chauffant utilisé dans l'application.

Configuration des capteurs	<p>La configuration des capteurs 1 et 2 est entièrement flexible. Affectez chaque capteur à un capteur de ligne ou à un capteur de température ambiante. Sélectionnez si vous souhaitez que le circuit reste activé si le capteur donné tombe en panne en cliquant sur alimentation sur échec TS. Sélectionnez le capteur que vous souhaitez utiliser pour la coupure de limite haute. Assurez-vous que le capteur 1 est connecté aux bornes S1 et L.</p> <p>Ajustez les réglages individuels des capteurs dans le menu de réglage des paramètres.</p> <p>Si un seul capteur est utilisé, laissez les autres paramètres de capteur vides.</p>
Mode de contrôle	<p>Cela permet de sélectionner le type d'algorithme à utiliser pour maintenir la température de consigne. Sélectionnez On/Off (marche/arrêt) ambiant, régulation proportionnelle selon la température ambiante (PASC), détection de ligne. Si aucun capteur de température ambiante ou de ligne n'a été affecté, le mode de commande correspondant est désactivé.</p>
Réglages des paramètres	<p>Point de consigne Il s'agit de la température utilisée par le régulateur pour déterminer si son commutateur de sortie doit être activé ou désactivé. Plage : 32 °F (0 °C) à 104 °F (40 °C)</p> <p>Diamètre tuyauterie Sélectionnez le diamètre approprié dans le menu.</p> <p>Basse température Cela permet à l'utilisateur de régler le niveau de basse température pour les capteurs de température 1 et 2. Plage : -40 °F (-40 °C) à 190 °F (88 °C) Par défaut : 2 °C (35 °F)</p> <p>Température élevée Cela permet à l'utilisateur de régler le niveau de température élevée pour les capteurs de température 1 et 2. Plage : 32 °F (0 °C) à 190 °F (88 °C) Par défaut : 43 °C (110 °F)</p>
Démarrer le programme de test	<p>Le programme de test s'exécute pendant 30 minutes, période durant laquelle tous les paramètres seront ignorés afin de procéder à la vérification du câble chauffant et de la connexion sur le site. Vous pouvez interrompre le test à tout moment.</p>
Verrouillage des touches	<p>Le verrouillage des touches est activé après le démarrage rapide. Saisissez le code 3000 pour déverrouiller le régulateur.</p>

Une fois le démarrage rapide terminé, l'écran du menu principal s'affiche comme suit :

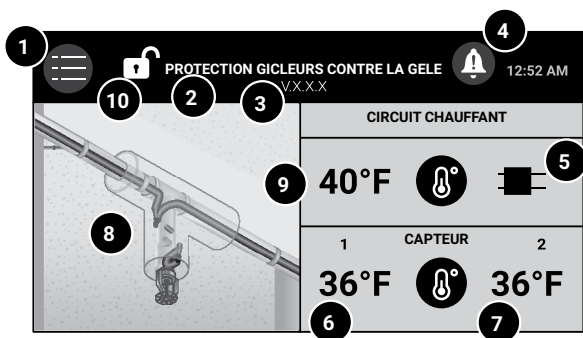


Figure 3.1 Écran du menu principal

1	Bouton Paramètres
2	Description de l'application
3	Version du microprogramme
4	Indicateur d'événement de supervision
5	Voyant d'alimentation du câble de chauffage (rouge lorsque le câble est alimenté)
6	Température mesurée du capteur 1
7	Température mesurée du capteur 2
8	Image de l'application
9	Point de consigne de contrôle
10	Indicateur de verrouillage

Le voyant vert clignote comme suit :

- Fonctionnement normal, chauffage activé : 1,5 s marche/0,5 s arrêt
- Fonctionnement normal, chauffage désactivé : 1 s marche/1 s arrêt
- Conditions de supervision : 0,2 s marche/1,8 s arrêt

Appuyez sur le bouton Paramètres de l'écran Menu principal pour accéder au menu Paramètres.

3.2 Menu Réglages

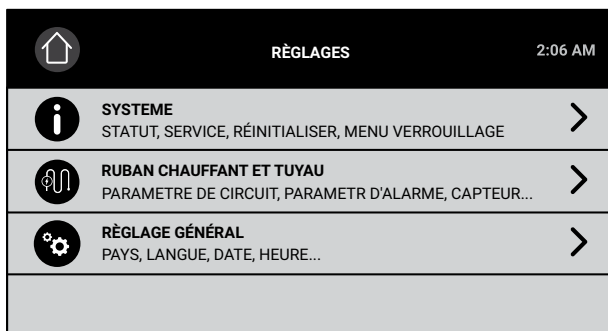


Figure 3.2 Menu paramètres

Le menu de réglage comporte trois sections :

1. La section Système vous permet de lire les informations système, d'exécuter un programme de test, de réparer le système, par exemple mettre à niveau le micrologiciel, exporter le journal des événements/la consommation d'énergie/les températures ou d'étalonner l'écran, lire l'état du circuit de traçage thermique, activer le verrouillage des touches, attribuer l'ID du périphérique et réinitialiser le système aux paramètres d'usine.
2. La section Ruban chauffant et tuyau vous permet de définir les paramètres du circuit tels que le mode de contrôle, le point de consigne, les capteurs, la température ambiante minimale, les conditions de température et les filtres, ainsi que les paramètres de défaut à la terre.
3. Les réglages général vous permettent de sélectionner le pays, la langue, la tension, la date, l'heure et les unités.

Les détails de chaque section sont fournis à la page suivante.

3.3 Menu Système

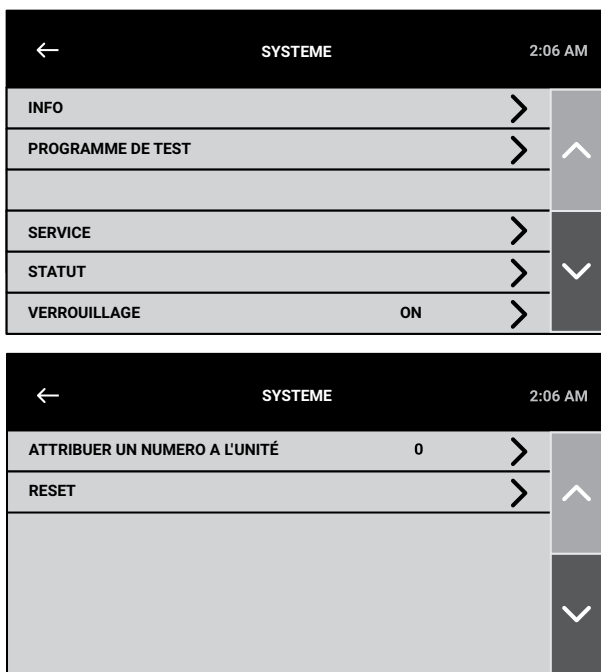


Figure 3.3 Menu système

3.3.1 Info

Objectif Fournit des renseignements généraux sur l'appareil, nom, date de mise en service, version du micrologiciel, renseignements de contact de nVent Thermal Management par pays.

3.3.2 Programme de test

Objectif Le programme de test dure 30 minutes au cours desquelles tous les paramètres de vérification du câble chauffant et des raccordements au site seront ignorés. Vous pouvez interrompre le test à tout moment.

3.3.3 Service

Objectif Il s'agit d'une zone protégée par mot de passe permettant à l'utilisateur de réparer l'appareil. Le mot de passe par défaut est 2017.

Le sous-menu comprend :

Fichier journal : Fournit des informations sur les avertissements, le dernier événement, le mode de contrôle, le câble chauffant, le point de consigne, les températures ambiantes mesurées et l'horodatage.

Écran Étalonner : Appuyez sur le point pour étalonner l'écran tactile.

USB : La prise USB peut être utilisée pour mettre à niveau le micrologiciel, exporter la température, la consommation d'énergie et les données du journal des événements.

Consommation d'énergie : Affiche le graphique de consommation d'énergie au fil du temps.

Sélectionner le réglage de puissance : Le facteur de réglage de puissance peut être sélectionné pour la régulation proportionnelle selon la température ambiante (PASC). La plage est comprise entre 10 % et 200 %. La valeur par défaut est 100 %.

3.3.4 Statut

Objectif Affiche l'état et les paramètres du circuit de traçage thermique. Affiche des informations telles que les températures des capteurs 1 et 2, le cycle de service, le mode de contrôle, le courant de charge, le courant différentiel et si le contacteur externe est branché.

3.3.5 Fonction de verrouillage

Objectif Lorsque le verrouillage du clavier est activé, les menus de configuration et de minuterie sont protégés par un mot de passe. Pour déverrouiller l'appareil, saisissez le mot de passe prédéfini (3000). L'unité se verrouille automatiquement après 10 minutes d'inactivité ou lorsque la touche de verrouillage est enfoncée.

Valeur par défaut : Verrouillage des touches

Appuyez sur la touche fléchée vers le bas pour passer à la page suivante du menu Système.

3.3.6 Attribuer un numéro à l'unité

Objectif Attribuer un numéro à 4 chiffres à chaque périphérique en tant qu'identifiant pour ce périphérique.

3.3.7 Reset

Objectif Fournir une méthode rapide de réinitialisation des paramètres de configuration du régulateur aux paramètres par défaut définis en usine. Sélectionnez « Oui » pour activer le menu Installation rapide et rétablir tous les paramètres par défaut. Le processus de démarrage rapide redémarre automatiquement.

3.4 Menu Ruban Chauffant Et Tuyau

← RUBAN CHAUFFANT ET TUYAU		2:07 AM
PARAMETRE DU CAPTEUR	CAPTEUR 1/CAPTEUR 2	>
MODE DE CONTROLE	AMBIANTE ON/OFF	>
TEMP. A MAINTENIR	24°C	>
DEADBAND	+1°C	>
TEMPERATURE AMBIANTE MINIMUM	-7°C	>
CABLE TYPE XL-TRACE	8XL2-CR/CT	>

← RUBAN CHAUFFANT ET TUYAU		2:07 AM
DIAMÈTRE TUYAUTERIE	0.5 IN	>
BASSE TEMPÉRATURE ALARME	-10°C / -10°C	>
HAUTE TEMPÉRATURE ALARME	40°C / 40°C	>
TEMPÉRATURE DE FILTRE D'ALARME	1 S / 1 S	>
HAUTE TEMP. CUTOUT	40°C / 40°C	>
NIVEAUX DÉFAUT À LA TERRE	20 MA / 50 MA	>

Figure 3.4 Ruban chauffant et tuyau

Dans ce menu, chaque ligne de paramètre indique la valeur réelle attribuée pour chaque paramètre.

3.4.1 Paramètre du capteur

Le paramètre du capteur permet à l'utilisateur de configurer les capteurs de température de manière totalement flexible, comme illustré à la Figure 3.5 ci-dessous :

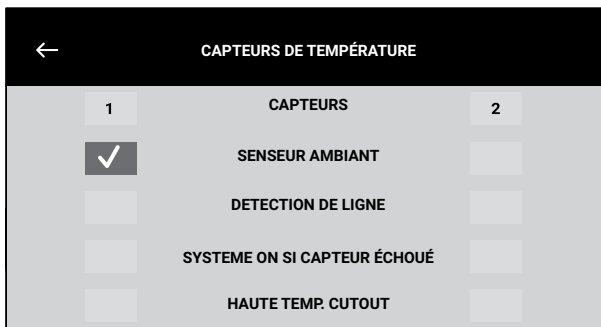


Figure 3.5 Paramètre du capteur

Le régulateur 465 permet l'utilisation de deux capteurs de température. Affectez chaque capteur à un capteur de ligne ou à un capteur de température ambiante. Si les deux capteurs sont attribués en tant que capteurs de ligne ou de température ambiante, le régulateur assure le contrôle en fonction de la température mesurée la plus basse des deux capteurs. Sélectionnez si vous souhaitez que le circuit reste activé si le capteur donné tombe en panne en cliquant sur alimentation sur échec TS. Sélectionnez le capteur que vous souhaitez utiliser pour la coupure de limite haute. Assurez-vous que le capteur 1 est connecté aux bornes S1 et \perp .

Pour l'application de protection gicleurs contre le gel, un capteur sera un capteur de température ambiante et le second, un capteur de ligne avec coupure de limite haute activée. Le capteur de coupure de limite haute devrait être situé à l'endroit où la tuyauterie du système de gicleurs devrait être la plus chaude. Dans le cas d'un système de gicleurs avec branches, le capteur de coupure de limite haute doit être situé sur l'une des branches.

Au moins un capteur doit être connecté pour que le régulateur fonctionne. Le second capteur, s'il n'est pas connecté, est automatiquement désactivé.



Remarque : Le capteur de coupure de limite haute devrait être situé à l'endroit où la tuyauterie du système de gicleurs devrait être la plus chaude.



Remarque : La fonction de coupure de limite haute désactive le circuit lorsque le capteur correspondant atteint la température de coupure de limite haute. Cette fonction a une priorité plus élevée que la fonction « alimentation sur échec TS ». En d'autres termes, le circuit en condition de coupure de limite haute reste hors tension jusqu'à ce que cette condition s'éteigne et que la condition de défaillance du TS n'alimente pas le circuit.

3.4.2 Mode de contrôle

Objectif Le paramètre du capteur permet à l'utilisateur de configurer les capteurs de température de manière totalement flexible, comme illustré à la Figure 3.5 ci-dessous :

Réglage Mode On/Off (marche/arrêt) ambiant : Le capteur de température ambiante mesure la température ambiante. Si la température ambiante est supérieure à la température de consigne plus la zone morte, la sortie du relais est désactivée. Si la température ambiante est inférieure à la température de consigne, la sortie est activée.

Mode Ligne : Le capteur de ligne mesure la température ambiante. Si la température de ligne est supérieure à la température de consigne plus la zone morte, la sortie du relais est désactivée. Si la température de ligne est inférieure à la température de consigne, la sortie est activée.

PSAC : Le capteur de température ambiante mesure la température ambiante. L'algorithme PASC contrôle automatiquement la puissance calorifique et maintient la température au point de consigne.

L'algorithme est dérivé des paramètres suivants :

- Point de consigne : 32 °F – 104 °F (40 °F par défaut)
- Température ambiante minimum –40 °F – 40 °F (20 °F par défaut)
- Diamètre du tuyau : 0,5 po / 1 po / >2 po (0,5 po par défaut)
- Facteur de réglage de puissance : 10 % – 200 % (100 % par défaut)

Pour plus de renseignements sur le mode PASC, reportez-vous à l'Annexe A.



Note : La fonction « alimentation sur échec TS » active le circuit en cas de défaillance du capteur de température qui contrôle le système. Par exemple, en mode de commande de détection de ligne, le message « alimentation sur échec TS » ne déclenche pas en cas de défaillance du capteur ambiant et vice-versa.

3.4.3 Point de consigne

Objectif Il s'agit de la température utilisée par le régulateur pour déterminer si son commutateur de sortie doit être activé ou désactivé.

Réglage/Plage 32 °F à 104 °F (0 °C à 40 °C) Réglage d'usine par défaut 40 °F (4 °C)

3.4.4 Zone morte

Objectif La zone morte représente la différence entre la température de contrôle mesurée et la température de consigne de contrôle souhaitée; ce réglage permet d'activer ou de désactiver la sortie

Réglage/Plage 1 °F à 8 °F (1 °C à 4 °C)

Réglage d'usine par défaut 5 °F (3 °C)

3.4.5 Température ambiante minimum

Objectif Il s'agit de la température ambiante minimum qui sera utilisée pour calculer le cycle de fonctionnement du mode de contrôle de détection de la température ambiante proportionnelle.

Réglage/Plage -40 °F à 40 °F (-40 °C à 4 °C)

Réglage d'usine par défaut : 20 °F (-7 °C)

3.4.6 Type de câble

Objectif Sélectionner le type de câble du circuit de traçage thermique.

3.4.7 Diamètre tuyauterie

Objectif Sélectionner le diamètre du tuyau du circuit de traçage thermique.

Réglage/Plage 0.5 pouce, 1 pouce, 2,5+ pouces

Réglage d'usine par défaut 0,5 pouce

3.4.8 Basse température

Objectif Cela permet à l'utilisateur de sélectionner le point de supervision de basse température pour les deux capteurs.

Réglage/Plage -40 °F à 190 °F (-40 °C à 88 °C)

Réglage d'usine par défaut : 35 °F (2 °C)

3.4.9 Température élevée

Objectif Cela permet à l'utilisateur de sélectionner le point de supervision de basse température pour les deux capteurs.

Réglage/Plage 32 °F à 190 °F (0 °C à 88 °C)

Réglage d'usine par défaut 110 °F (43 °C)

3.4.10 Haute température cutout, température à maintenir

Objectif Définir la température de coupure limite haute pour le capteur sélectionné (dans la configuration du capteur). La fonction de coupure de limite haute désactive le circuit lorsque le capteur correspondant atteint la température de coupure de limite haute.

Réglage/Plage 32 °F à 190 °F (0 °C à 88 °C) Réglage d'usine par défaut 185 °F (85 °C)

3.4.11 Filtre de condition de température

Objectif Régler le filtre de temporisation pour la température.

Réglage/Plage 1 à 200 secondes Réglage d'usine par défaut 10 secondes

3.4.12 Courant élevé de défaut à la terre

Objectif Cela permet à l'utilisateur de définir le niveau de supervision du courant de défaut à la terre. Le dépassement de cette limite déclenche l'événement de supervision pour indiquer qu'il existe une condition de défaut à la terre dans le circuit du câble chauffant. Pour éviter tout risque d'incendie ou de choc, le niveau de défaut à la terre doit être réglé au niveau le plus bas possible pour permettre le fonctionnement normal du câble.

Réglage/Plage 20 mA à 200 mA Réglage d'usine par défaut 20 mA

Le filtre de temporisation d'événement de supervision est réglé en usine sur immédiat.

3.4.13 Niveau de déclenchement de défaut à la terre (Déclenchement DT élevé)

Objectif Cela permet à l'utilisateur de définir le niveau de déclenchement du courant de défaut à la terre. Le dépassement de cette limite entraîne le verrouillage du commutateur de sortie et l'activation de la supervision de déclenchement du niveau de défaut à la terre pour indiquer une condition de défaut à la terre.

⚠ Avertissement : Risque d'incendie. La supervision de déclenchement par défaut à la terre ne doit pas être ignorée. Pour éviter tout risque d'incendie, ne remettez pas les câbles de chauffage sous tension tant que la défaillance n'a pas été identifiée et corrigée.

Réglage/Plage 20 mA à 200 mA Réglage d'usine par défaut 30 mA

3.5 Menu Réglages Général

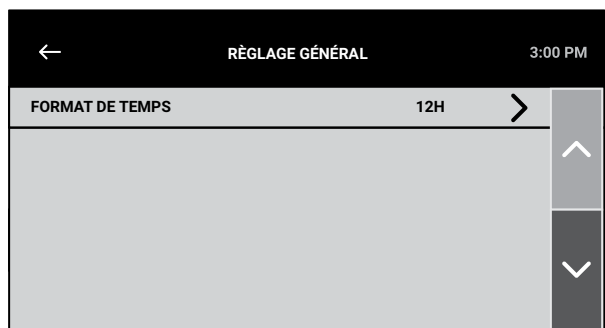
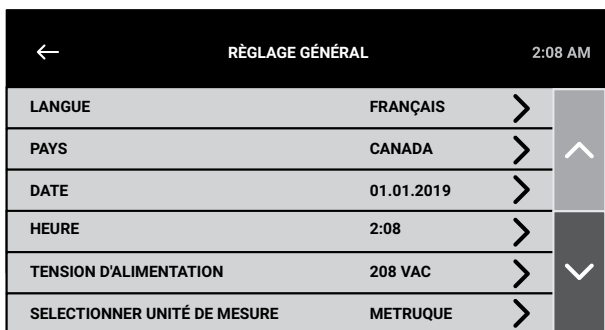


Figure 3.6 Menu réglages général

3.5.1 Langue

Sélectionnez Anglais ou Français

3.5.2 Pays

Sélectionnez États-Unis ou Canada

3.5.3 Date

Utilisez les touches fléchées haut/bas pour sélectionner l'année, le mois et le jour

3.5.4 Heure

Utilisez les touches fléchées haut/bas pour régler les heures et les minutes

3.5.5 Tension

Sélectionnez la tension appropriée pour l'application

3.5.6 Sélectionner unité de mesure

Sélectionnez unités impériales ou métriques

3.5.7 Format de temps

Sélectionnez le format de temps 24 h (24 heures) ou 12 h (12 heures)

3.6 Événements de supervision

3.6.1 Filtre de temporisation

Type de supervision	Valeur par défaut	Plage
Basse température	10 secondes	1 à 200 secondes
Température élevée	10 secondes	1 à 200 secondes
Faible courant	3 secondes	
Supervision de défaut à la terre élevé	Immédiat	
Déclenchement de défaut à la terre élevé	Immédiat	
Défaillance du commutateur	Immédiat	
Défaillance du capteur	10 secondes	
Perte de puissance entrante	Immédiat	
Erreur interne	Immédiat	
Contrôle de plausibilité	10 secondes	
Haute température cutout	Immédiat	

3.6.2 Codes d'erreur

Voici les codes d'erreur pour différentes conditions et leur description.

N° d'erreur	Étiquette	Description
E:1.1	SENSOR1_OPEN	Capteur 1 ouvert
E:1.2	SENSOR1_SHORT	Capteur 1 court-circuité
E:1.3	SENSOR2_OPEN	Capteur 2 ouvert
E:1.4	SENSOR2_SHORT	Capteur 2 court-circuité
E:2.1	SENSOR1_TEMP_HIGH	Capteur de surveillance de température levée 1
E:2.2	SENSOR2_TEMP_HIGH	Capteur de surveillance de température levée 2
E:2.3	SENSOR1_TEMP_HIGH_CUTOUT	Capteur de supervision de coupure limite levée 1
E:2.4	SENSOR2_TEMP_HIGH_CUTOUT	Capteur de supervision de coupure limite levée 2
E:3.1	SENSOR1_TEMP_LOW	Supervision de coupure basse température Capteur 1
E:3.2	SENSOR2_TEMP_LOW	Supervision de coupure basse température Capteur 2
E:4.1	LOW_CURRENT	Faible courant
E:5.1	GROUND_FAULT	Déclenchement courant de défaut à la terre
E:5.2	HIGH GROUND FAULT CURRENT	Supervision courant de défaut à la terre

N° d'erreur	Étiquette	Description
E:6.1	INTERNAL_ERROR	Erreur interne - remplacer l'unité. Lorsque vous signalez cette erreur, fournissez le numéro d'erreur exact.
E:6.2	INTERNAL_ERROR	Erreur interne - remplacer l'unité. Lorsque vous signalez cette erreur, fournissez le numéro d'erreur exact.
E:6.3	INTERNAL_ERROR	Erreur interne - remplacer l'unité. Lorsque vous signalez cette erreur, fournissez le numéro d'erreur exact.
E:6.4	INTERNAL_ERROR	Erreur interne - remplacer l'unité. Lorsque vous signalez cette erreur, fournissez le numéro d'erreur exact.
E:6.5	INTERNAL_ERROR	Erreur interne - remplacer l'unité. Lorsque vous signalez cette erreur, fournissez le numéro d'erreur exact.
E:6.6	INTERNAL_ERROR	Erreur interne - si vous utilisez un contacteur à faible bruit et sans bourdonnement, remplacez-le par le contacteur sans bourdonnement. Si cela ne résout pas le problème, remplacez l'unité. Lorsque vous signalez cette erreur, fournissez le numéro d'erreur exact.
E:8.1	PLAUSIBILITY_CHECK_ERROR	Plausibilité de la tension <-> Sélection du type de câble ou Mode de contrôle <-> paramètre du capteur

4. DÉPANNAGE

Le régulateur 465 peut être utilisé comme outil de dépannage efficace pour localiser les zones problématiques des circuits de câbles chauffants. Voici quelques-uns des problèmes les plus courants, leurs symptômes et les paramètres à vérifier pour déterminer la partie défectueuse réelle du circuit du câble chauffant.

Symptôme/ Condition de supervision	Cause probable	Mesures correctives
Défaillance du capteur	Le capteur n'est pas une thermistance NTC à 2 fils. Capteur ou câble d'extension endommagé Câblage incorrect	Installer le bon capteur. Poser un capteur ou un câble neuf Refaire les connexions du capteur.

Symptôme/ Condition de supervision	Cause probable	Mesures correctives
Température apparemment incorrecte	<p>Capteur incorrect utilisé.</p> <p>CAPTEUR DE TEMPÉRATURE ou câble de connexion endommagé</p> <p>Le régulateur 465 ne fonctionne pas correctement</p>	<p>Installer le bon capteur.</p> <p>Poser un nouveau capteur de température ou un câble neuf.</p> <p>Vérifier que l'entrée de lecture est correcte.</p> <p>Brancher une résistance de 2 KΩ aux bornes S1.L ou S2.L.</p> <p>Mettre le régulateur sous tension. La température indiquée ou affichée doit être d'environ 77 °F (25 °C).</p>
Température instable ou changeante	<p>Câble d'extension du capteur de température défectueux, endommagé ou mal installé</p> <p>Les connexions des bornes ne sont pas serrées</p> <p>Capteur de température ou câble d'extension endommagé</p>	<p>Le fil utilisé pour l'extension du capteur de température doit être à deux fils. Chacun des deux fils doit être de même calibre.</p> <p>Vérifier le serrage des connexions.</p> <p>Poser un nouveau capteur de température ou un câble neuf</p>
Température élevée	<p>Réglage de la température trop près pour maintenir la température.</p> <p>Débit d'eau chaude dans le tuyau</p> <p>Capteur de température de ligne trop proche du câble chauffant sur le tuyau</p> <p>Câblage du câble chauffant incorrect</p>	<p>Augmenter le réglage.</p> <p>Poser le capteur de température de ligne sur le côté opposé du câble chauffant sur le tuyau.</p> <p>Vérifier le câblage du câble chauffant.</p>
Basse température	<p>Réglage de la température trop près pour maintenir la température.</p> <p>Le câble chauffant n'est pas correctement dimensionné pour l'application</p> <p>Isolation thermique endommagée, humide ou manquante</p>	<p>Réduire le réglage.</p> <p>Se reporter au guide de conception de câble chauffant approprié pour la sélection correcte du produit.</p> <p>Remplacer ou installer la bonne isolation thermique.</p>

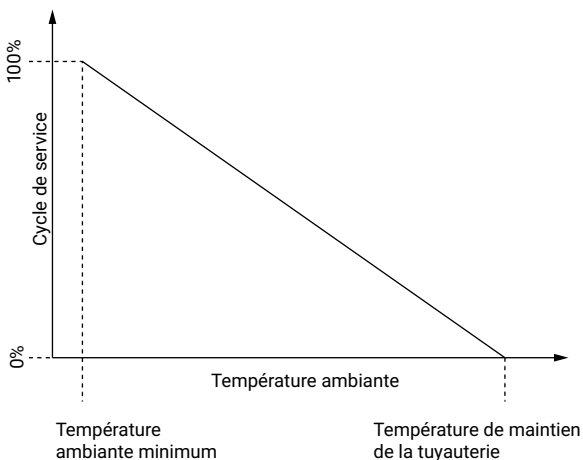
Symptôme/ Condition de supervision	Cause probable	Mesures correctives
Défaillance du capteur de température	Câblage sur site incorrect ou endommagé	Refaire les connexions du capteur de température.
	Capteurs de température endommagés	Installer le bon capteur de température.
Défaut à la terre	Installation incorrecte, composants du système humides ou câbles endommagés	Effectuer les tests de mise en service du câble chauffant décrits dans les manuels d'utilisation du câble chauffant.
	Câblage de retour du point mort incorrect	Vérifier que les points morts du circuit du câble chauffant retournent au régulateur et ne sont pas connectés directement au panneau de distribution.
	Réglage trop proche du courant de fuite normal	Le niveau de défaut à la terre doit être réglé au niveau le plus bas possible, mais suffisamment élevé pour permettre le fonctionnement normal du câble.
<p>⚠ AVERTISSEMENT : Risque d'incendie. La supervision de déclenchement par défaut à la terre ne doit pas être ignorée. Pour éviter tout risque d'incendie, ne remettez pas les câbles de chauffage sous tension tant que la défaillance n'a pas été identifiée et corrigée.</p>		
Faible courant	Tension source faible ou nulle	Vérifier que la distribution de l'alimentation est correcte.
	Câble chauffant endommagé ou inopérant	Réparer ou remplacer le câble chauffant.
	Connexion ouverte— problème de câblage	Vérifier que le câblage de la distribution de l'alimentation est correct.
	Échec de l'ouverture du contacteur	Remplacer ou réparer le régulateur.
Défaillance du commutateur	Défaillance de fermeture du contacteur de sortie	Remplacer ou réparer le régulateur.

Symptôme/ Condition de supervision	Cause probable	Mesures correctives
Voir 3 points, un par un, sur l'écran	Appuyer sur l'écran pendant 30 secondes fait passer le contrôleur en mode d'étalonnage de l'écran (il peut également être déclenché à partir du menu de service)	Les 3 points doivent être pressés un par un pour l'étalonnage avant de revenir à l'écran principal

5. ANNEXE A : RÉGULATION PROPORTIONNELLE SELON LA TEMPÉRATURE AMBIANTE (PASC)

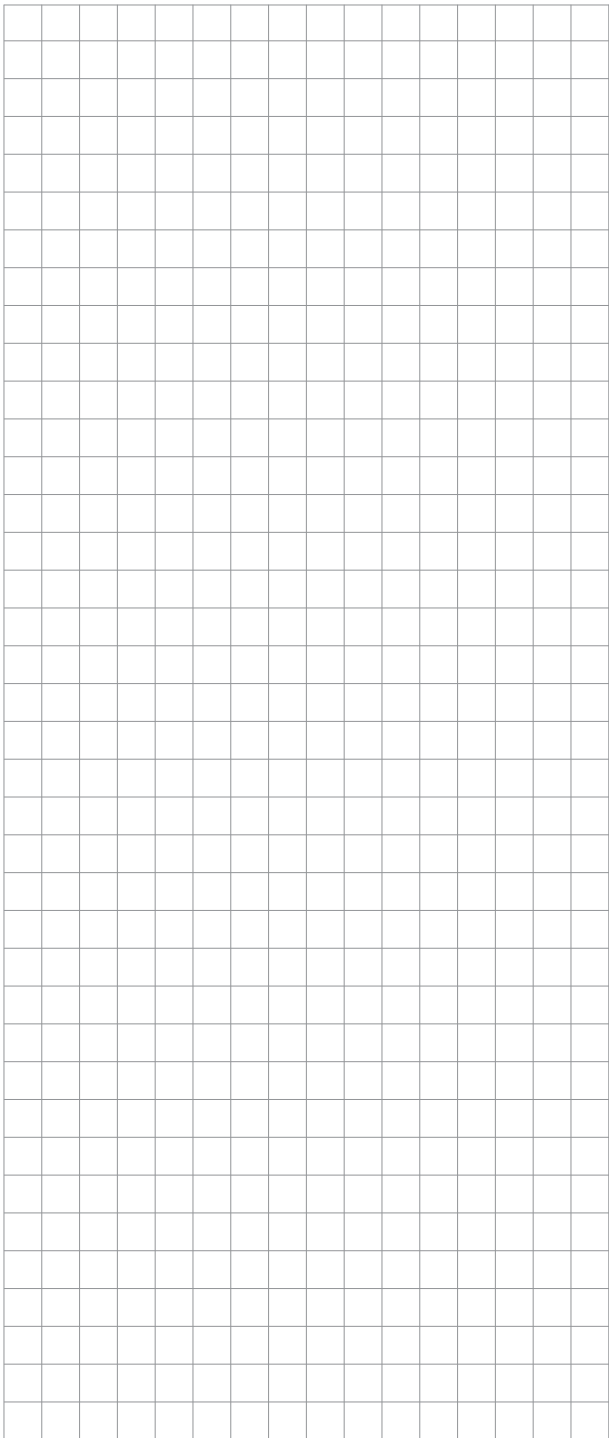
La PASC profite du fait que la perte de chaleur d'un tuyau est proportionnelle à la différence de température entre le tuyau et l'air ambiant. Cela est vrai, quel que soit le câble chauffant, le type d'isolation ou le diamètre du tuyau. Une fois que le traçage thermique et l'isolation sur un tuyau ont été conçus pour équilibrer l'entrée de chaleur avec la perte de chaleur et maintenir une température particulière, la principale variable de contrôle de la température du tuyau devient la température de l'air ambiant.

Le régulateur 465 possède un algorithme de contrôle qui utilise la température ambiante mesurée, la température de maintien souhaitée, l'hypothèse de température ambiante minimale utilisée pendant la conception et la taille du plus petit diamètre de tuyau pour calculer la durée pendant laquelle le câble chauffant doit être activé ou désactivé pour maintenir une température de tuyau près de la constante. La puissance du traçage thermique est proportionnelle à la température ambiante. Si la température ambiante est inférieure ou égale à la température ambiante minimale de conception plus 3 °F, le câble chauffant sera à 100 %. Si la température ambiante mesurée est égale ou supérieure à la température de maintien -3°F, le câble chauffant sera sur 0 %. Pour toute température ambiante mesurée entre température ambiante minimale de conception et température de maintien, le câble chauffant sera activé selon un pourcentage du temps égal à (maintien de la température - température ambiante mesurée) / (maintien de la température - température de conception minimale).



Les paramètres suivants sont utilisés dans le calcul du cycle de service de la régulation proportionnelle.

Réglage	Plage	Valeur par défaut
Diamètre du tuyau (pouces) :	½, 1 ou ≥ 2	½-
Point de consigne :	32 à 104 °F (0 à 40 °C)	4 °C (40 °F)
Température ambiante minimum attendue :	-40 à 40 °F (-40 à 4 °C)	-7 °C (20 °F)
Facteur de réglage de la puissance :	10-200 %	100 %



North America

Tel +1.800.545.6258

Fax +1.800.527.5703

thermal.info@nVent.com



nVent.com/RAYCHEM

© 2024 nVent. All nVent marks and logos are owned or licensed by nVent Services GmbH or its affiliates. All other trademarks are the property of their respective owners. nVent reserves the right to change specifications without notice.

RAYCHEM-IM-H60472-465Controller-ML-2401