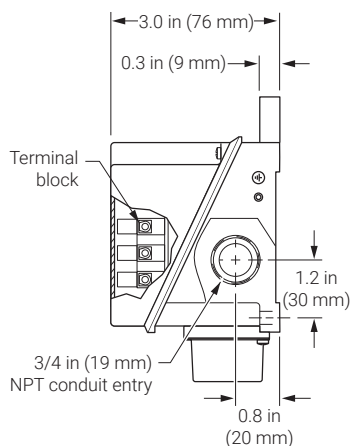
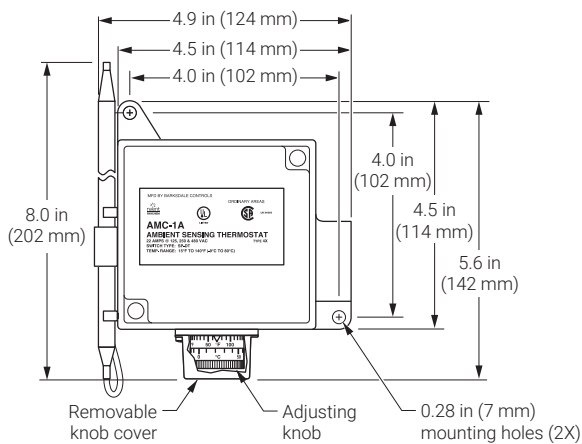
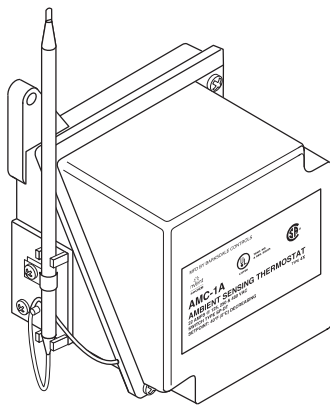


AMC-1A

CONNECT AND PROTECT

Ambient-sensing thermostat for nonhazardous locations

PRODUCT OVERVIEW



The nVent RAYCHEM AMC-1A ambient-sensing thermostat is designed to control heat-tracing systems used for freeze protection in nonhazardous locations. The thermostat responds to ambient temperature changes and has an adjustable set point. The AMC-1A can be used to control a single heat-tracing circuit or as a pilot control of a contactor switching multiple heat-tracing circuits.

SPECIFICATIONS

| | |
|-------------------------|--|
| Enclosure | TYPE 4X, polyurethane-coated cast-aluminum housing, stainless-steel hardware |
| Entries | One 3/4-in (19 mm) NPT conduit hub |
| Set point range | 15°F to 140°F (-9°C to 60°C) |
| Sensor exposure limits | -40°F to 160°F (-40°C to 71°C) |
| Housing exposure limits | -40°F to 160°F (-40°C to 71°C) |
| Switch | SPDT |
| Electrical rating | 22 A at 125 / 250 / 480 Vac |
| Accuracy | ±6°F (±3.3°C) |
| Deadband | 2°F to 12°F (1.1°C to 6.7°C) above actuation temperature |
| Set point repeatability | ±3°F (±1.7°C) |
| Sensor type | Fixed fluid-filled (silicone) bulb and capillary |
| Sensor material | 300 series stainless steel |
| Connection terminals | Screw terminals, 10–14 AWG (2–5 mm ²) |

APPROVALS



North America

Tel +1.800.545.6258
Fax +1.800.527.5703
thermal.info@nVent.com



Our powerful portfolio of brands:

CADDY ERICO HOFFMAN RAYCHEM SCHROFF TRACER

©2023 nVent. All nVent marks and logos are owned or licensed by nVent Services GmbH or its affiliates. All other trademarks are the property of their respective owners. nVent reserves the right to change specifications without notice.

RAYCHEM-DS-H55199-AMC1A-EN-2302