

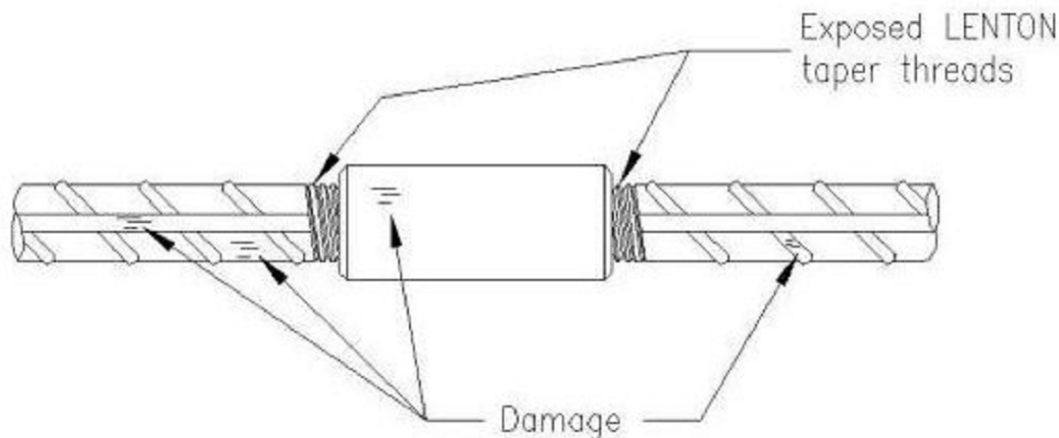
# Field Touch Up Recommendations For Epoxy Coated Couplers

Epoxy coated couplers and rebar should be handled in accordance with all code and industry guidelines and stored in such a manner as to minimize damage to the epoxy coating. However, should coating damage occur during handling, shipment or installation, the damaged areas can be touched up using approved epoxy patching compounds. The Epoxy patch coating process must comply to, but is not limited to, ASTM A775/A775M, ASTM A934/A934M and AASHTO M284.

ASTM D 3963 / D 3963M (Standard specification for Fabrication and Jobsite Handling of Epoxy-Coated steel reinforcing Bars) specifies the maximum amount of coating damage shall not exceed 2% of the total surface area in each 0.3 [1-ft] of the bar. This limit on damaged and repaired area shall not include sheared or cut ends.

During installation of the nVent LENTON couplers to the rebar, coating damage to the rebar and coupler could occur when the coupler is secured to the rebar. Prior to pouring the concrete, all damaged areas of the coupler and rebar should be touch-up with an appropriate epoxy patching material supplied by the manufacturer of the epoxy coating or with an approved patching material, such as *3M BRAND Scotchkote™ 413/215 PC*, *Corvel™ Green 10-6095* or *Valspar Greenbar™ 720A009, Patch Compound*. If a nVent LENTON taper thread is utilized, all exposed threads at the mouth of the coupler after splice assembly must also be touched up prior to pouring the concrete. For nVent LENTON FORM SAVER couplers, any exposed flange must be touched up prior to pouring concrete.

The patching compounds are typically two part thermosetting materials, that can be brushed or sprayed onto the substrate materials. These materials must be mixed, applied and cured in accordance with the epoxy coating manufacturer's application and handling guidelines. All of the coating manufacturer's safety and handling precautions must be observed during use of these products.



#### WARNING:

1. nVent products shall be installed and used only as indicated in nVent product instruction sheets and training materials. Instruction sheets are available at [www.nVent.com](http://www.nVent.com) and from your nVent customer service representative.
2. nVent products must never be used for a purpose other than the purpose for which they were designed or in a manner that exceeds specified load ratings.
3. All instructions must be completely followed to ensure proper and safe installation and performance.
4. Improper installation, misuse, misapplication or other failure to completely follow nVent's instructions and warnings may cause product malfunction, property damage, serious bodily injury and/or death, and void your warranty.

The customer is responsible for:

- a. Conformance to all governing codes.
- b. The integrity of structures to which the products are attached, including their capability of safely accepting the loads imposed, as evaluated by a qualified engineer.
- c. Using appropriate industry standard hardware as noted above.

#### SAFETY INSTRUCTIONS:

All governing codes and regulations and those required by the job site must be observed. Always use appropriate safety equipment such as eye protection, hard hat, and gloves as appropriate to the application.

nVent, nVent CADDY, nVent ERICO Cadweld, nVent ERICO Critec, nVent ERICO, nVent ERIFLEX, and nVent LENTON are registered trademarks of nVent or its global affiliates. All other trademarks are the property of their respective owners. nVent reserves the right to change specifications without prior notice.