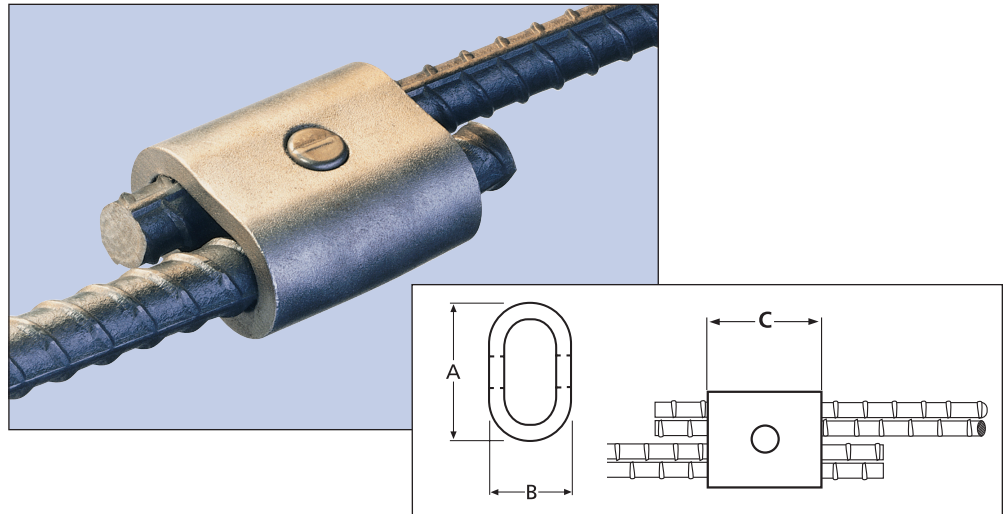


# LENTON® QUICK WEDGE Mechanical Lap Splice

## Features

- Minimal exposed bar ends needed, which reduces concrete chipping (as short as 2<sup>9</sup>/<sub>16</sub>" [65 mm])
- Eliminates custom-fit rebar with "lapped bar" capability
- Easy field adjustability provides greater job-site versatility
- Connections exceed the characteristic yield strength of reinforcing steel
- No special bar-end treatment needed, which gives the ability to connect to virtually any bar
- Easy visual inspection



## Description

LENTON® QUICK WEDGE is a mechanical lap-splice where two bars are overlapped within an oval shaped coupler. A hydraulic tool is used to install a hardened steel tapered pin, causing the deformations of the bars to lock within the side walls of the coupler. The connection is available in rebar sizes 10M, #4 (12 mm), #5 (16 mm), and #6 (20 mm).

## Splice Performance

The assembled connection meets the ACI®, UBC® (IBC®) and AASHTO™ Code for a full tension mechanical connection. Contact ERICO® for specific Department of Transportation approvals.

## Typical Applications

- Bridge repairs and widening
- Road repairs and widening
- Stirrups and tie closures

Bar Size	Part No.	"A" Dia.	"B" Dim.	"C" Dim.	Weight	Qty/Box
10M	ML12MM	1- <sup>5</sup> / <sub>8</sub>	1- <sup>1</sup> / <sub>16</sub>	1- <sup>7</sup> / <sub>8</sub>	0.42	25
#4	ML4	1- <sup>11</sup> / <sub>16</sub>	1- <sup>1</sup> / <sub>16</sub>	1- <sup>7</sup> / <sub>8</sub>	0.5	25
#5	ML5	1- <sup>15</sup> / <sub>16</sub>	1- <sup>5</sup> / <sub>16</sub>	2- <sup>1</sup> / <sub>4</sub>	0.8	25
#6	ML6	2- <sup>3</sup> / <sub>8</sub>	1- <sup>9</sup> / <sub>16</sub>	2- <sup>3</sup> / <sub>4</sub>	1.4	25

### WARNING

ERICO products shall be installed and used only as indicated in ERICO's product instruction sheets and training materials. Instruction sheets are available at [www.erico.com](http://www.erico.com) and from your ERICO customer service representative. Improper installation, misuse, misapplication or other failure to completely follow ERICO's instructions and warnings may cause product malfunction, property damage, serious bodily injury and death.

ACI is a registered trademark of the American Concrete Institute. UBC is a registered trademark of the International Conference of Building Officials. IBC is a registered trademark of the International Building Code. AASHTO is a trademark of the American Association of State Highway Transportation Officials.

Copyright ©2005 ERICO International Corporation. All rights reserved.

CADDY, CADWELD, CRITEC, ERICO, ERIFLEX, ERITECH, and LENTON are registered trademarks of ERICO International Corporation.

Phone: 800-248-2677

Fax: 800-462-4712

[www.erico.com](http://www.erico.com)