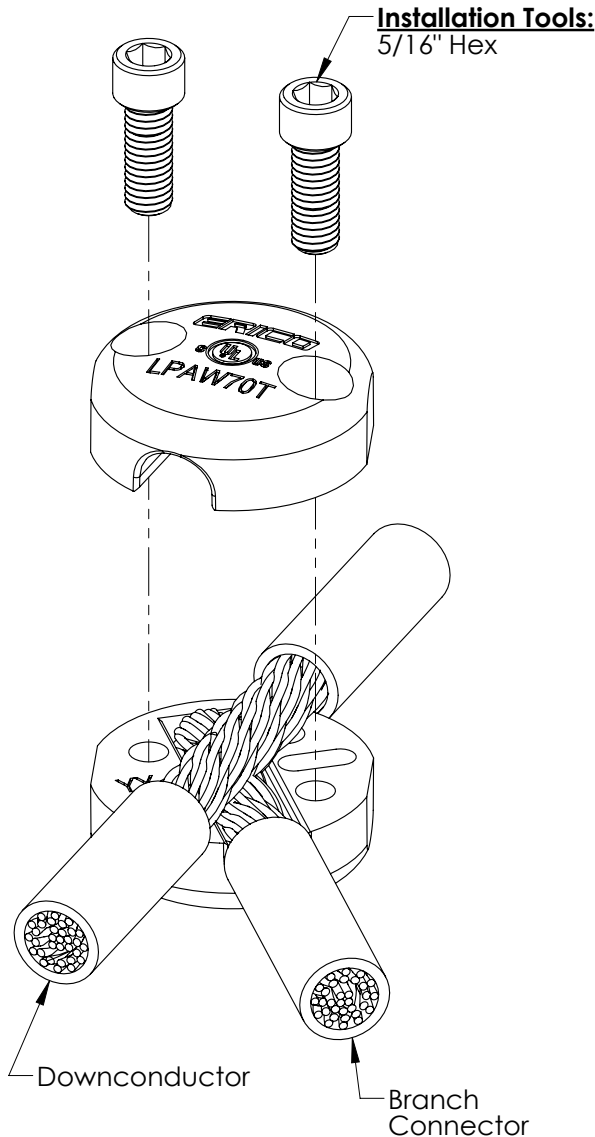


Smooth Weave "Y" Splice

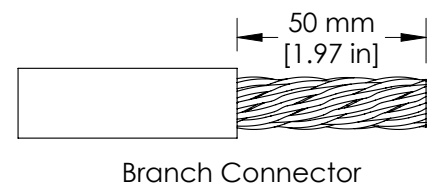
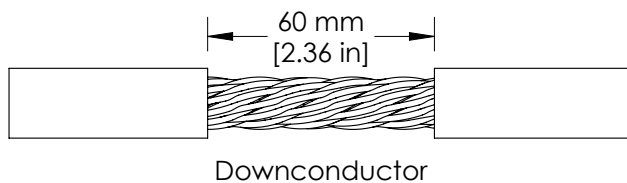
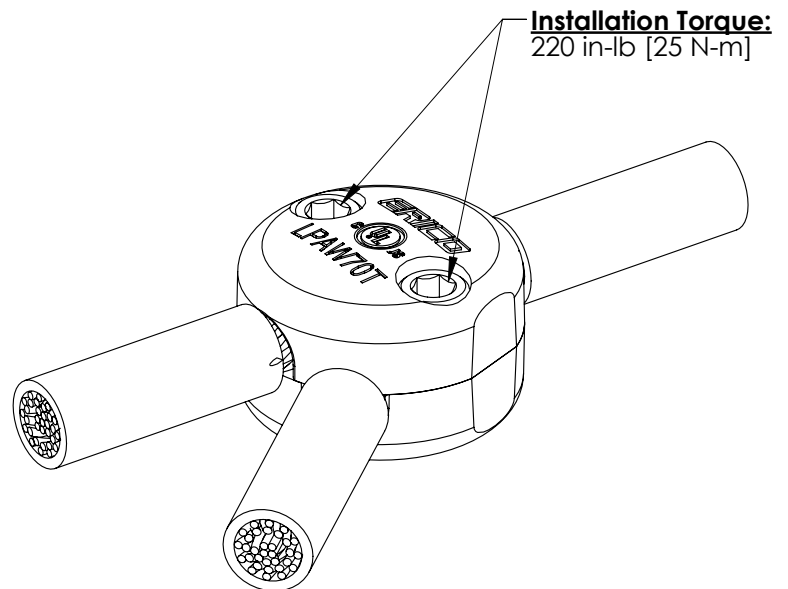
LPAW50T & LPAW70T



Installation Instructions:

1. Strip 60 mm [2.36 in] of insulation from the downconductor and 50 mm [1.97 in] of insulation from the end of the branch connector.
2. Remove oxides from bare conductors and connector with wire brush. (Required for Aluminum; Recommended for Copper)
3. Apply oxide inhibitor (Penetrox A-13 or equivalent) to conductors and connector. (Required for Aluminum; Recommended for Copper)
4. Apply threadlocker (Loctite[®] 263[™] or equivalent)* to both screw and connector threads.
5. Tighten screw to installation torque.

* Loctite[®] 271[™] threadlocker can be used as a substitute for Loctite[®] 263[™] or similar. Loctite[®] 7649[™] activator needs to be applied if using Loctite[®] 271[™].



WARNING:

1. Pentair products shall be installed and used only as indicated in Pentair product instruction sheets and training materials. Instruction sheets are available at www.ericopentair.com and from your Pentair customer service representative.
2. Pentair products must never be used for a purpose other than the purpose for which they were designed or in a manner that exceeds specified load ratings.
3. All instructions must be completely followed to ensure proper and safe installation and performance.
4. Improper installation, misuse, misapplication or other failure to completely follow Pentair's instructions and warnings may cause product malfunction, property damage, serious bodily injury and/or death, and void your warranty.

SAFETY INSTRUCTIONS:

All governing codes and regulations and those required by the job site must be observed. Always use appropriate safety equipment such as eye protection, hard hat, and gloves as appropriate to the application.

Loctite is a registered trademark of Henkel Corporation

Pentair, CADDY, ERICO CADWELD, ERICO CRITEC, ERICO, ERIFLEX, and LENTON are owned by Pentair or its global affiliates. All other trademarks are the property of their respective owners. Pentair reserves the right to change specifications without prior notice.