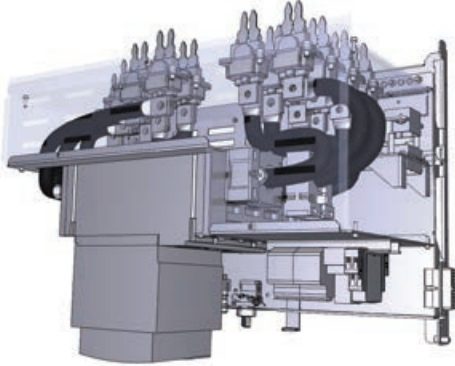


A COMPLETE SET OF SOLUTIONS FOR LOW VOLTAGE AND GROUNDING APPLICATIONS

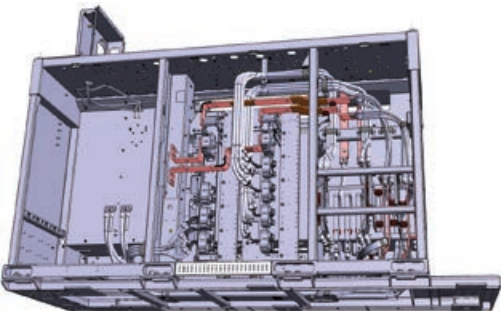
nVent ERIFLEX has the products and engineering support you need to specify and build a complete range of solutions for industries like: energy, transportation, construction and other applications where low voltage power storage and transmission are critical.



Power Conductor Custom Solutions



Made to Order Flexible and Insulated Braided Conductors



Prefabricated Solutions with nVent Flexibar Advanced

North America

Tel + 1 440 248 0100

Europe and Middle East

Tel +31 13 583 5400

Asia

Tel +65.6768.5800

Pacific

Tel +61-2-9751-8500

Custom Engineered and Made to Order Flexible Electric Conductors



Our powerful portfolio of brands:

CADDY ERICO HOFFMAN RAYCHEM SCHROFF TRACER

We connect and protect



[nVent.com/ERIFLEX](https://www.nVent.com/ERIFLEX)

©2020 nVent. All nVent marks and logos are owned or licensed by nVent Services GmbH or its affiliates. All other trademarks are the property of their respective owners. nVent reserves the right to change specifications without notice.

ERIFLEX-SB-H86160-MadeToOrder-USEN-2009



Use the form below to help specify your project needs, or contact your local sales representative.

CUSTOM SOLUTIONS (MADE-TO-ORDER) - CHECK LIST

Use the form below to get started with our Made-To-Order solutions. If you have questions or prefer to discuss these specifications with an nVent ERIFLEX engineer, please email or call your local sales representative. Provide as much information as you can and our expert team will help you build a complete solution with trusted products.

Electrical Function:

- Earthing/grounding conductor
- Power conductor
- Nominal current ___ A
- Alternating or direct current ___
- Nominal voltage ___ V
- Insulation specification (if required).....

Material:

- Red/plain copper.....
- Tinned copper.....
- Stainless steel.....
- Aluminum
- Other

Environment:

- Ambient temperature..... ___ °C/°F
- Operating temperature ___ °C/°F
- Conductor maximum temperature..... ___ °C/°F
- Humidity (dry/average/moist)..... %HR

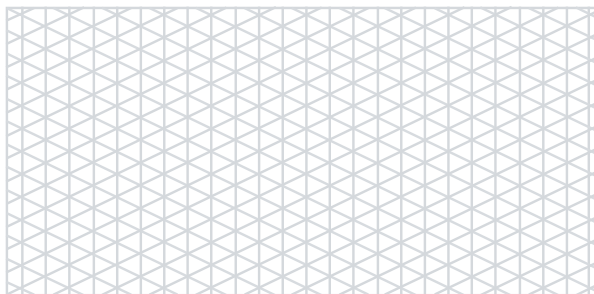
Extremity/Terminal Dimensions:

Indicate your dimensions on the proposed terminal drawing or make a sketch showing your needs.

The block contains six technical diagrams of terminal cross-sections showing various shapes and dimensions. To the right is a large grid for sketching or drawing dimensions.

Conductor Dimensions:

- Availability: Drawing Specification Samples
- Cross Section mm²/kcmil
- Flat or Round Section
- Width of the Conductor mm/in
- Thickness of the Conductor mm/in
- Length of the Conductor mm/in
- Quantity



Let the nVent ERIFLEX engineering team help solve your project needs.



nVent ERIFLEX delivers low voltage power distribution solutions that reduce total installed cost and increase design flexibility by providing a comprehensive range of innovative and reliable products through global end user application expertise.

NVENT ERIFLEX ENGINEERING SUPPORT

nVent ERIFLEX engineering experts can support your system design, provide technical and configuration advice, and help quote your complete low voltage power solution.

Trusted nVent solutions include: nVent ERIFLEX Flexibar Advanced, Braids and IBS/IBSB Advanced – all designed to meet your most challenging panel design and production requirements.

