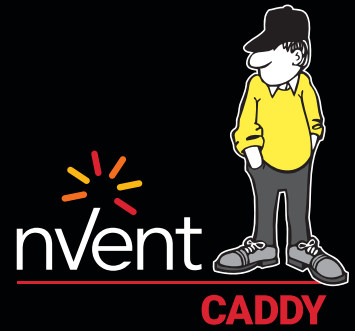


nVent CADDY Heavy Duty Telescoping Bracket



CONNECT AND PROTECT

nVent CADDY's continuous innovation results in products designed for ease of installation. After listening to the electrical contractor community, the nVent CADDY Heavy Duty Telescoping Bracket was created to make the job easier, repeatable and reliable. Like all nVent CADDY products, it is designed to be **safe**, **fast** and **easy to install***

HEAVY DUTY TELESCOPING BRACKET

SAFETY FEATURES

Purpose-built for pre-fab contractors and provides a universal solution that reduces field work, assembling in a controlled environment

Pre-assembled – no sharp edges, no assembly and eliminates guesswork

Secures bracket from coming apart with one screw, preventing it from shifting in transport, making it ideal for pre-fab assembly



Design provides better attachment of center plate to bracket. Plates attach to larger female half when extended to 25" width

FASTER INSTALL FEATURES

Repeatable, time-saving design is ready to use right from the box with just two screws

Maximize speed and job efficiency with snap-on box mounting plates (sold separately)

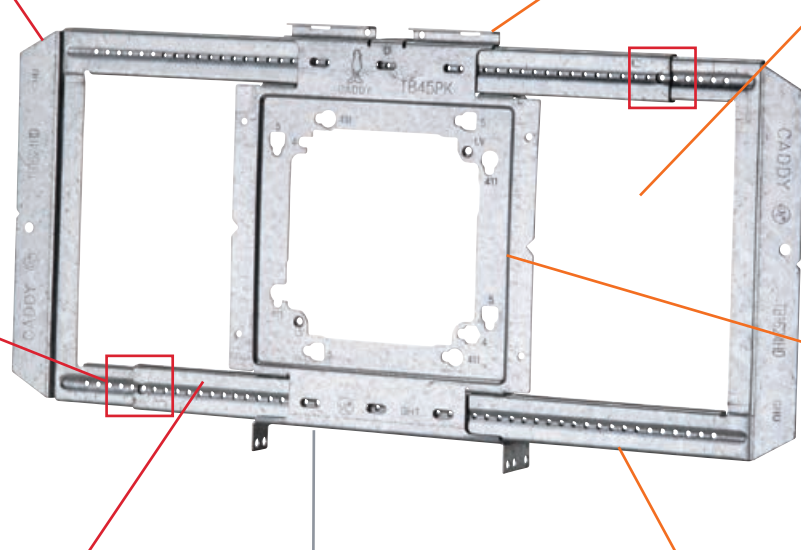
EASE OF USE FEATURES

Innovative design allows boxes to be added or removed without removing bracket from studs and mounting plates can also be added or removed with pre-assembled boxes, fittings and MC/AC cables

Modular system that allows you to create a variety of combinations of SKUs and assemblies without keeping extra product on your shelves

Bracket used in combination with TB45P or TB45PK snap on mounting plates to attach boxes

Rigid design securely holds box mounting plate in place and eliminates the need for far-side support significantly reducing rework expenses related to drywall installation



Telescoping bracket for mounting boxes between metal or wood studs that adjusts from 16" to 24"

*The color of the line corresponds to the larger goal of each feature.

BOX MOUNTING PLATE

SAFETY FEATURES

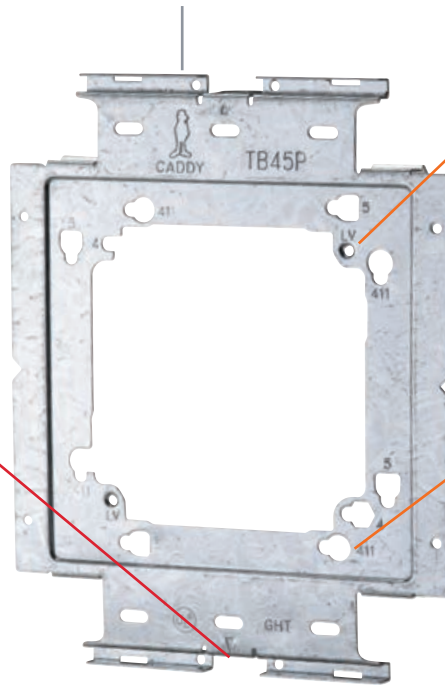
Ready for pre-fabrication and job-site adjustments with the specially-designed prefab tab that holds strong without locking the plate in place, allowing for easy positioning of box within stud space while staying secure on the bracket during transportation

FASTER INSTALL FEATURES

Works with our Heavy Duty Telescoping Bracket - just snap it in

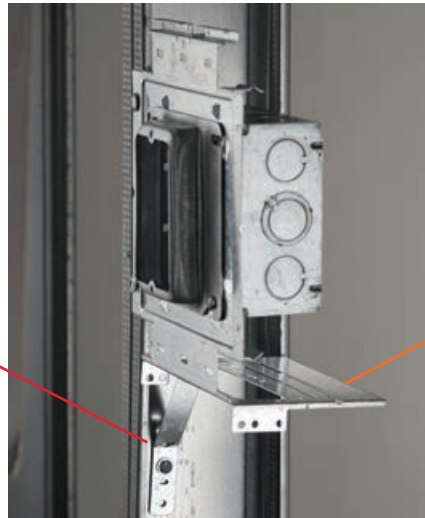
EASE OF USE FEATURES

Adapt with confidence to any situation; with low voltage extruded holes and the ability to remove and reinstall screws multiple times without compromise



Multiple key hole configurations for ease of installation and visual location confirmation

Works with vertically or horizontally-mounted, round, single and double-gang adjustable mud rings



Provides a solution for smaller stud spaces turning the bracket from telescoping/between stud into a stud mounted part

Far side support allows you to install on any stud depth and width up to 3"

Flexible installation options also allow mounting direct to metal or wood studs



Our powerful portfolio of brands:

CADDY ERICO HOFFMAN RAYCHEM SCHROFF TRACER