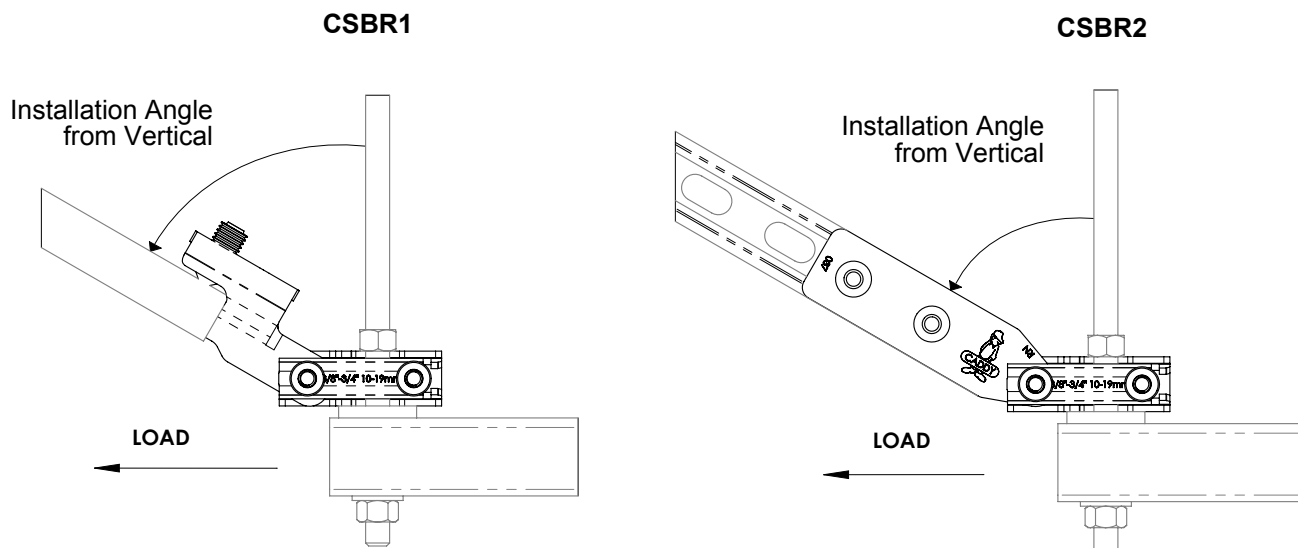


CSBR

Retrofit Trapeze Attachment

PART NUMBER	ARTICLE NUMBER	BRACE MEMBER	FM® Horizontal Load Ratings lbs (N)*			
			INSTALLATION ANGLE			
			30° - 44°	45° - 59°	60° - 74°	75° - 90°
CSBR1	404566	1" EMT CONDUIT**	623 (2,771)	881 (3,919)	1,148 (5,106)	1,148 (5,106)
		1" RIGID CONDUIT	755 (3,358)	1,109 (4,933)	1,738 (7,731)	1,738 (7,731)
		1" SCHEDULE 40 PIPE	755 (3,358)	1,109 (4,933)	1,738 (7,731)	1,738 (7,731)
CSBR2	404567	12 GAUGE STRUT	1,031 (4,586)	1,812 (8,060)	2,000 (8,896)	2,231 (9,923)



*Part numbers and article numbers are for EG only. Other coatings available.
Contact customer service for availability.

**Listed capacities do not account for compression/tension limits due to EMT conduit length.
Weaker components within overall design shall control the application.
EMT conduit must adhere to ANSI C-80.3 with a minimum yield strength of 30ksi.
Do not install set screw into the conduit weld seam.

WARNING:

1. nVent products shall be installed and used only as indicated in nVent product instruction sheets and training materials. Instruction sheets are available at www.nVent.com and from your nVent customer service representative.
2. nVent products must never be used for a purpose other than the purpose for which they were designed or in a manner that exceeds specified load ratings.
3. All instructions must be **completely** followed to ensure proper and safe installation and performance.
4. Improper installation, misuse, misapplication or other failure to completely follow nVent's instructions and warnings may cause product malfunction, property damage, serious bodily injury and/or death, and void your warranty.
5. Products that are manufactured using spring steel components shall be used only in a non-corrosive indoor environment.
6. All pipe supports, hangers, intermediate components and structural attachments must **ONLY** be used as described herein and are **NEVER** to be used for any other purpose.

NOTE: All load ratings are for static conditions and do not account for dynamic loading such as wind, water or seismic loads, unless otherwise noted.

The customer is responsible for:

- a. Conformance to all governing codes.
- b. The integrity of structures to which the products are attached, including their capability of safely accepting the loads imposed, as evaluated by a qualified engineer.
- c. Using appropriate industry standard hardware as noted above.

SAFETY INSTRUCTIONS:

All governing codes and regulations and those required by the job site must be observed.
Always use appropriate safety equipment such as eye protection, hard hat, and gloves as appropriate to the application.

nVent, nVent CADDY, nVent ERICO Cadweld, nVent ERICO Critec, nVent ERICO, nVent ERIFLEX, and nVent LENTON are owned by nVent or its global affiliates. All other trademarks are the property of their respective owners. nVent reserves the right to change specifications without prior notice.

TECHNICAL SUPPORT:
www.nVent.com

CFS573_C

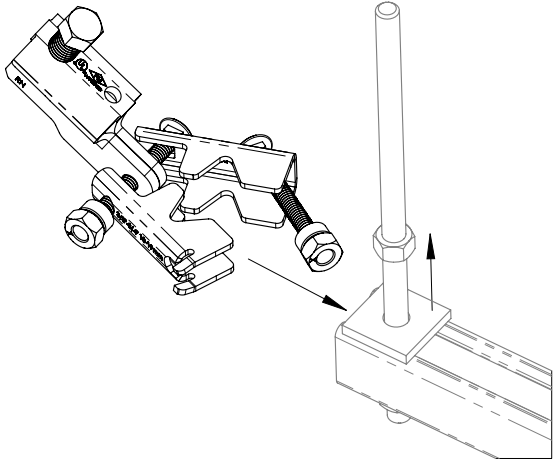
1 OF 2

© 2018-2019 nVent All Rights Reserved

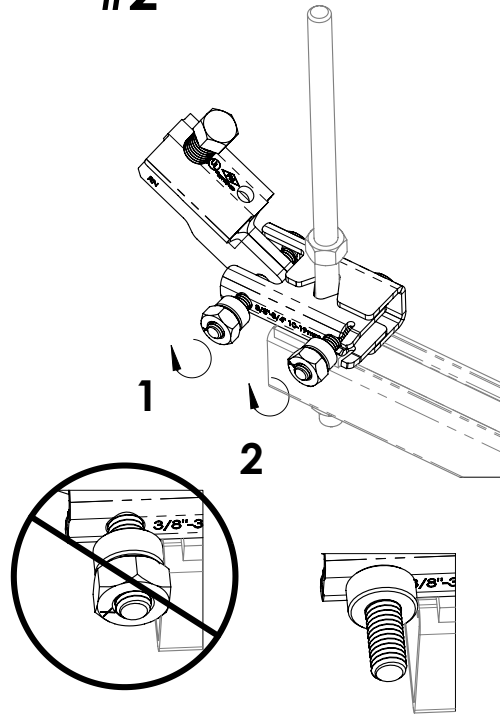


CSBR Retrofit Trapeze Attachment

#1



#2



#3

