

SBC Series Beam Clamp, 3/8" and M10

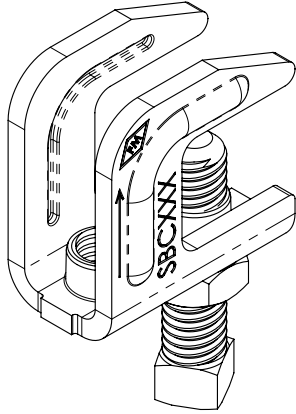
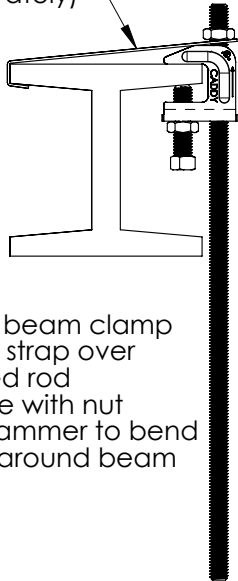


Figure 1

Allows structural attachment to metal beams, bar joist, channel, or angle iron in top mount position only unless used on a parallel flange.

retaining strap
(Sold separately)



Installation:

1. Install beam clamp
2. Place strap over loaded rod
3. Secure with nut
4. Use hammer to bend strap around beam

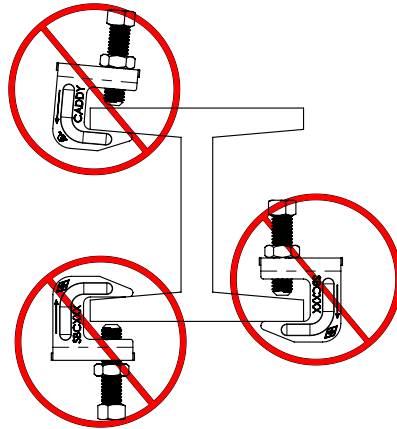


Figure 3
Incorrect mounting configurations.

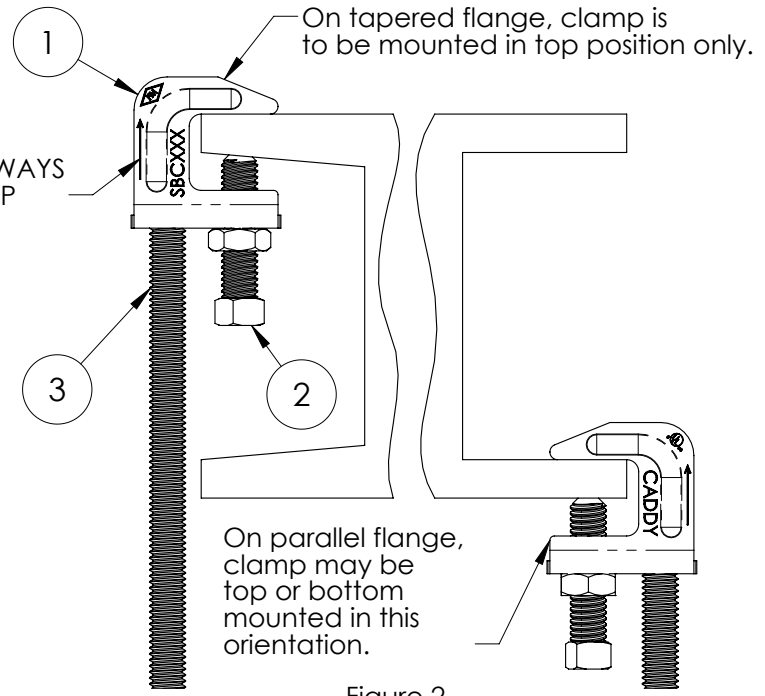


Figure 2

Installation Instructions:

1. Position Clamp on top flange of beam per Figure 2.
2. Tighten screw. Set screw must be tightened to sloped side of I-beam, channel or angle iron flange and torqued to the value specified in the chart below. Tighten set screw jam nut.
3. Insert threaded rod (not included) into threaded hole and adjust to desired height.
4. Clamp must not be secured in reverse position. See figure 3 for incorrect mounting positions.

Note: Threaded rod is not included.

Part Number	Model	Description	Max. Pipe Dia. Supported by Clamp & Threaded Rod	Rod Size	Min. Set Screw Torque	Maximum Recommended Load
SBC037	SBC	Top Mount Beam Clamp to secure threaded rod to structure.	4 inches	3/8 in	60 in-lbs	500 lbs
SBCM10	SBC		4 inches	M10	60 in-lbs	500 lbs

WARNING:

1. ERICO products shall be installed and used only as indicated in ERICO product instruction sheets and training materials. Instruction sheets are available at www.erico.com and from your ERICO customer service representative.
2. ERICO products must never be used for a purpose other than the purpose for which they were designed or in a manner that exceeds specified load ratings.
3. All instructions must be completely followed to ensure proper and safe installation and performance.
4. Improper installation, misuse, misapplication or other failure to completely follow ERICO's instructions and warnings may cause product malfunction, property damage, serious bodily injury and death.
5. Products that are manufactured using spring steel components shall be used only in a non-corrosive indoor environment.
6. All pipe supports, hangers, intermediate components and structural attachments must ONLY be used as described herein and are NEVER to be used for any other purpose.

NOTE: All load ratings are for static conditions and do not account for dynamic loading such as wind, water or seismic loads, unless otherwise noted.

The customer is responsible for:

- a. Conformance to all governing codes.
- b. The integrity of structures to which the products are attached, including their capability of safely accepting the loads imposed, as evaluated by a qualified engineer.
- c. Using appropriate industry standard hardware as noted above.

SAFETY INSTRUCTIONS:

All governing codes and regulations and those required by the job site must be observed. Always use appropriate safety equipment such as eye protection, hard hat, and gloves as appropriate to the application.



CADDY, CADWELD, CRITEC, ERICO, ERIFLEX, ERITECH, and LENTON are registered trademarks of ERICO International Corporation.

TECHNICAL SUPPORT:
www.erico.com

CFS481_E

1 OF 1

© 2012, 2013, 2014 ERICO International Corporation.

