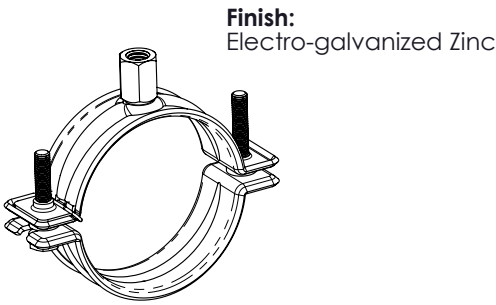


# nVent CADDY MACROFIX PLUS NI 429



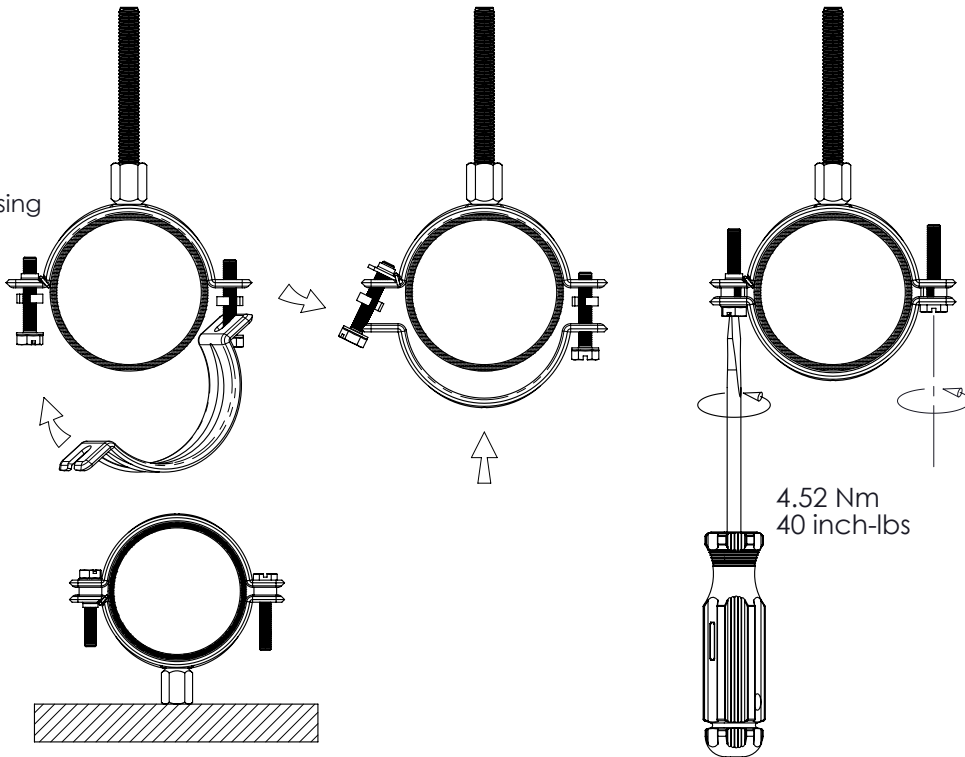
UL® Listed for use with CPVC pipe as a hanger and surge restraint

! = FM® Approved  
\* = Not UL® Listed

Non-Insulated Pipe Clamp						
Ø 3/8 Threaded Rod	Ø M10 Threaded Rod		Ø M12 Threaded Rod		Nominal Pipe Size	Outside Dia. Of Pipe
Part Number	Part Number	Article Number	Part Number	Article Number	Inches	Inches/mm
4290050EG	MPZ020	595052	-	-	1/2	(0.84) / 21.3
! 4290075EG	MPZ025	! 595053	-	-	3/4	(1.05) / 26.7
! 4290100EG	MPZ032	! 595054	-	-	1	(1.32) / 33.4
! 4290125EG	MPZ040	! 595056	-	-	1-1/2	(1.90) / 48.3
! 4290150EG	MPZ050	! 595057	-	-	1-1/4	(1.67) / 42.2
! 4290200EG	MPZ063	! 595059	-	-	2	(2.37) / 60.3
4290250EG	MPZ075	595061	-	* 596060	2-1/2	(2.87) / 73
4290300EG	MPZ090	595062	-	* 596062	3	(3.50) / 88.9
* 4290350EG	-	-	-	-	3-1/2	(4.00) / 101.6
4290400EG	MPZ110	595063	-	* 596063	4	(4.50) / 114.3
* 4290500EG	MPZ140	* 595066	-	-	5	(5.56) / 141.3

**Installation:**

- Insert pipe
- Close pipe clamp by pressing the clamp part upward
- Let screw head lock in the tabs
- Use a screwdriver to tighten the two screws
- Tighten pipe clamp until tabs are parallel



**Bottom Beam Installation**

**Top Beam Installation**

To comply with UL203 Listing in the top beam installation the hex nut of the pipe hanger must be inserted onto a threaded rod and rest directly on the structural member.

**WARNING:**

1. nVent products shall be installed and used only as indicated in nVent product instruction sheets and training materials. Instruction sheets are available at [www.nVent.com](http://www.nVent.com) and from your nVent customer service representative.
2. nVent products must never be used for a purpose other than the purpose for which they were designed or in a manner that exceeds specified load ratings.
3. All instructions must be completely followed to ensure proper and safe installation and performance.
4. Improper installation, misuse, misapplication or other failure to completely follow nVent's instructions and warnings may cause product malfunction, property damage, serious bodily injury and/or death, and void your warranty.
5. Products that are manufactured using spring steel components shall be used only in a non-corrosive indoor environment.
6. All pipe supports, hangers, intermediate components and structural attachments must ONLY be used as described herein and are NEVER to be used for any other purpose.

NOTE: All load ratings are for static conditions and do not account for dynamic loading such as wind, water or seismic loads, unless otherwise noted.

The customer is responsible for:

- a. Conformance to all governing codes.
- b. The integrity of structures to which the products are attached, including their capability of safely accepting the loads imposed, as evaluated by a qualified engineer.
- c. Using appropriate industry standard hardware as noted above.

**SAFETY INSTRUCTIONS:**

All governing codes and regulations and those required by the job site must be observed. Always use appropriate safety equipment such as eye protection, hard hat, and gloves as appropriate to the application.

nVent, nVent CADDY, nVent ERICO Cadweld, nVent ERICO Critec, nVent ERICO, nVent ERIFLEX, and nVent LENTON are owned by nVent or its global affiliates. All other trademarks are the property of their respective owners. nVent reserves the right to change specifications without prior notice.

TECHNICAL SUPPORT:  
[www.nVent.com](http://www.nVent.com)

CFS397\_J

1 OF 1

© 2009-2020 nVent All Rights Reserved

