

CSBMA

Multi-Fastener Attachment Fitting

*Part Number	Attachment Hole	
	Inch	mm
CSBMA050050(XX)	1/2	13
CSBMA050075(XX)	3/4	19

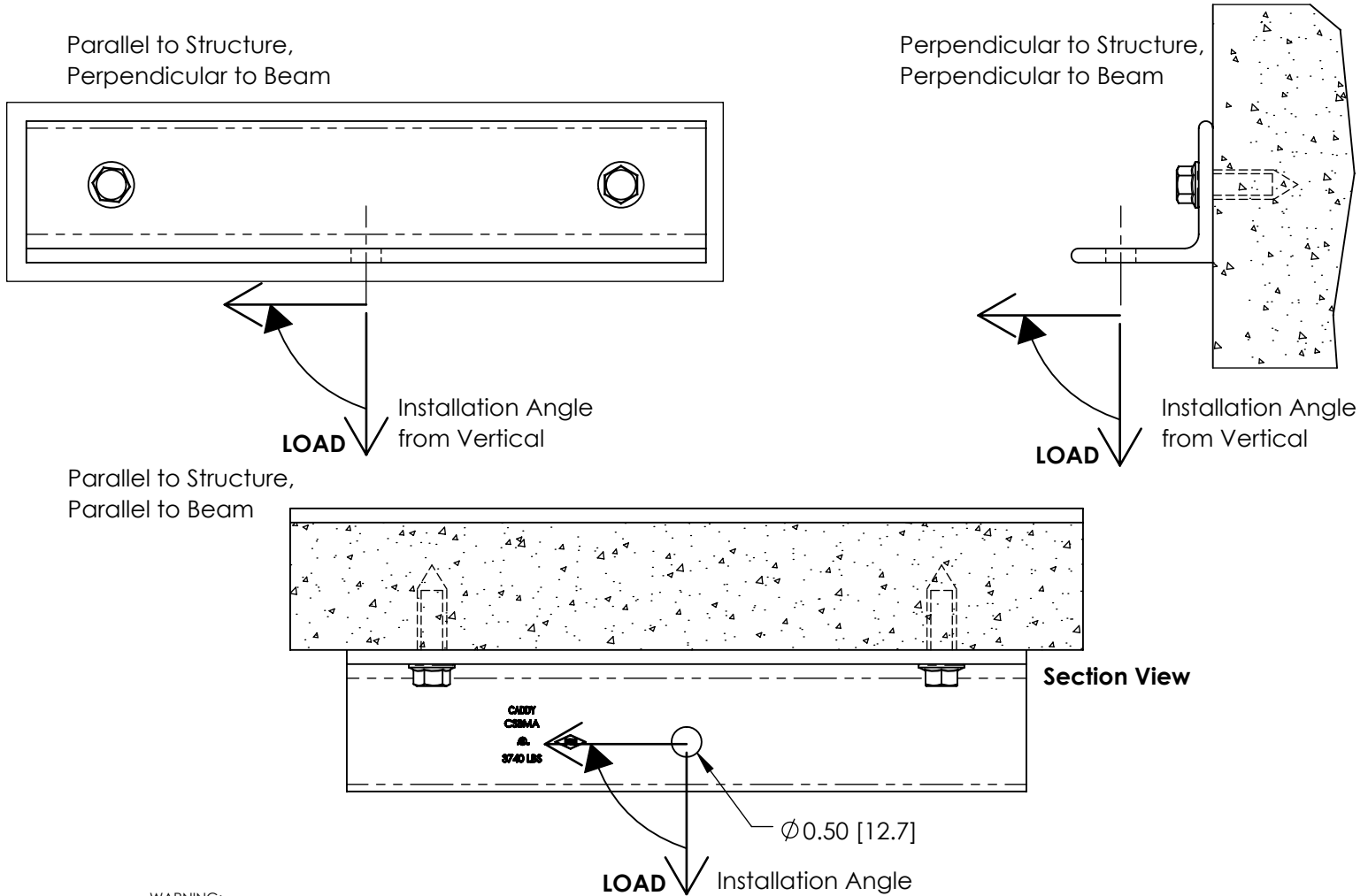
*(XX) = Finish Specifier

Sway Brace assemblies are intended to be installed in accordance with NFPA-13 and the manufacturer's installation instructions.

The required type, number, and size of fasteners used for the structure attachment fitting shall be in accordance with NFPA-13.

Only SAE grade 5 or higher strength fasteners are to be used when assembling other structural fittings or braces to CSBMA.

CSBMA is a Structural Attachment Fitting. It is intended to be combined with the CSBUNIV050(XX) and CSBU1.



WARNING:

- nVent products shall be installed and used only as indicated in nVent product instruction sheets and training materials. Instruction sheets are available at www.nVent.com and from your nVent customer service representative.
- nVent products must never be used for a purpose other than the purpose for which they were designed or in a manner that exceeds specified load ratings.
- All instructions must be completely followed to ensure proper and safe installation and performance.
- Improper installation, misuse, misapplication or other failure to completely follow nVent's instructions and warnings may cause product malfunction, property damage, serious bodily injury and/or death, and void your warranty.
- Products that are manufactured using spring steel components shall be used only in a non-corrosive indoor environment.
- All pipe supports, hangers, intermediate components and structural attachments must ONLY be used as described herein and are NEVER to be used for any other purpose.

NOTE: All load ratings are for static conditions and do not account for dynamic loading such as wind, water or seismic loads, unless otherwise noted.

The customer is responsible for:

- Conformance to all governing codes.
- The integrity of structures to which the products are attached, including their capability of safely accepting the loads imposed, as evaluated by a qualified engineer.
- Using appropriate industry standard hardware as noted above.

SAFETY INSTRUCTIONS:

All governing codes and regulations and those required by the job site must be observed. Always use appropriate safety equipment such as eye protection, hard hat, and gloves as appropriate to the application.

nVent, nVent CADDY, nVent ERICO Cadweld, nVent ERICO Critec, nVent ERICO, nVent ERIFLEX, and nVent LENTON are owned by nVent or its global affiliates. All other trademarks are the property of their respective owners. nVent reserves the right to change specifications without prior notice.

UL Loads (Listed for Structural Attachment)

Part Number	Structure Attachment Fitting	Parallel to Structure Perpendicular to Beam	Perpendicular to Structure Perpendicular to Beam	Parallel to Structure Parallel to Beam
CSBMA050050(XX)	CSBUNIV050(XX)	680 lb (3,025 N)		
	CSBU1	680 lb (3,025 N)		
	CSBURC12	1,100 lb (4,893 N)		
	CSBNPC12	1,300 lb (5,783 N)		
CSBMA050075(XX)	CSBUNIV050(XX)	680 lb (3,025 N)		
	CSBU1	680 lb (3,025 N)		
	CSBURC12	1,100 lb (4,893 N)		
	CSBNPC12	1,300 lb (5,783 N)		

1. Structure Attachment Fittings are not included with CSBMA050050(XX) and CSBMA050075(XX)

Part Number	FM Horizontal Load Ratings			
	Installation Angle			
	30° - 44°	45° - 59°	60° - 74°	75° - 90°
CSBMA050050(XX)	3,290 lb (14,630 N)	4,520 lb (20,100 N)	5,540 lb (24,640 N)	6,200 lb (27,570 N)
CSBMA050075(XX)	3,290 lb (14,630 N)	4,520 lb (20,100 N)	5,540 lb (24,640 N)	6,200 lb (27,570 N)

