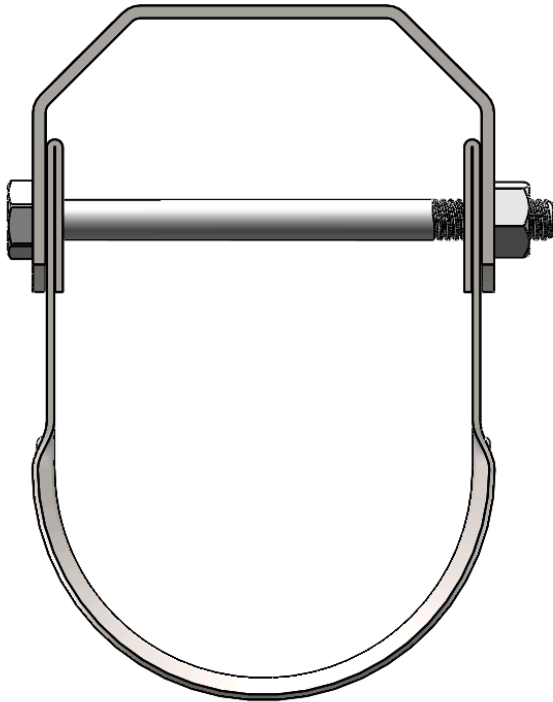


401/406/420 Series Clevis Hanger

- This product provides heavy duty support for stationery piping systems.
- All models are for use with ANSI®/MSS heavy duty rod sizes.
- Attachment to threaded rod provides for easy installation.

Finishes available:

401 Series: Electro-Galvanized
Hot Dip Galvanized, Red Oxide Paint
406 Series: Grade 304 and 316 Stainless Steel
420 Series: Epoxy Paint



For Nominal Pipe Size	Rod Size		Maximum Recommended Load (lbs.)	
	Inch	mm	Lbs	N
1/2" - 2"	3/8"	10	610	2710
2-1/2" - 3-1/2"	1/2"	12	1130	5020
4"	5/8"	16	1130	5020
5"	5/8"	16	1430	6360
6"	3/4"	20	1940	8620
8"	3/4"	20	2000	8890
10"	7/8"	22	3600	16000
12"	7/8"	22	3800	16900
14"	1"	24	4200	18680
16"	1"	24	4600	20460
18"	1-1/8"	27	4800	21350
20" - 24"	1-1/4"	30	4800	21350
30"	1-1/4"	30	6000	26680

WARNING:

1. ERICO products shall be installed and used only as indicated in ERICO product instruction sheets and training materials. Instruction sheets are available at www.erico.com and from your ERICO customer service representative.
2. ERICO products must never be used for a purpose other than the purpose for which they were designed or in a manner that exceeds specified load ratings.
3. All instructions must be **completely** followed to ensure proper and safe installation and performance.
4. Improper installation, misuse, misapplication or other failure to completely follow ERICO's instructions and warnings may cause product malfunction, property damage, serious bodily injury and death.
5. Products that are manufactured using spring steel components shall be used only in a non-corrosive indoor environment.
6. All pipe supports, hangers, intermediate components and structural attachments must **ONLY** be used as described herein and are **NEVER** to be used for any other purpose.

NOTE: All load ratings are for static conditions and do not account for dynamic loading such as wind, water or seismic loads, unless otherwise noted.

The customer is responsible for:

- a. Conformance to all governing codes.
- b. The integrity of structures to which the products are attached, including their capability of safely accepting the loads imposed, as evaluated by a qualified engineer.
- c. Using appropriate industry standard hardware as noted above.

SAFETY INSTRUCTIONS:

All governing codes and regulations and those required by the job site must be observed. Always use appropriate safety equipment such as eye protection, hard hat, and gloves as appropriate to the application.

ANSI is a registered trademark of American National Standards Institute.



CADDY, CADWELD, CRITEC, ERICO, ERIFLEX, ERITECH, and LENTON are registered trademarks of ERICO International Corporation.

TECHNICAL SUPPORT:
www.erico.com

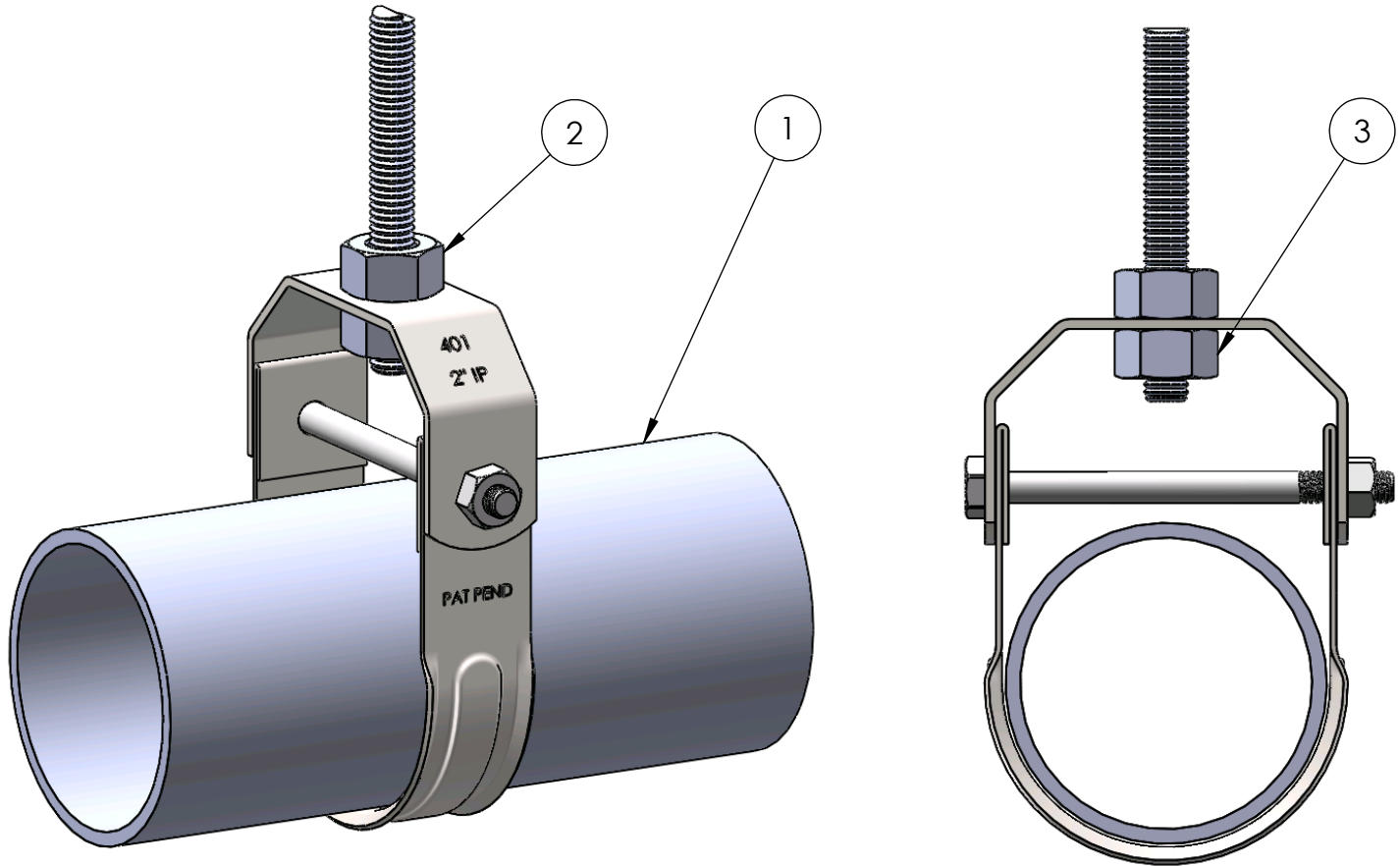
CFS293_J

1 OF 2

© 2000, 2002, 2003, 2004, 2005, 2010, 2012
ERICO International Corporation.

ERICO®

401/406/420 Series Clevis Hanger



Load

Installation Notes:

- 1) Slide or disassemble Clevis Hanger and place over pipe.
- 2) Install top nut on threaded rod. (Rod and nuts not included)
- 3) Insert threaded rod into Clevis Hanger and secure with bottom nut.



CADDY, CADWELD, CRITEC, ERICO, ERIFLEX, ERITECH, and LENTON are registered trademarks of ERICO International Corporation.

TECHNICAL SUPPORT:
www.erico.com

CFS293_J

2 OF 2

© 2000, 2002, 2003, 2004, 2005, 2010, 2012
ERICO International Corporation.

ERICO[®]