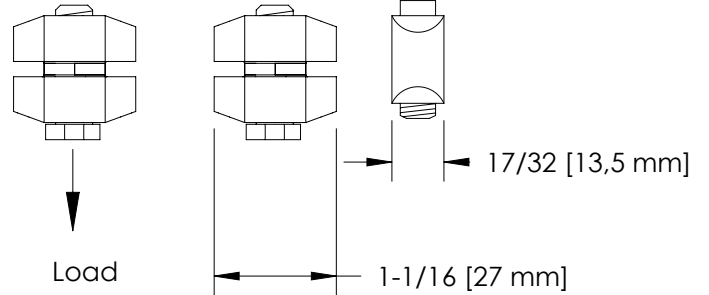
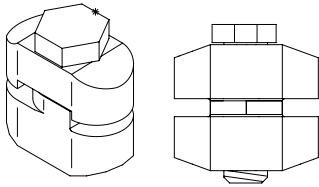


# STS Strut Nut (Strut to Strut)

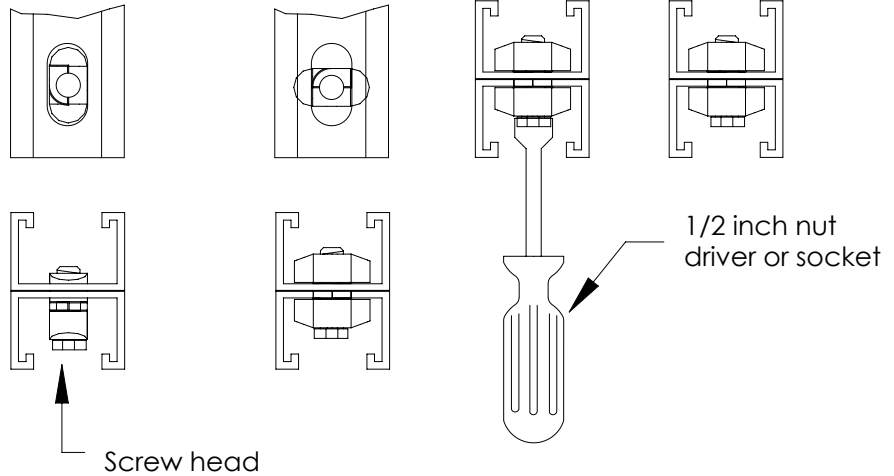
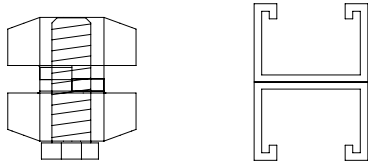
Part Number	Description	Working Load
STS 123456	Strut to strut clamp for use with half slot strut	*1000 lbs 4459 N

\*1000 lbs (4459 N) working load per total assembly  
Half slot dimensions vary by manufacturer. Minimum half-slot dimensions 9/16 x 7/8 in (14,3 x 22,2 mm).



The STS may be inserted from either side of the strut.

See more Contractor Tips on the next page.



1. Loosen bolt until the end of the bolt is flush with the STS clamp

2. Position strut back to back and align slots.

3. Insert STS parallel to the slot. making sure that the screw head is still accessible.

4. Twist the STS 90°

5. Tighten the STS until the strut assembly is secure.

**WARNING:**

- nVent products shall be installed and used only as indicated in nVent product instruction sheets and training materials. Instruction sheets are available at [www.nVent.com](http://www.nVent.com) and from your nVent customer service representative.
- nVent products must never be used for a purpose other than the purpose for which they were designed or in a manner that exceeds specified load ratings.
- All instructions must be **completely** followed to ensure proper and safe installation and performance.
- Improper installation, misuse, misapplication or other failure to completely follow nVent's instructions and warnings may cause product malfunction, property damage, serious bodily injury and/or death, and void your warranty.
- Products that are manufactured using spring steel components shall be used only in a non-corrosive indoor environment.
- All pipe supports, hangers, intermediate components and structural attachments must **ONLY** be used as described herein and are **NEVER** to be used for any other purpose.

NOTE: All load ratings are for static conditions and do not account for dynamic loading such as wind, water or seismic loads, unless otherwise noted.

The customer is responsible for:

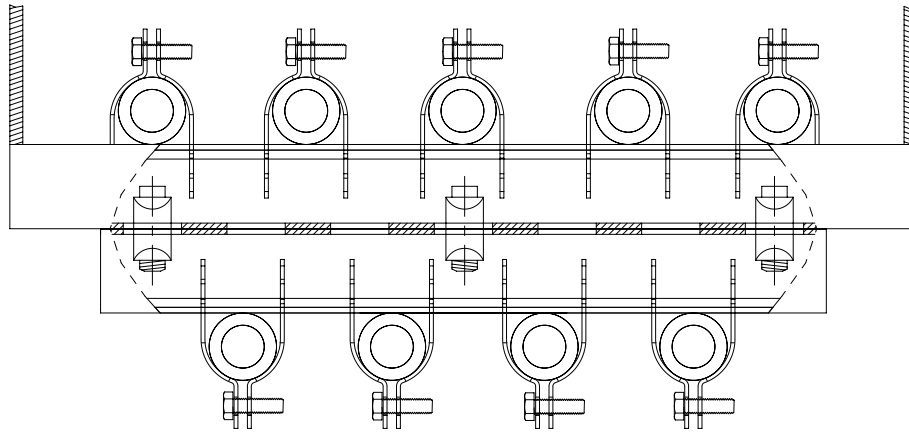
- Conformance to all governing codes.
- The integrity of structures to which the products are attached, including their capability of safely accepting the loads imposed, as evaluated by a qualified engineer.
- Using appropriate industry standard hardware as noted above.

**SAFETY INSTRUCTIONS:**

All governing codes and regulations and those required by the job site must be observed. Always use appropriate safety equipment such as eye protection, hard hat, and gloves as appropriate to the application.

nVent, nVent CADDY, nVent ERICO Cadweld, nVent ERICO Critec, nVent ERICO, nVent ERIFLEX, and nVent LENTON are owned by nVent or its global affiliates. All other trademarks are the property of their respective owners. nVent reserves the right to change specifications without prior notice.



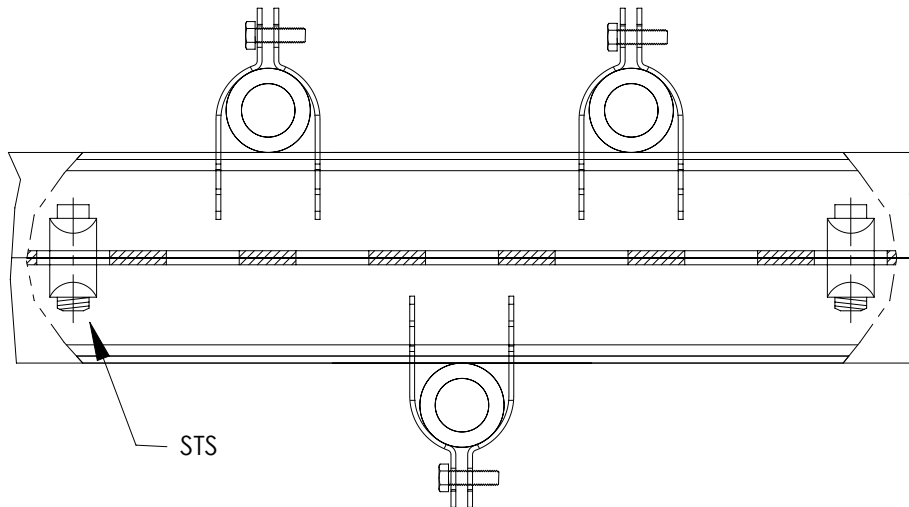


Spacing

Use one (1) STS every twelve (12) inches (305 mm), minimum of two (2) required.

Examples: Eight (8) inch (203 mm) piece of strut, two (2) STS are required.

Eighteen (18) inch (457 mm) piece of strut, three (3) STS are required.



Contractor Tips:

For pre-fab back to back strut, insert the STS from the top of the strut.

When using with tighter slots in the half slot strut, angle the STS over the edge of the strut. Proceed with installation.

Place a wad of paper/tissue in the bottom of the nut driver. Leave only the depth of the bolt head thickness opened.

