



**CONNECT AND PROTECT**

**Etsirack**

12/2022

  
nvent

**SCHROFF**

# Cabinets – Etsirack

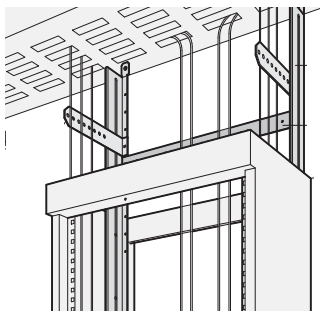
## OVERVIEW

### MAIN CATALOG

- Cabinets . . . . . 1
- Wall mounted cases . . . . . 2
- Accessories for cabinets and wall mounted cases . . . . . 3
- Climate control . . . . . 4
- Electronics cases . . . . . 5
- Subracks/ 19" chassis . . . . . 6
- Front panels, plug-in units . . . . . 7
- Systems . . . . . 8
- Power supply units . . . . . 9
- Backplanes . . . . . 10
- Connectors, front panel component system . . . . . 11
- Appendix . . . . . 12

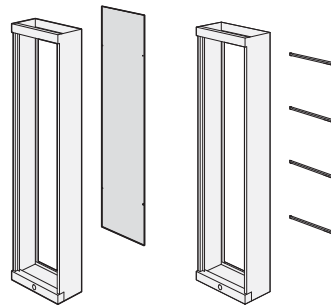


05601001 05601002



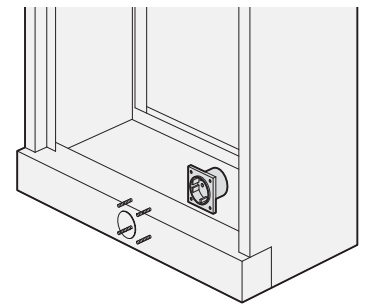
ETA43445

Top mounted cabling frame



eta43459 05605051

Optionally either rear panel or cable supports can be used



eta43449

Frame cover with integrated socket

### STANDARDS/CERTIFICATIONS

- External and internal dimensions in accordance with: IEC 48D and ETS 300119
- Type of protection: IP 20 in accordance with: IEC 60529
- Protective GND/earthing connections in accordance with: DIN EN 50178 / PU 0160

### MODIFICATIONS

- Special colours
- Special sizes
- Customised solutions

# Cabinets – Etsirack

## OVERVIEW

### METRIC FRAME FOR PUBLIC AND PRIVATE TELECOMMUNICATION NETWORKS

- In accordance with standards IEC 48 D and ETS 300 119
- Static load-carrying capacity up to 200 kg
- Top mounted cabling frame
- Back-to-back row layout is possible



05605001

#### CABINET FROM STOCK

- With perforated front door
- Can be completed on the rear either with rear panel or cable supports

#### SERVICEPLUS

e.g. modifications (cut-outs, special colours)  
e.g. custom solutions (special sizes)

Overview ..... 1.346

etsirack	
Frames .....	1.348
Mounting kit for back-to-back row layout .....	1.349
Rear panel .....	1.349
Cable support .....	1.349
Top mounted cabling frame .....	1.350
Mounting socket etsirack .....	1.350
Metric cable support .....	1.351
19" adaptors .....	1.351

Application  
examples..... 1.352

# Cabinets – Etsirack

## ETSIRACK FRAME



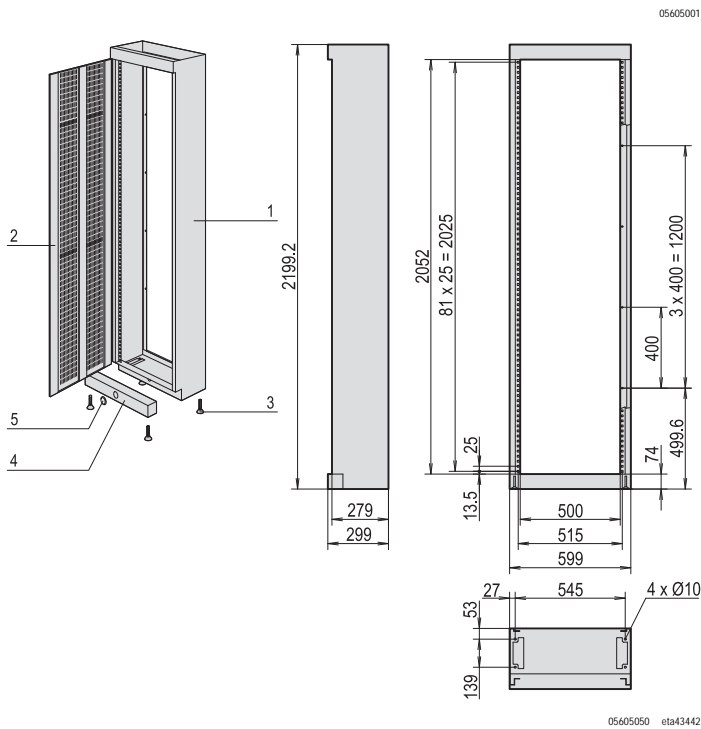
- Welded rack with metric grid hole spacing to ETS 300119-3
- Static load-carrying capacity 200 kg
- Mounting height 81 SU (1 SU = 25 mm)

### DELIVERY COMPRISES (assembled)

Item	Qty	Description
1	1	Frame, St, 2 mm, RAL 7035
2	1	Front door with perforation, St, 1.5 mm, RAL 7035 with safety lock incl. 2 keys, GND/earthing
3	4	Adjustable feet, St, zinc-plated, polyamide black
4	1	Base/plinth, St, 2 mm, RAL 7035
5	1	Blanking plug, polyamide, white, for socket cut-out

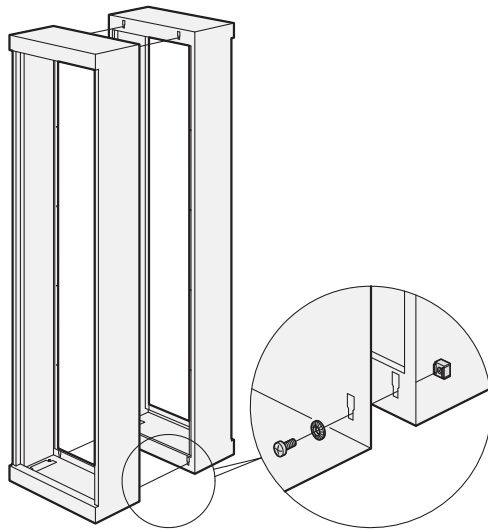
### ORDER INFORMATION

Height mm	Width mm	Depth mm	Qty	Part no.
2200	600	300	PU = 1 piece on a palette	<b>10125-010</b>
2200	600	300	PU = 2 pieces on a palette	<b>10125-011</b>
Side-by-side mounting kit etsirack PU 1 kit				<b>21190-793</b>
Mounting socket etsirack SCHUKO, 230 V/16 A, white, 1 piece				<b>21101-360</b>



# Cabinets – Etsirack

## MOUNTING KIT ETSIRACK FOR BACK-TO-BACK ROW LAYOUT



ETA43447

- For back-to-back mounting of two frames

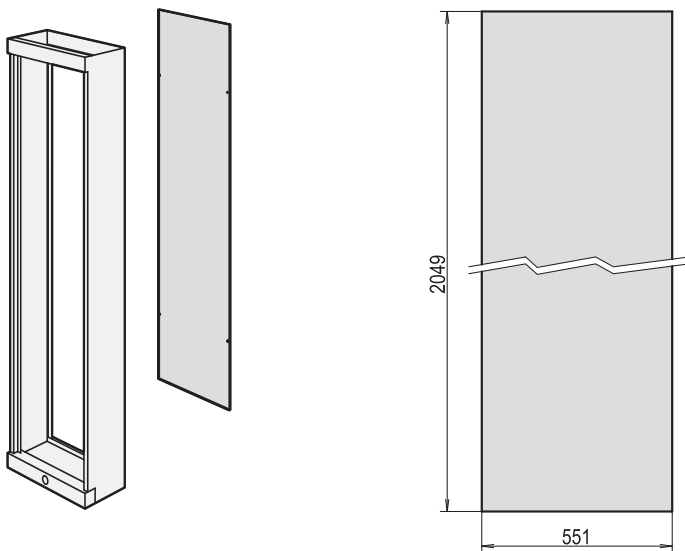
### DELIVERY COMPRISES

Item	Qty	Description
1	4	GND/earthing cage nut, washer, 1 screw M6 x 12

### ORDER INFORMATION

Description	Part no.
Mounting kit etsirack for back-to-back row layout	<b>21190-793</b>

## REAR PANEL



eta43459 eta43444

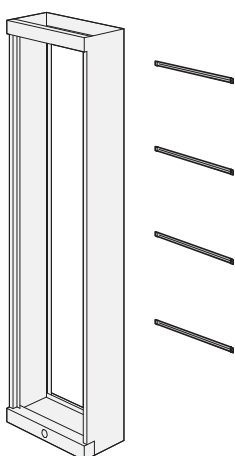
### DELIVERY COMPRISES

Item	Qty	Description
1	1	Rear panel, St, 1 mm, RAL 7035
2	1	GND/earthing kit (Cu wire 4 mm <sup>2</sup> green/yellow)
3	1	Assembly kit

### ORDER INFORMATION

Description	Part no.
Rear panel	<b>20125-021</b>

## CABLE SUPPORT



0560501

- Cable supports may be used in the etsirack in place of a rear panel

### DELIVERY COMPRISES

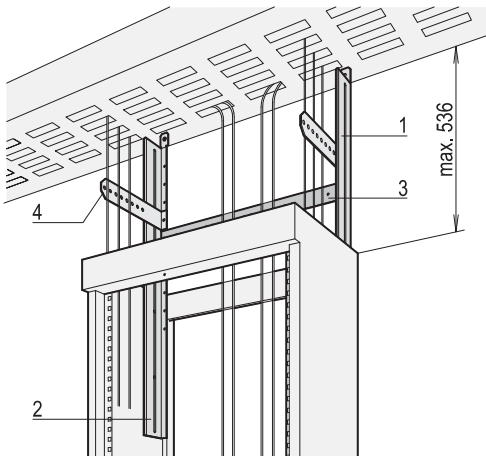
Item	Qty	Description
1	4	Cable support, St, 2 mm, RAL 7035
2	1	Assembly kit

### ORDER INFORMATION

Description	Part no.
Cable support	<b>20125-006</b>

# Cabinets – Etsirack

## TOP MOUNTED CABLING FRAME



ETA43445

- Extension length of the sliding bars on right and left: max. 536 mm

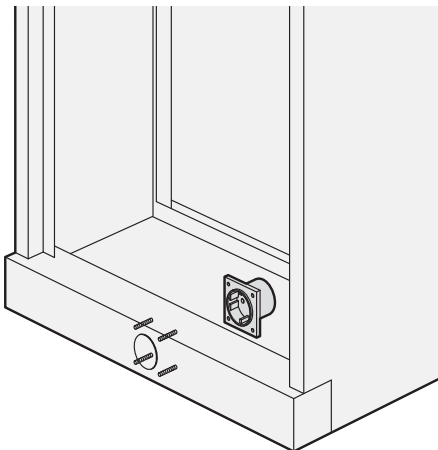
### DELIVERY COMPRISES (Kit)

Pos.	Menge	Beschreibung
1	1	Sliding bar on the right, St, 3 mm, zinc-plated
2	1	Sliding bar on the left, St, 3 mm, zinc-plated
3	1	Mounting rail, St, 3 mm, zinc-plated
4	2	Cable retention rail, St, 3 mm, RAL 7035
5	1	Assembly kit

### ORDER INFORMATION

Description	Part no.
Top mounted cabling frame	20125-005

## MOUNTING SOCKET ETSIRACK



ETA43449

- SCHUKO, 230 V<sub>AC</sub>, 16 A

### DELIVERY COMPRISES

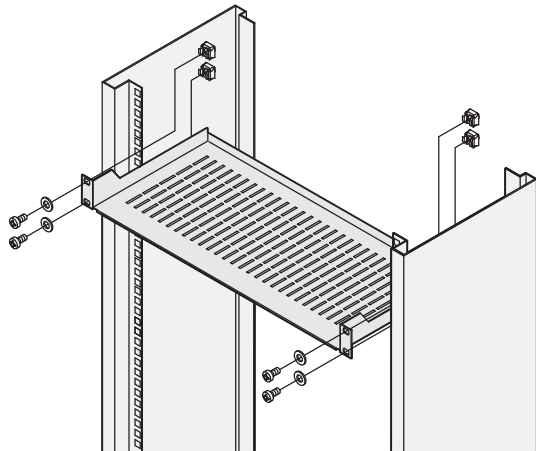
Item	Qty	Description
1	1	Mounting socket, SCHUKO, white
2	1	Assembly kit

### ORDER INFORMATION

Description	Part no.
Mounting socket etsirack	21101-360

# Cabinets – Etsirack

## METRIC EQUIPMENT SHELF



05601501

- For the installation in metric frames (assembly dimension 515 mm)
- Load carrying capacity 10 kg
- Mounting height 49 mm

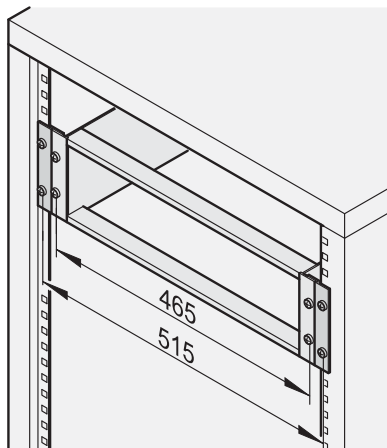
### DELIVERY COMPRISES

Item	Qty	Description
1	1	Equipment shelf, St, 1.5 mm, RAL 7035
2	1	GND/earthing material
3	1	Assembly kit

### ORDER INFORMATION

Width mm	Depth mm	Part no.
497	222	<b>20118-686</b>

## 19" ADAPTOR



b2a44292

- The 19" adaptor allows 19" components to be installed in the metric etsi-rack
- Equal clearances are obtained above and below between the 19" adaptor and the metric height increments

### DELIVERY COMPRISES

Item	Qty	Description
1	2	19"/metric adaptor, Al extrusion, clear chromated
2	1	Assembly kit

### ORDER INFORMATION

Height U	Clearance mm	Part no.
3	above/below 8.8 mm each	<b>20838-084</b>
6	above/below 4.6 mm each	<b>20838-086</b>
45	none	20125-018

### NOTE

- Assembly dimensions and clearances see Internet

# Cabinets – Etsirack

SERVICEPLUS: SOLUTION - PROJECT EXAMPLES

---



## FRENCH TELECOM

---

- With perforated front door
- Special top mounted cabling frame

05605003



## GERMAN TELECOM

---

- Front door drawn out for more space
- Rear panel included
- Lever handle instead of safety lock

05605003



# Cabinets – Etsirack

## North America

Warwick, RI, USA

Tel +1.401.738.1722

San Diego, CA, USA

Tel +1.858.740.2400

## Europe, Middle East & India

Straubenhardt, Germany

Tel +49 7082 794 0

Betschdorf, France

Tel +33 3 88 90 64 90

Warsaw, Poland

Tel +48 22 209 98 35

Hemel Hempstead,

Great Britain

Tel +44 1442 24 04 71

Lainate, Italy

Tel +39 02 932 714 1

Dubai, United Arab Emirates

Tel +971 4 82 38 666

Bangalore, India

Tel +91 80 6715 8900

Istanbul, Turkey

Tel +90 541 368 0941

## Asia Pacific

Shanghai, China

Tel +86 21 2412 6943

Singapore

Tel +65 6768 5800

Shin-Yokohama, Japan

Tel +81 45 476 0271

Our powerful portfolio of brands:

**CADDY ERICO HOFFMAN RAYCHEM SCHROFF TRACER**



[nVent.com/SCHROFF](https://www.nvent.com/SCHROFF)