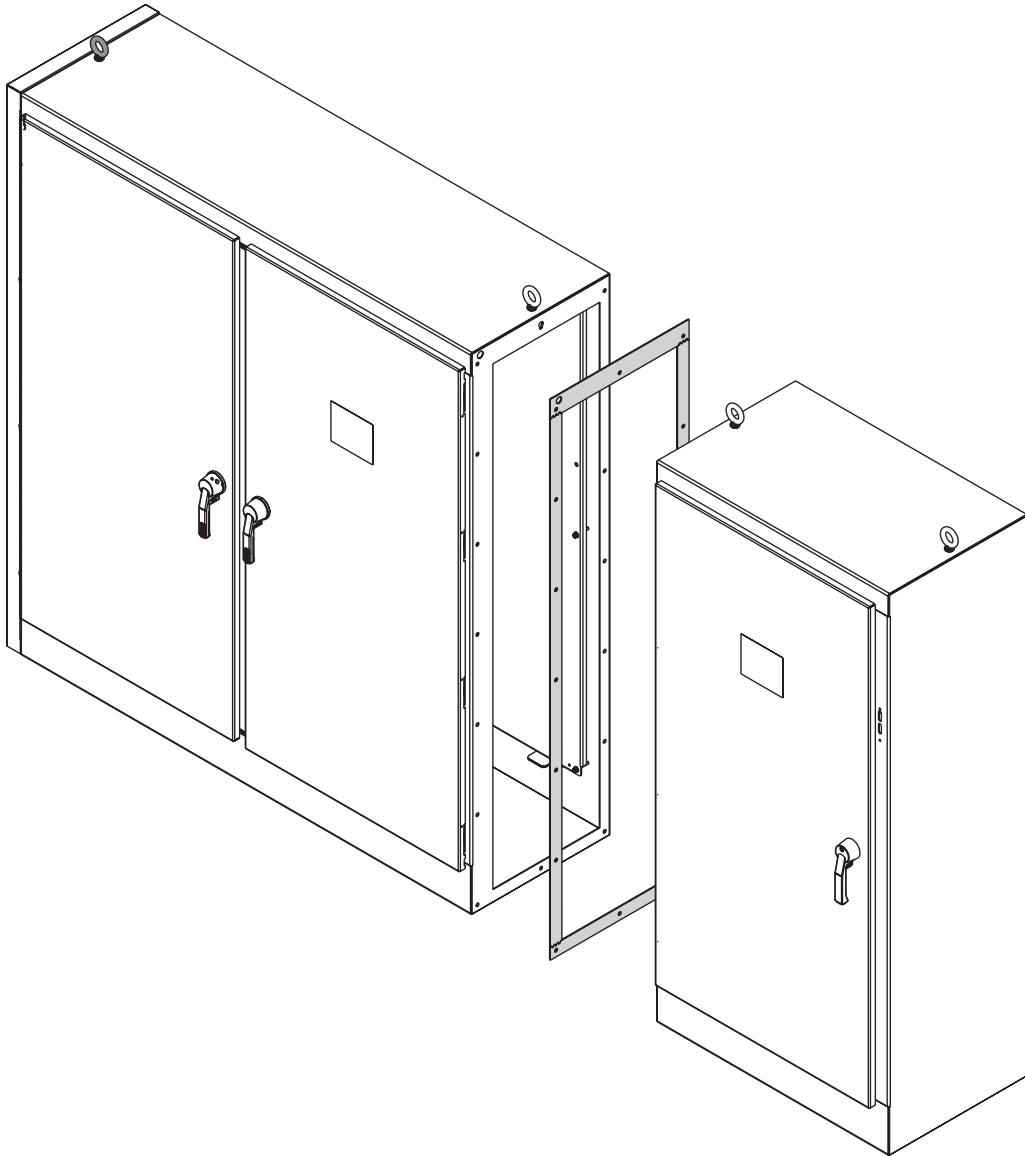
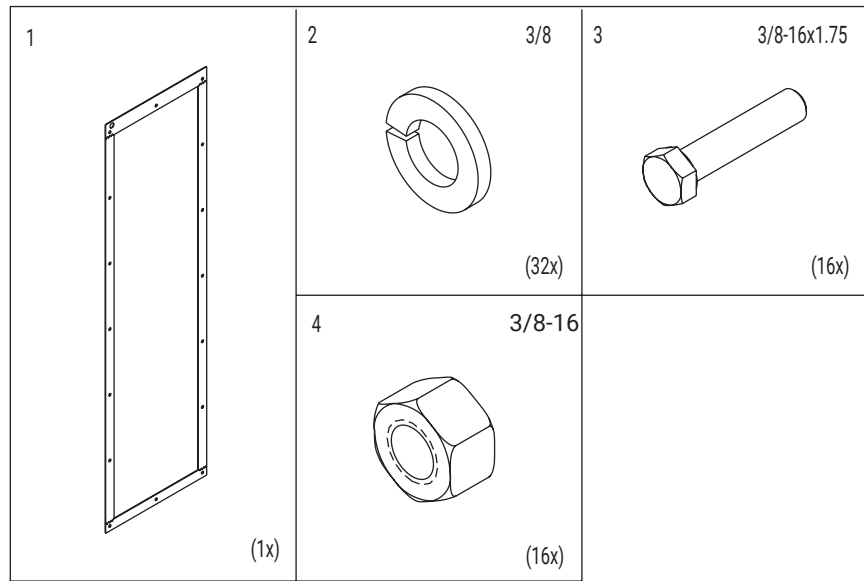
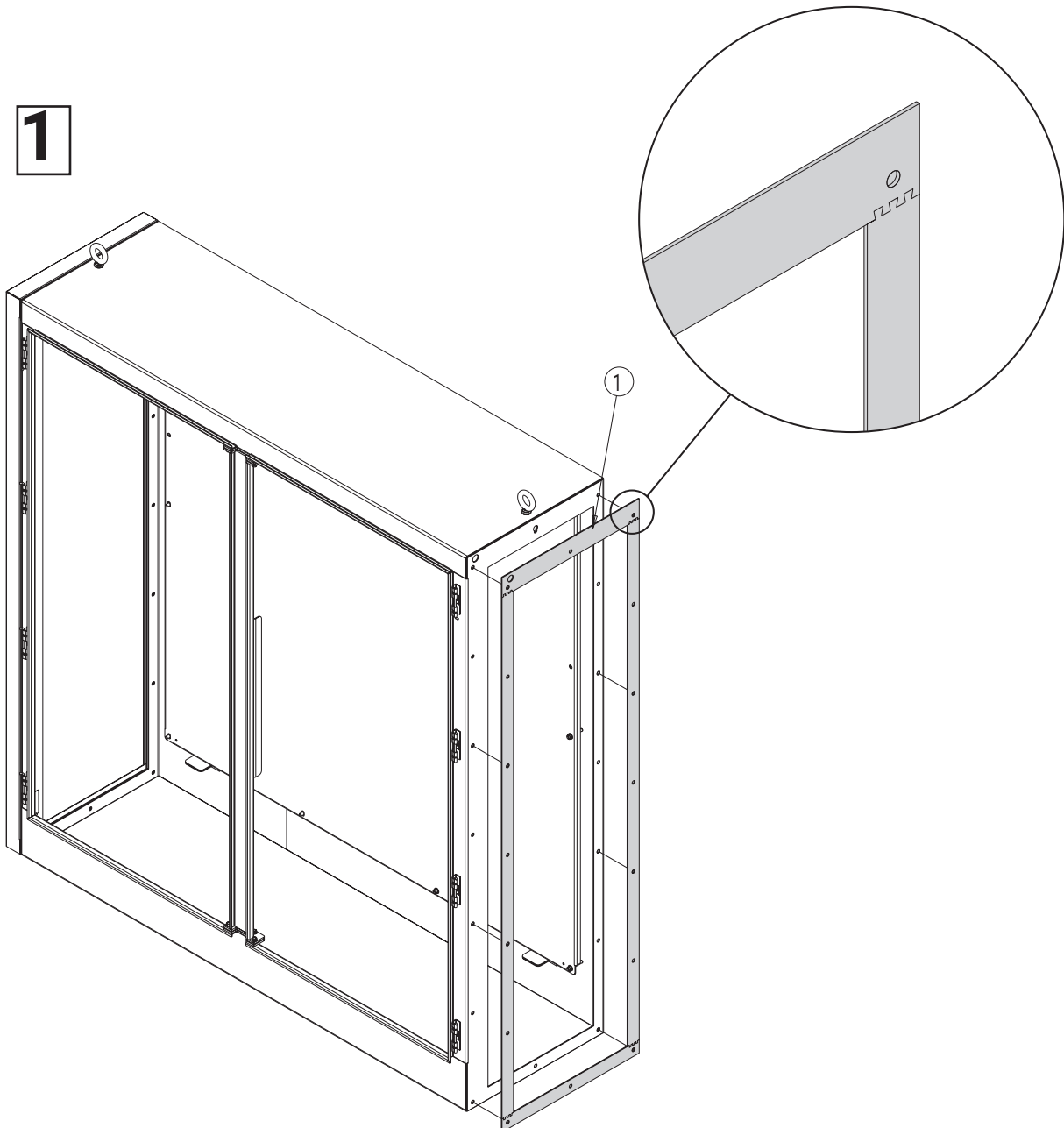


Universal Free-Stand Enclosure Baying Gasket Kit



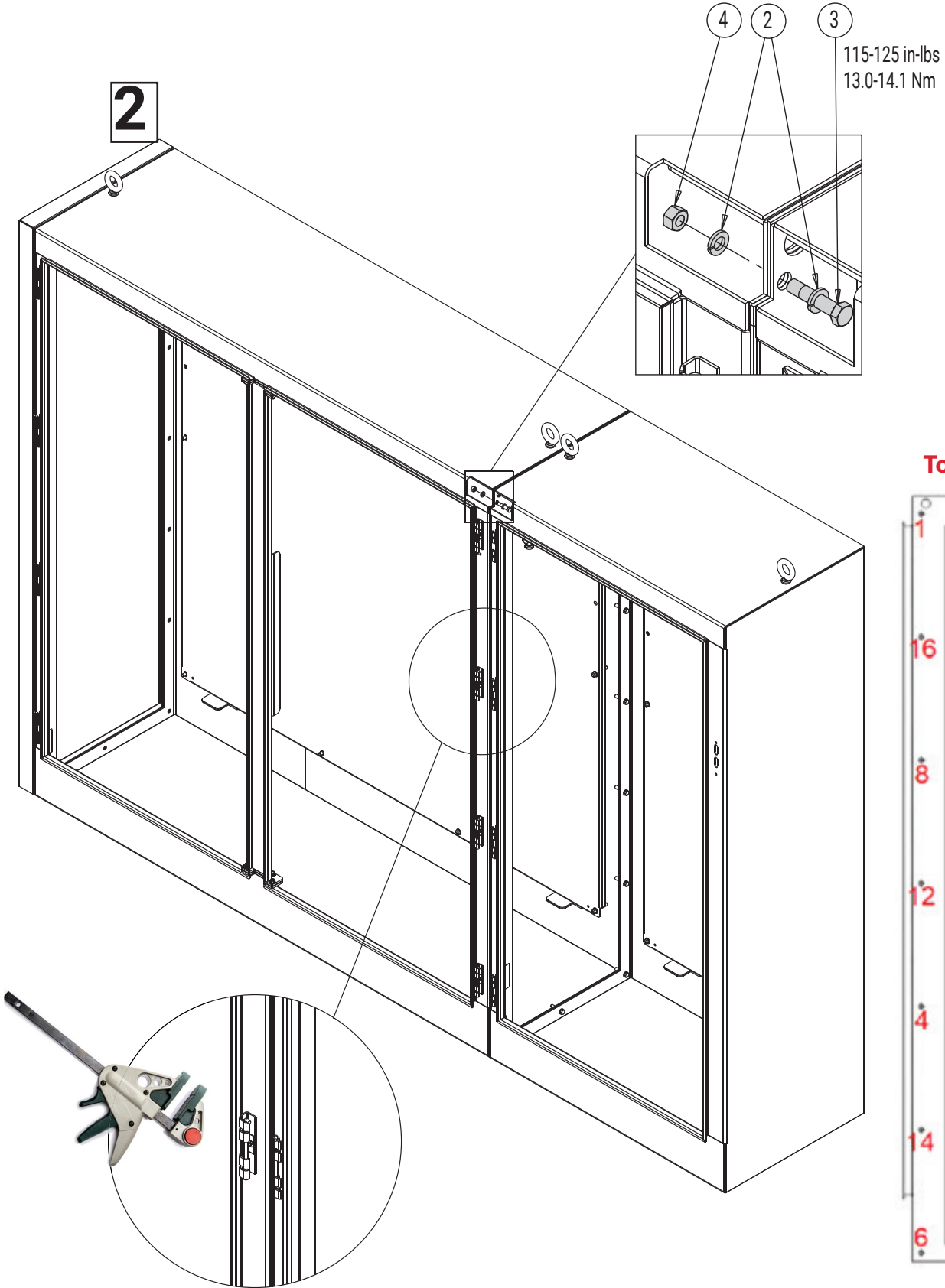


1



Ganging Disconnect Enclosure with Universal Free-Stand Enclosure

- To align baying holes, a large screwdriver or alignment punch can be used.
- Clamps can also be used to hold the frames together. Clamp the frames together through the openings of the removed doors.
- Install and torque baying hardware.

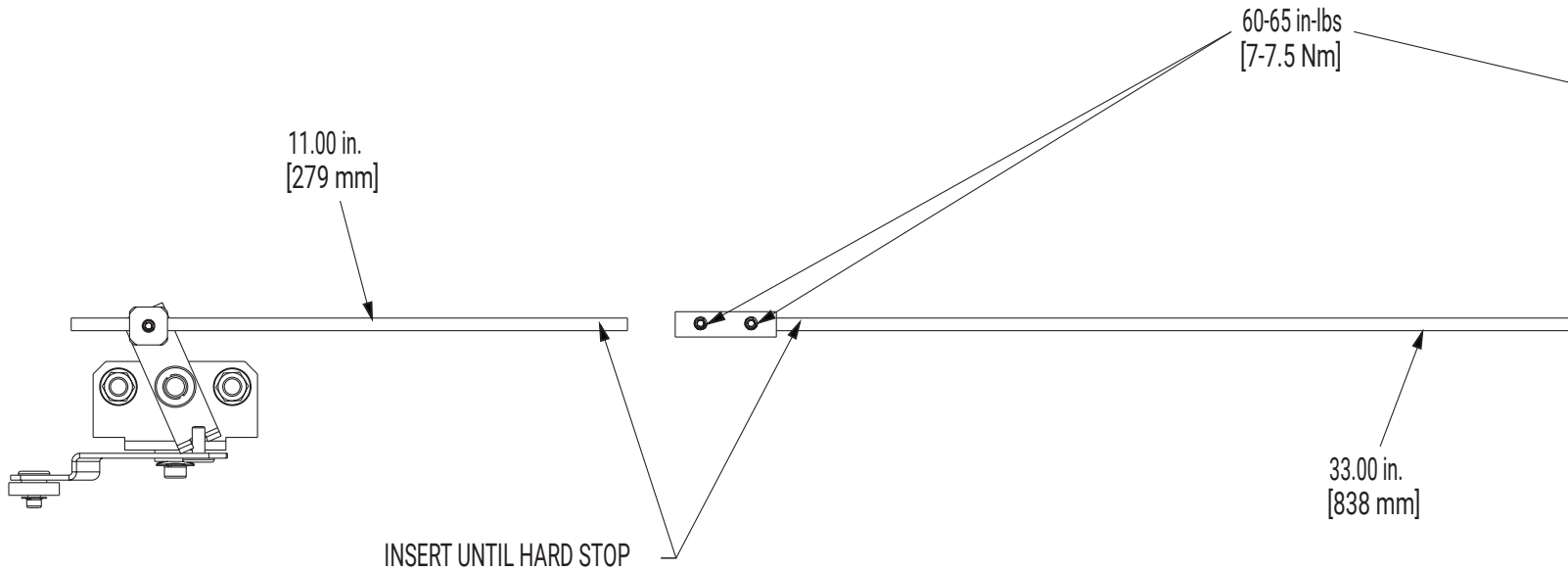


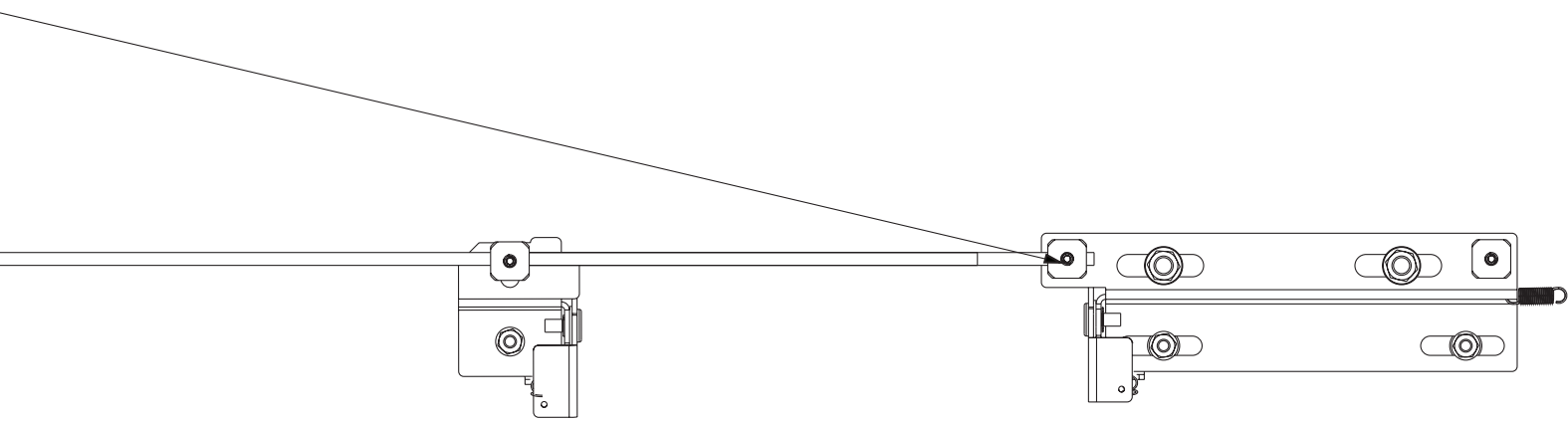
Connecting Interlock

1. Open primary enclosure door (Left Side Open Model)
2. Install provided connecting rod through all interlock components
3. Torque all set screws connection to 60-65 in-lbs (7-7.5 Nm)
4. Close primary door to activate interlocks

NOTE: Image shown is the view from the back of enclosure to show set screws. If looking at the enclosure from the front, the interlock components would be opposite.

3

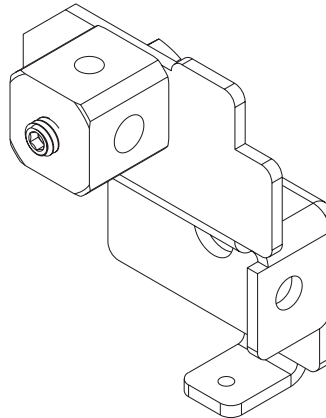
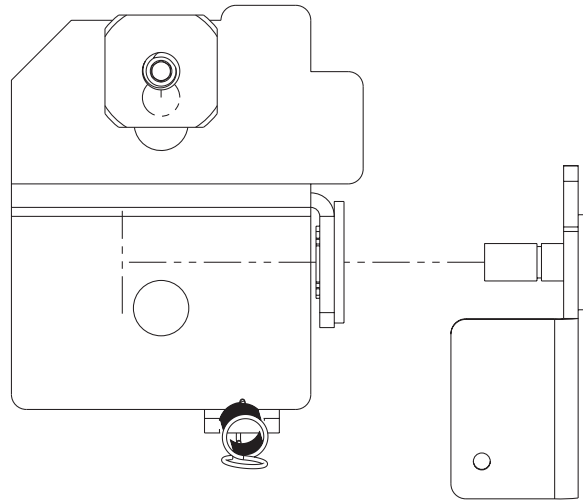
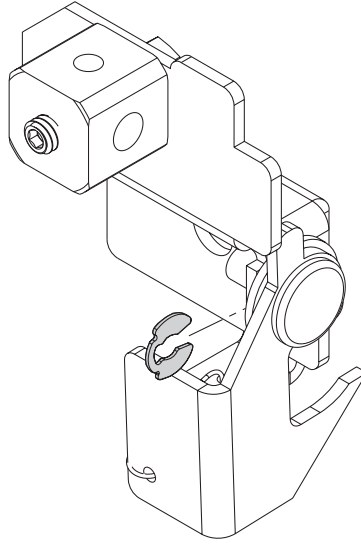




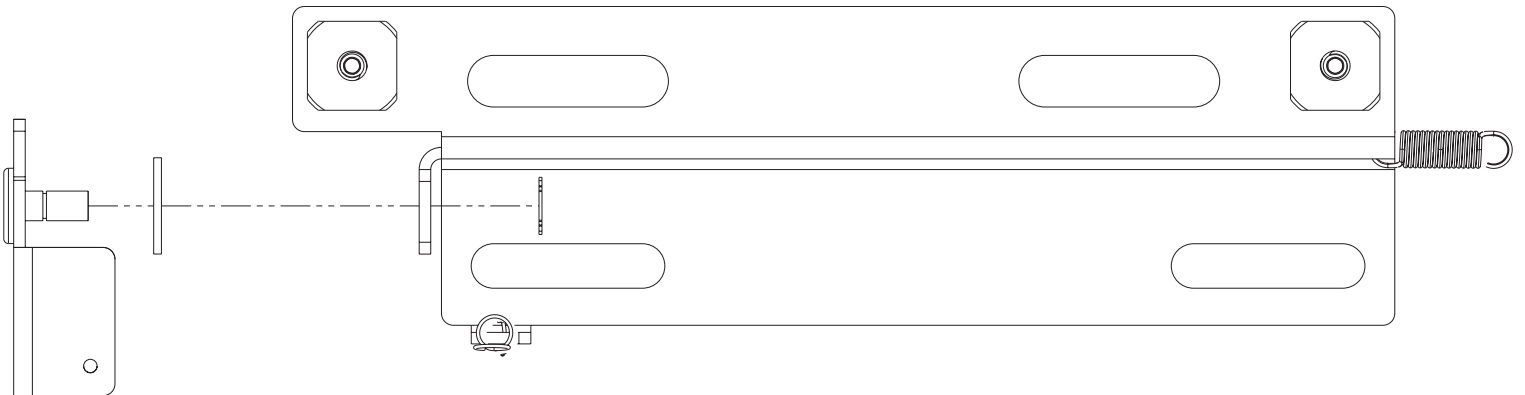
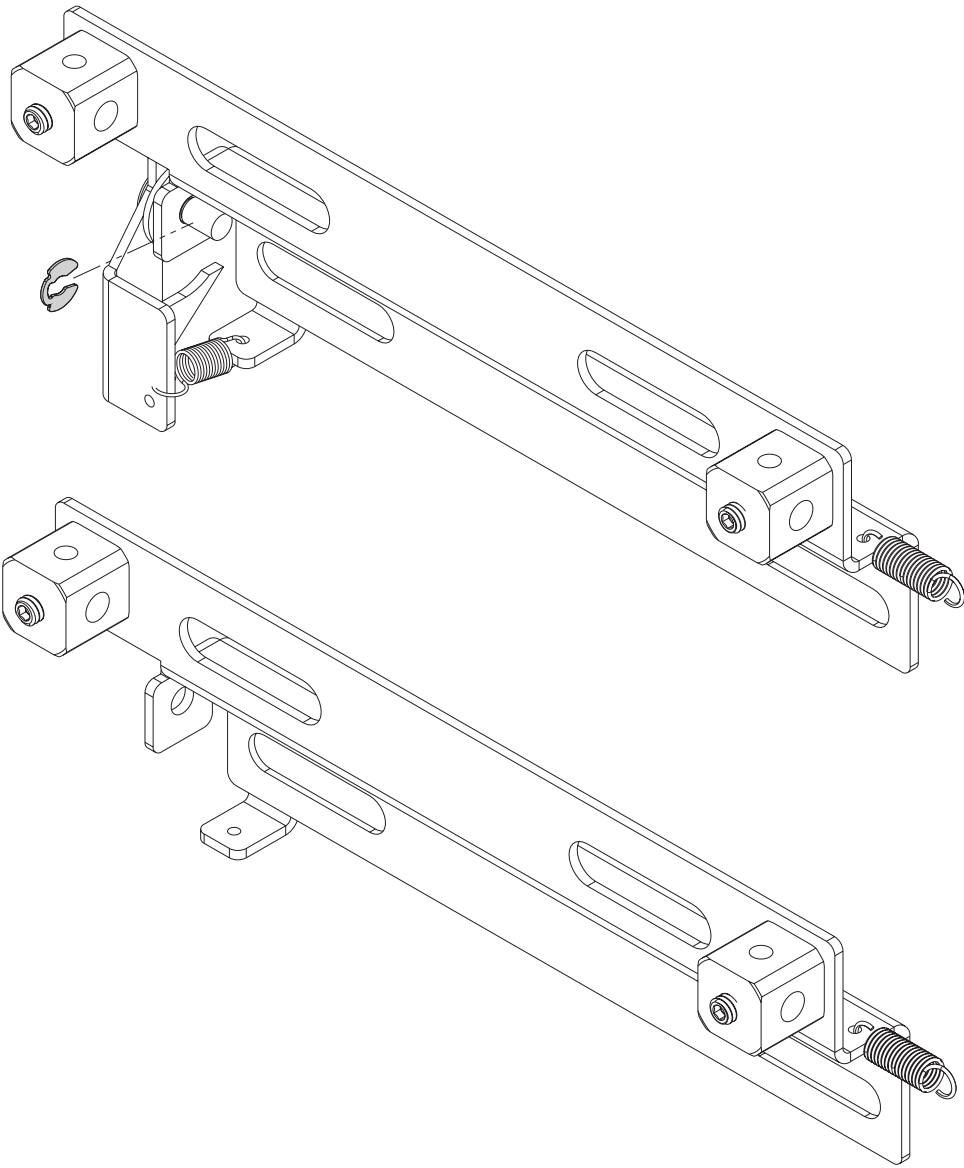
Decoupling Interlock Hook for Low Voltage Bays

Remove e-clip from disconnect bracket and remove disconnect hook.

4



5



Notes