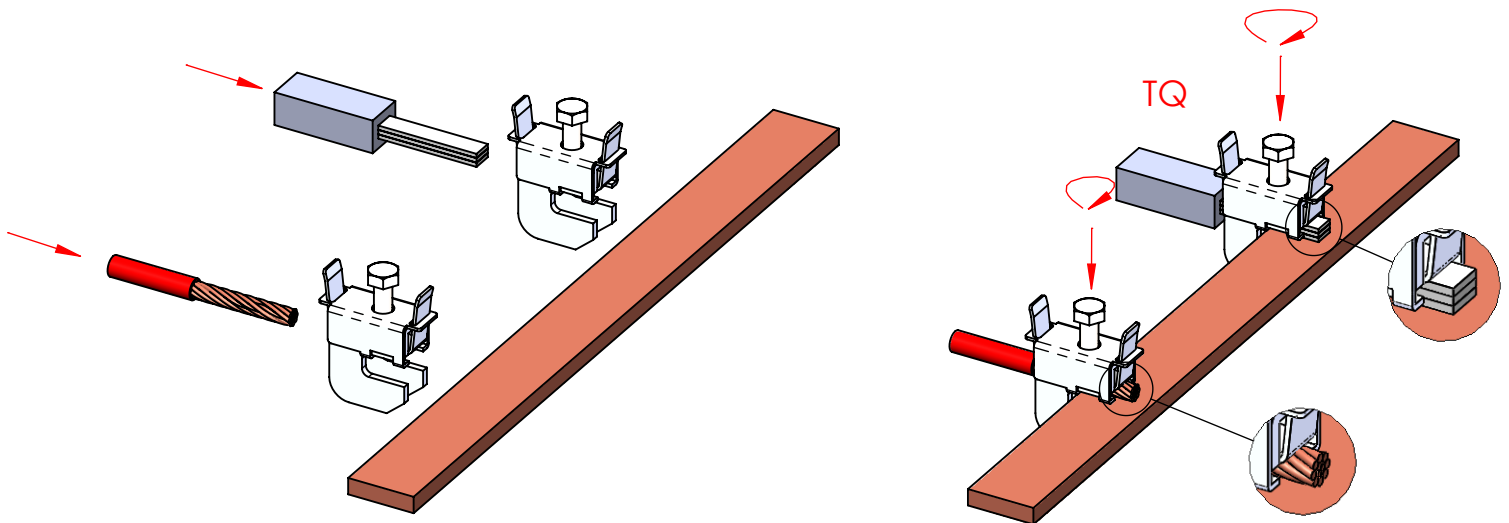
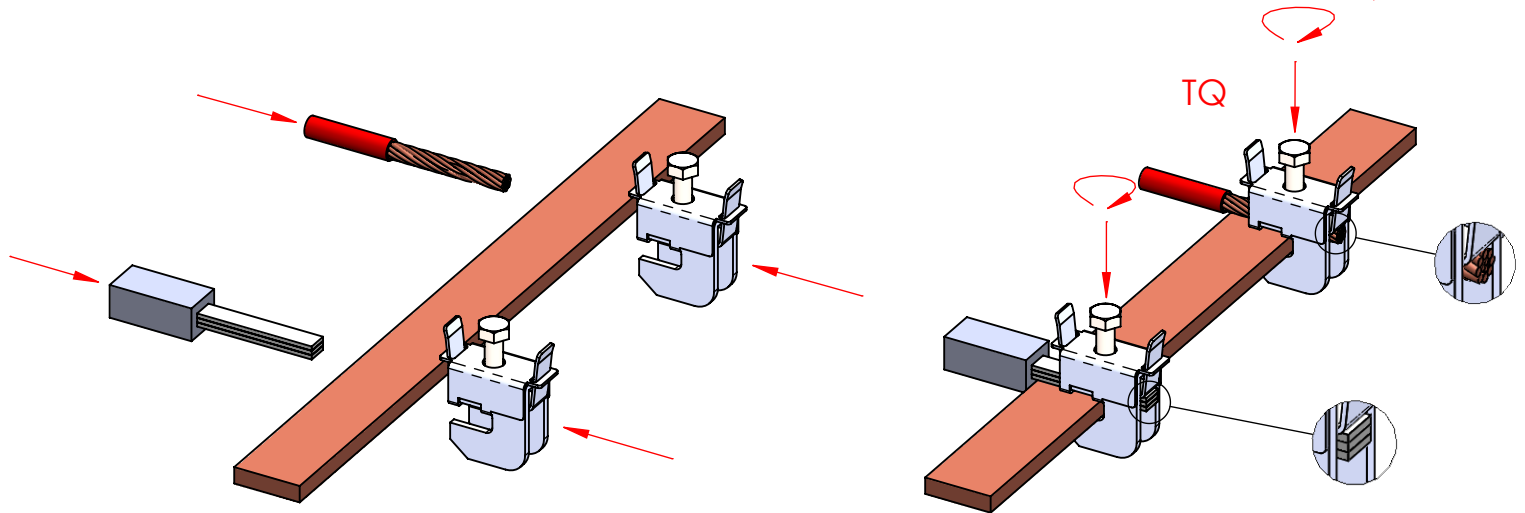
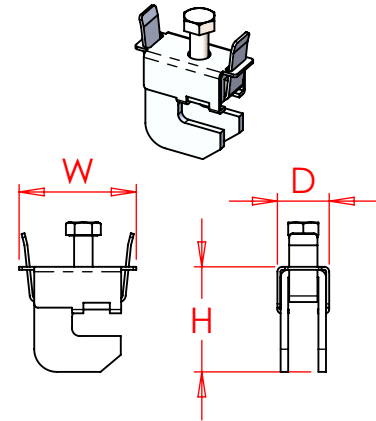


FBC nVent ERIFLEX Flexibar/cable to busbar clamp

Description	Part number	Busbar thickness	Conductor Size	Conductor Width	Depth D	Height H	Width W	Torque TQ	Weight
FBC5X4	553405	5 mm	1 - 4 mm ²	–	11 mm	23 mm	29 mm	2 N.m	0,016 kg
FBC5X6	553400	5 mm	2,5 - 16 mm ²	6,0 mm	14 mm	28 mm	31 mm	3 N.m	0,028 kg
FBC5X9	553410	5 mm	16 - 50 mm ²	9,0 mm	19 mm	36 mm	40 mm	6 - 8 N.m	0,068 kg
FBC5X15-5	553510	5 mm	35 - 70 mm ²	15,5 mm	25 mm	44 mm	40 mm	10 - 12 N.m	0,110 kg
FBC5X20	553520	5 mm	70 - 185 mm ²	20,0 mm	31 mm	48 mm	40 mm	12 - 15 N.m	0,132 kg
FBC10X4	553505	10 mm	1 - 4 mm ²	–	12 mm	28 mm	29 mm	2 N.m	0,018 kg
FBC10X6	553430	10 mm	2,5 - 16 mm ²	6,0 mm	14 mm	33 mm	31 mm	3 N.m	0,030 kg
FBC10X9	553440	10 mm	16 - 50 mm ²	9,0 mm	19 mm	42 mm	40 mm	6 - 8 N.m	0,070 kg
FBC10X15-5	553530	10 mm	35 - 70 mm ²	15,5 mm	25 mm	49 mm	40 mm	10 - 12 N.m	0,112 kg
FBC10X20	553540	10 mm	70 - 185 mm ²	20,0 mm	31 mm	54 mm	40 mm	12 - 15 N.m	0,138 kg



WARNING:

1. nVent products shall be installed and used only as indicated in nVent product instruction sheets and training materials. Instruction sheets are available at www.nVent.com and from your nVent customer service representative.
2. nVent products must never be used for a purpose other than the purpose for which they were designed or in a manner that exceeds specified load ratings.
3. All instructions must be **completely** followed to ensure proper and safe installation and performance.
4. Improper installation, misuse, misapplication or other failure to completely follow nVent's instructions and warnings may cause product malfunction, property damage, serious bodily injury and/or death, and void your warranty.

SAFETY INSTRUCTIONS:

All governing codes and regulations and those required by the job site must be observed. Always use appropriate safety equipment such as eye protection, hard hat, and gloves as appropriate to the application.

nVent, nVent CADDY, nVent ERICO Cadweld, nVent ERICO Critec, nVent ERICO, nVent ERIFLEX, and nVent LENTON are owned by nVent or its global affiliates. All other trademarks are the property of their respective owners. nVent reserves the right to change specifications without prior notice.