

ERICO® CU-BOND Round Conductor Supports

Flush Mount, 50 mm Stand-off, 150 mm Stand-off

Table 1: Product Information					
Part Number*	Figure	Stand-off Height	Hole Spacing	ERICO Conductors	Product Material
CSS0810000	2	5 mm [0.2 in]	80 mm [3.15 in]	CBSC8 and CBSC10 (8 to 10 mm diameter)	Stainless Steel
CSS0810050	3	50 mm [2.0 in]			
CSS0810150	4	150 mm [5.9 in]			
CSS1314000	2	5 mm [0.2 in]	80 mm [3.15 in]	CBSC13 and CBSC14 (13.2 to 14.2 mm diameter)	
CSS1314050	3	50 mm [2.0 in]			
CSS1314150	4	150 mm [5.9 in]			
CSS1618000	2	5 mm [0.2 in]	80 mm [3.15 in]	CBSC16 and CBSC18 (15.7 to 17.7 mm diameter)	
CSS1618050	3	50 mm [2.0 in]			

*All parts listed meet IEC® 62561-4 for metallic fasteners when used with ERICO CU-BOND Round Conductor. Per IEC 62561-4: Maximum Lateral Load is 200 N [44.9 lbf]. Maximum Axial Load is 50 N [11.2 lbf].

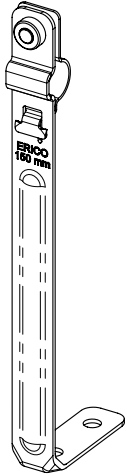


Figure 1

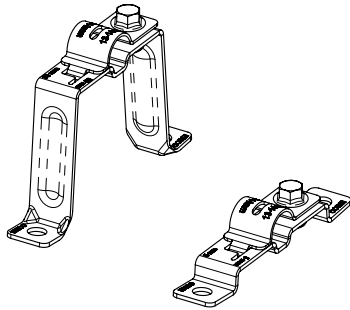


Figure 2

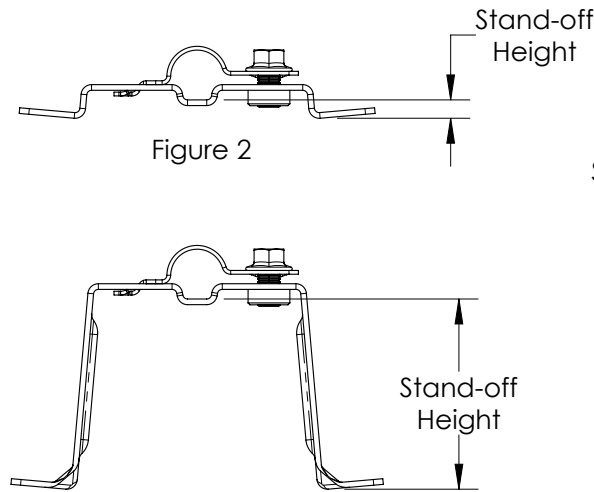


Figure 3

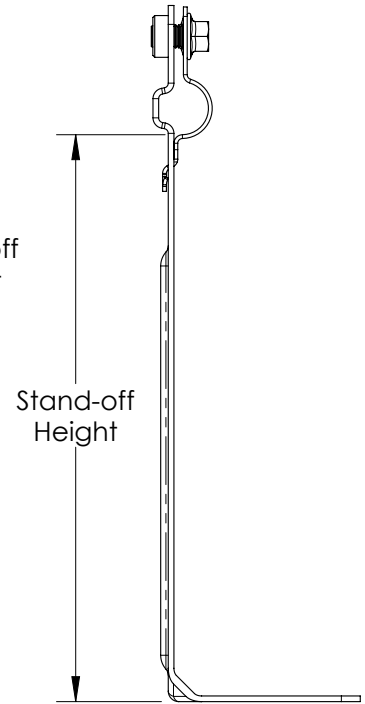


Figure 4

WARNING:

1. ERICO products shall be installed and used only as indicated in ERICO product instruction sheets and training materials. Instruction sheets are available at www.erico.com and from your ERICO customer service representative.
2. ERICO products must never be used for a purpose other than the purpose for which they were designed or in a manner that exceeds specified load ratings.
3. All instructions must be completely followed to ensure proper and safe installation and performance.
4. Improper installation, misuse, misapplication or other failure to completely follow ERICO's instructions and warnings may cause product malfunction, property damage, serious bodily injury and death.

SAFETY INSTRUCTIONS:

All governing codes and regulations and those required by the job site must be observed. Always use appropriate safety equipment such as eye protection, hard hat, and gloves as appropriate to the application.



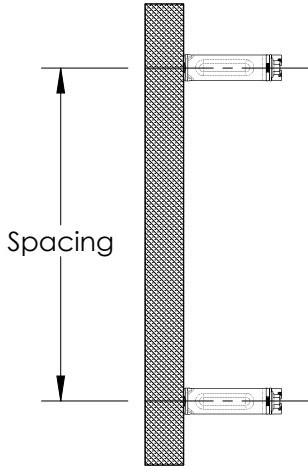
CADDY, CADWELD, CRITEC, ERICO, ERIFLEX, ERITECH, and LENTON are registered trademarks of ERICO International Corporation.

ERICO® CU-BOND Round Conductor Supports

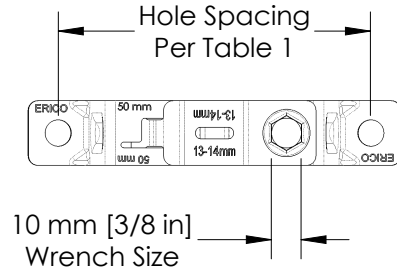
Flush Mount, 50 mm Stand-off, 150 mm Stand-off

Installation Instructions:

1) Determine support positions according to spacing requirements.

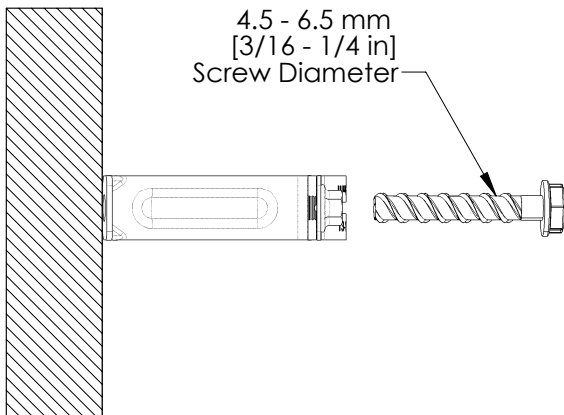


2) Determine mounting hole locations per Table 1.
Pre-drill holes if necessary.



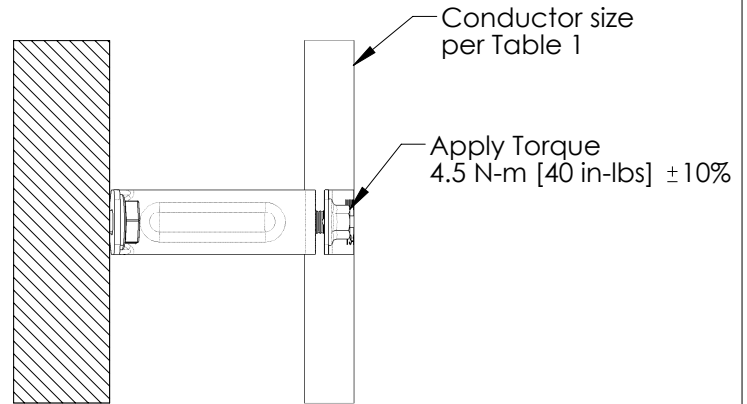
3) Position support on flat surface.

Fasten to surface using screws or bolts (not included) as required per the application. Use anchors if necessary.



4) Open top clamp and lay in conductor.

Close top clamp and tighten clamping bolt to the specified torque.



WARNING:

1. ERICO products shall be installed and used only as indicated in ERICO product instruction sheets and training materials. Instruction sheets are available at www.erico.com and from your ERICO customer service representative.
2. ERICO products must never be used for a purpose other than the purpose for which they were designed or in a manner that exceeds specified load ratings.
3. All instructions must be completely followed to ensure proper and safe installation and performance.
4. Improper installation, misuse, misapplication or other failure to completely follow ERICO's instructions and warnings may cause product malfunction, property damage, serious bodily injury and death.

SAFETY INSTRUCTIONS:

All governing codes and regulations and those required by the job site must be observed. Always use appropriate safety equipment such as eye protection, hard hat, and gloves as appropriate to the application.



CADDY, CADWELD, CRITEC, ERICO, ERIFLEX, ERITECH, and LENTON are registered trademarks of ERICO International Corporation.