

# PTF nVent CADDY Pyramid Tool Free

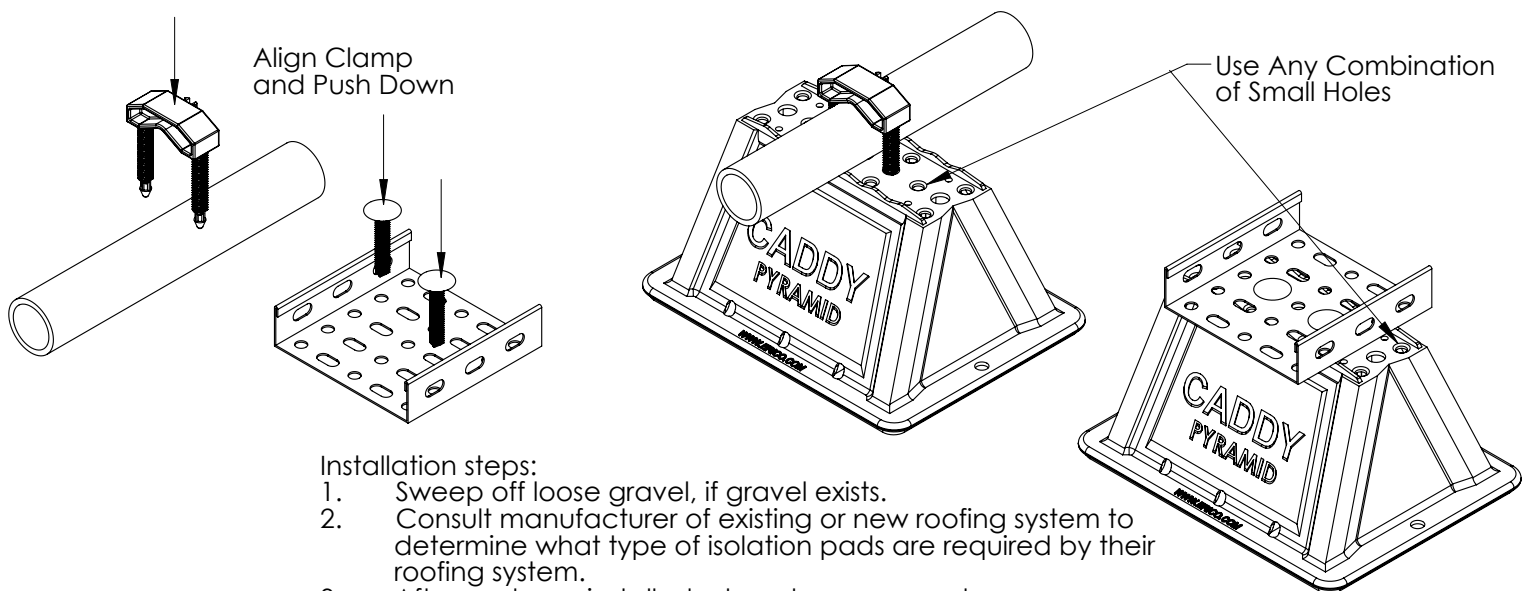
## nVent CADDY Pyramid Tool Free Instructions

Part Number	Article Number	Description	Max. Number Pipe Clamps		Max. Cable Tray Width	Max. Rec. Load*
			PTF1C	PTF2C	in[mm]	LBF[N]
PTF6	360460	Fixed Height Tool-Free Support: 4 In.[101mm] Tall, 5.5 In.[139mm] Long	3	1	5.5[140]	300[1334]
PTF6P	360518		-	-		
PTF10	360461	Fixed Height Tool-Free Support: 4 In.[101mm] Tall, 10 In.[254mm] Long	5	2	10[250]	1000[4450]
PTF10P	360519		-	-		
PTF16	360462	Fixed Height Tool-Free Support: 4 In.[101mm] Tall, 16 In.[406mm] Long	7	3	16[400]	1500[6670]
PTF16P	360522		-	-		
PTF1C	360484	Tool-Free Rooftop Pipe Clamp: 3/8" - 1" NPS Pipe [10-25 DN Pipe]	-	-	-	-
PTF2C	360485	Tool-Free Rooftop Pipe Clamp: 1" - 2" NPS Pipe [15-50 DN Pipe]	-	-	-	-
PTFP	360521	Tool-Free Rooftop Cable Tray Retainer Pin: 0.8" [20mm] Head Diameter	-	-	-	-

\*Maximum recommended load at 10.6 psi [73 kpa] roof loading. Contact project or roofing engineer for maximum allowable load on individual project roof system.

\*All loads are assumed to be uniformly distributed.

nVent does not recommend the use of nVent CADDY PYRAMID TF series supports on sloped rooftops with more than 1/12 pitch unless there is a structural attachment of the supports to the roof structure.



### Installation steps:

1. Sweep off loose gravel, if gravel exists.
2. Consult manufacturer of existing or new roofing system to determine what type of isolation pads are required by their roofing system.
3. After pads are installed, place bases on pads.
4. Place pipe in desired location on support.
5. Push clamp down through top holes for pipe retention.

### WARNING:

1. nVent products shall be installed and used only as indicated in nVent product instruction sheets and training materials. Instruction sheets are available at [www.nVent.com](http://www.nVent.com) and from your nVent customer service representative.
2. nVent products must never be used for a purpose other than the purpose for which they were designed or in a manner that exceeds specified load ratings.
3. All instructions must be **completely** followed to ensure proper and safe installation and performance.
4. Improper installation, misuse, misapplication or other failure to completely follow nVent's instructions and warnings may cause product malfunction, property damage, serious bodily injury and/or death, and void your warranty.
5. Products that are manufactured using spring steel components shall be used only in a non-corrosive indoor environment.
6. All pipe supports, hangers, intermediate components and structural attachments must **ONLY** be used as described herein and are **NEVER** to be used for any other purpose.

NOTE: All load ratings are for static conditions and do not account for dynamic loading such as wind, water or seismic loads, unless otherwise noted.

The customer is responsible for:

- a. Conformance to all governing codes.
- b. The integrity of structures to which the products are attached, including their capability of safely accepting the loads imposed, as evaluated by a qualified engineer.
- c. Using appropriate industry standard hardware as noted above.

### SAFETY INSTRUCTIONS:

All governing codes and regulations and those required by the job site must be observed. Always use appropriate safety equipment such as eye protection, hard hat, and gloves as appropriate to the application.

nVent, nVent CADDY, nVent ERICO Cadweld, nVent ERICO Critec, nVent ERICO, nVent ERIFLEX, and nVent LENTON are owned by nVent or its global affiliates. All other trademarks are the property of their respective owners. nVent reserves the right to change specifications without prior notice.

TECHNICAL SUPPORT:  
[www.nVent.com](http://www.nVent.com)

CFS487\_C

1 OF 2

© 2014-2019 nVent All Rights Reserved



