
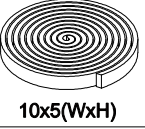
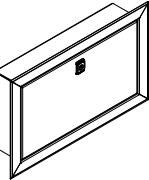
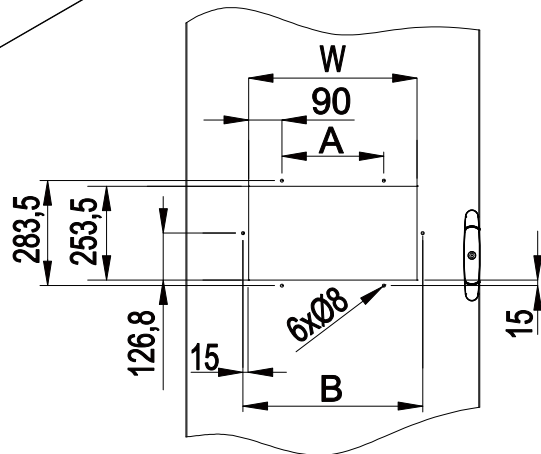
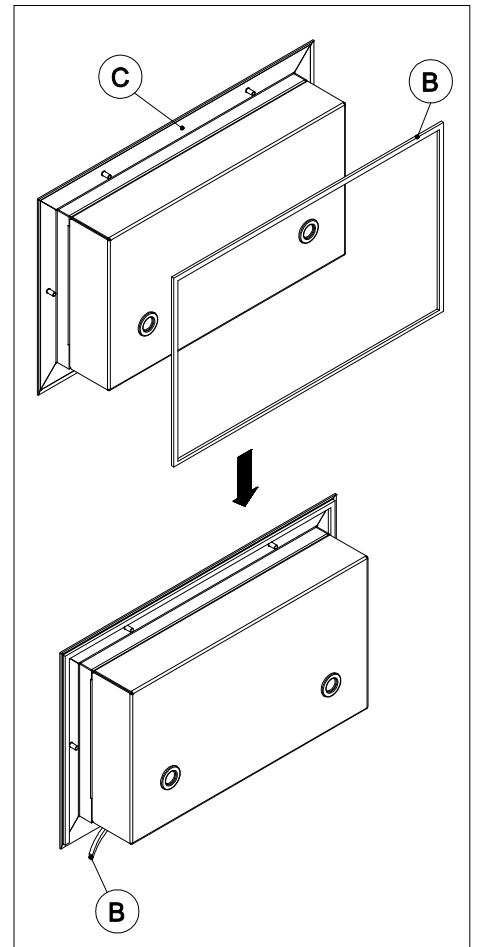
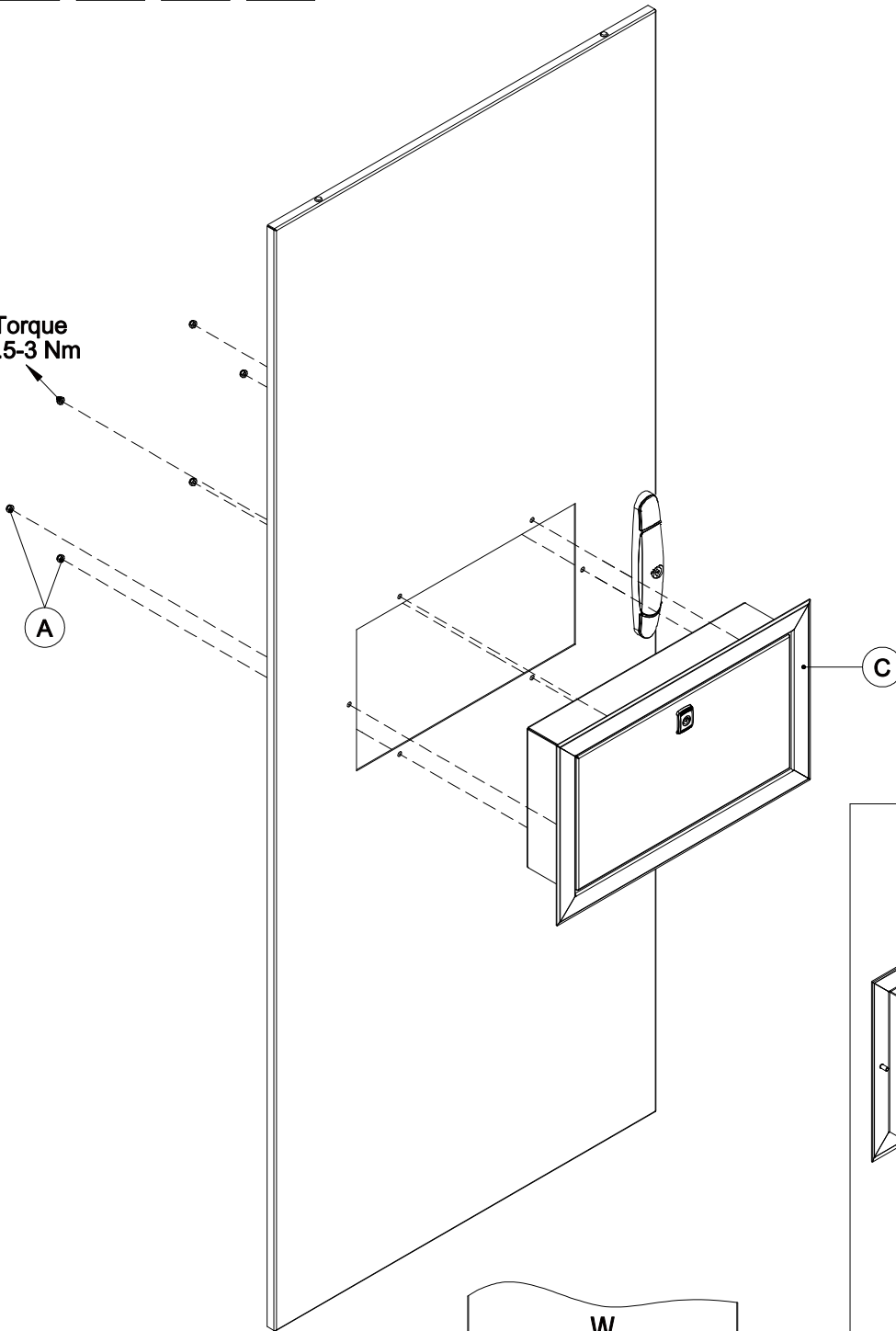


# UKT

Ref.	Pic.	Qty.
A	 M6	6
B	 10x5(WxH)	1
C		1

Torque  
2.5-3 Nm



Item No.	W	A	B
UKT06	355	175	385
UKT08	555	375	585