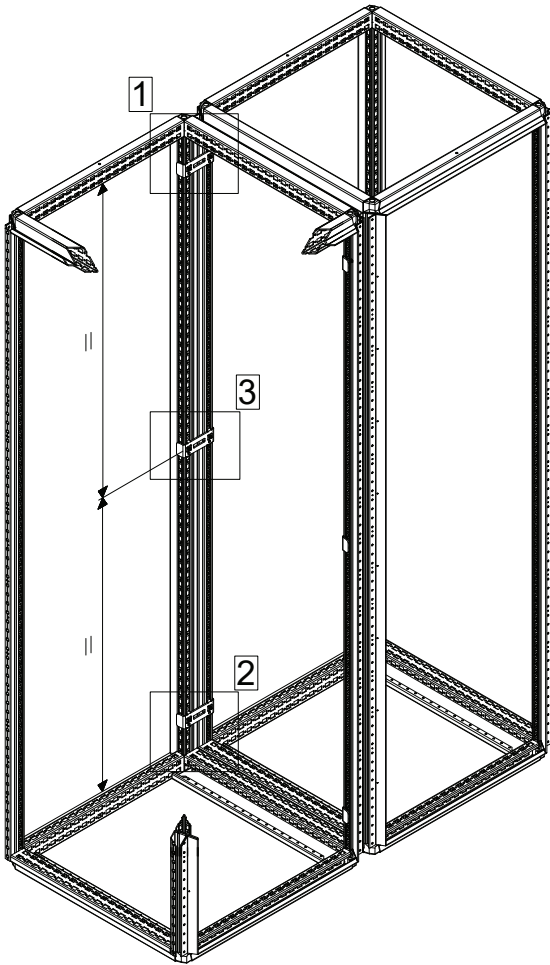
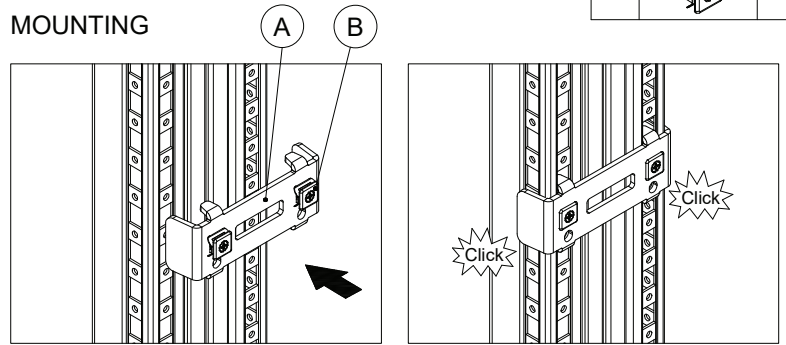


# CCI06

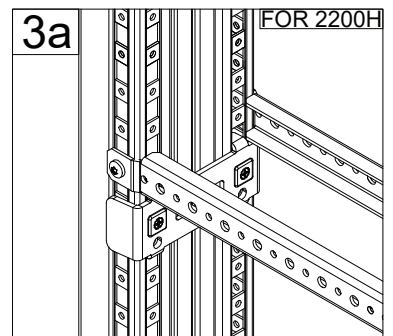
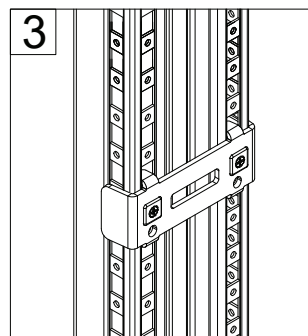
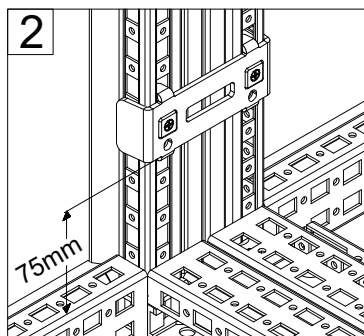
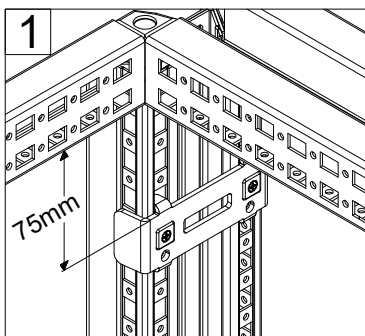
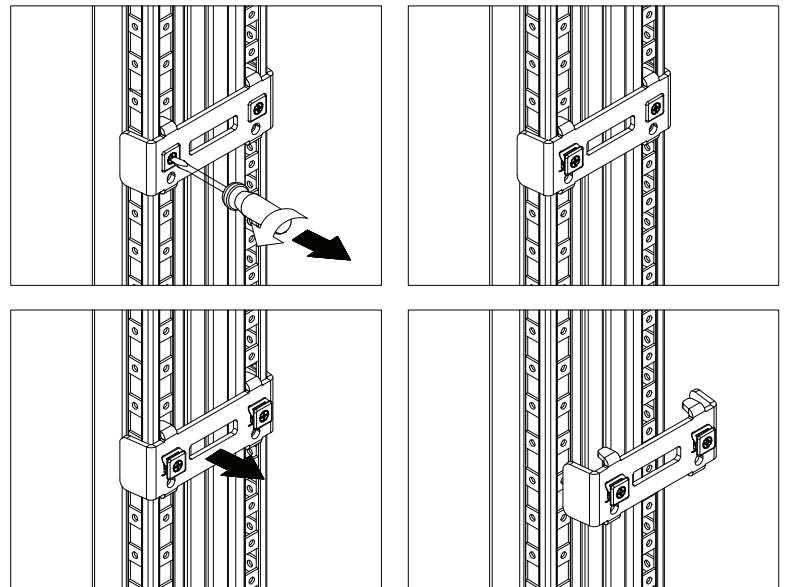
Ref.	Pic.	
A		6
B		12



## MOUNTING



## DEMOUNTING



## ALTERNATIVE FIXATION WITH CNT05(\*to be ordered separately)

