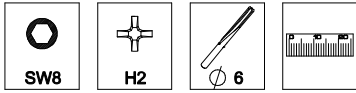
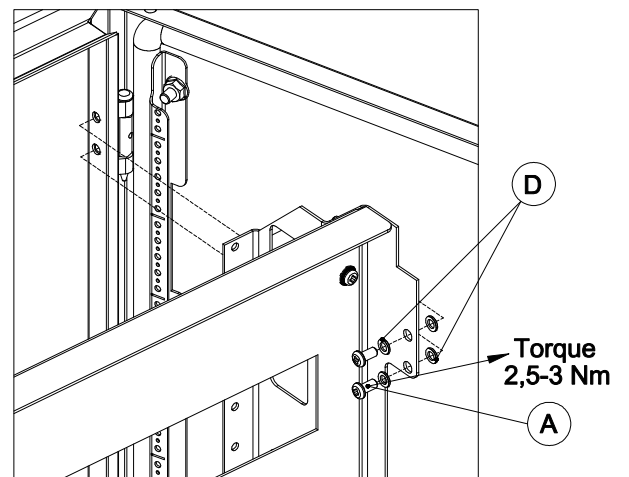
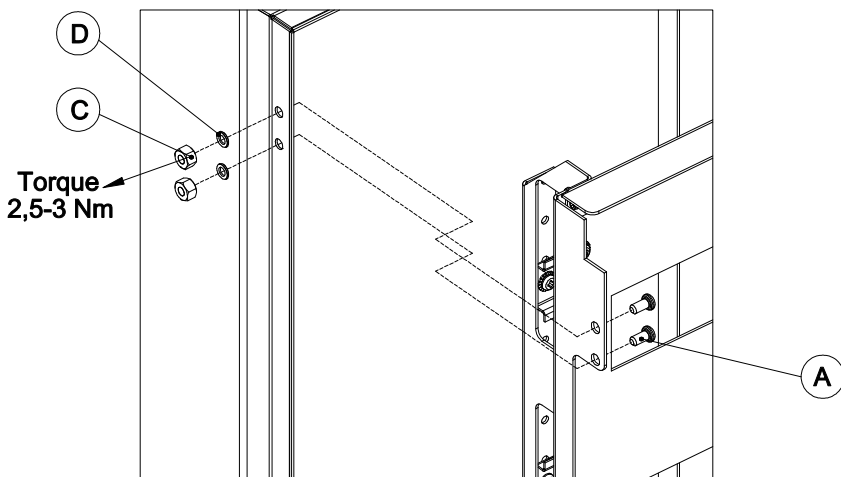
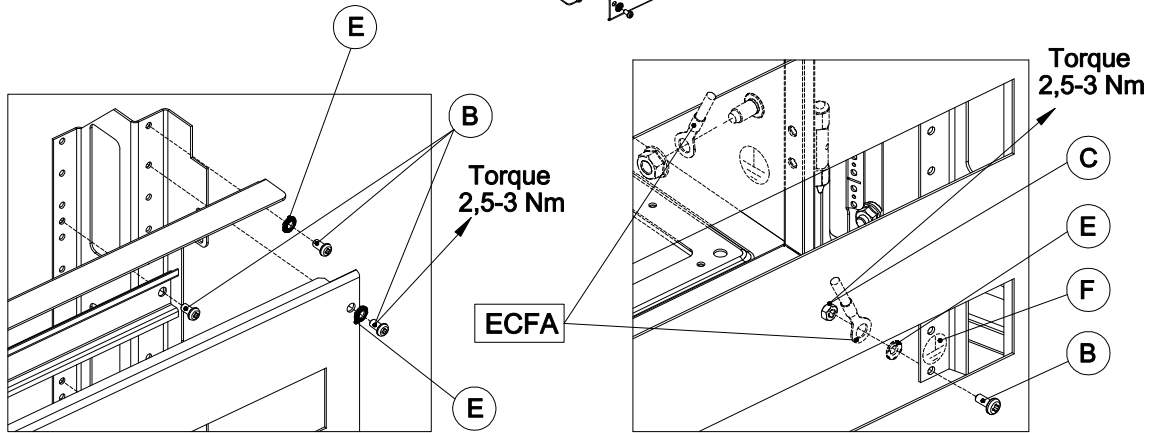
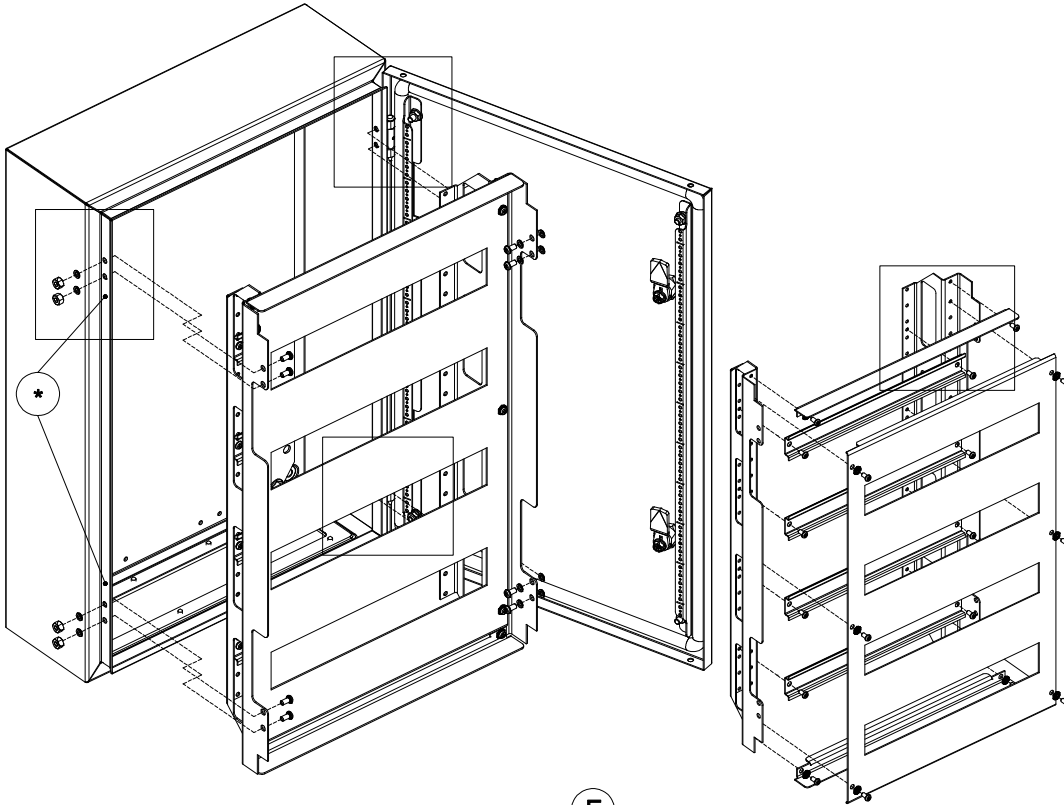


AC



Ref.	Pic.	H (mm)	300	600
			500	1000
A			8	8
B			17	29
C			5	5
D			12	12
E			11	11
F			1	1



* - Machining is required for stainless steel enclosures only.