

# ProLine Frames

## SINGLE-BAY FRAMES

ProLine offers the broadest range of standard sizes in the industry.

### SPECIFICATIONS

- Welded corners with steel corner blocks that add strength and rigidity
- 2,5 mm roll-formed frame sections for strength
- Flange on door and side openings deflect liquids away from the enclosure interior
- Rectangular frame holes are designed for metric cage nut fasteners
- Round frame holes allow numerous grounding locations using M5 thread-forming screws
- Access to both sides of frame mounting holes allows standard components to be easily installed
- Provisions for slide-in mounting plate, rack mounting and accessory mounting
- Simple means for joining frames to create multiple-bay enclosures
- An open roll-formed profile design affords complete surface corrosion protection and assembly access
- Sealed mounting for all external accessories
- Finished with RAL 7035 textured, gray polyester powder paint



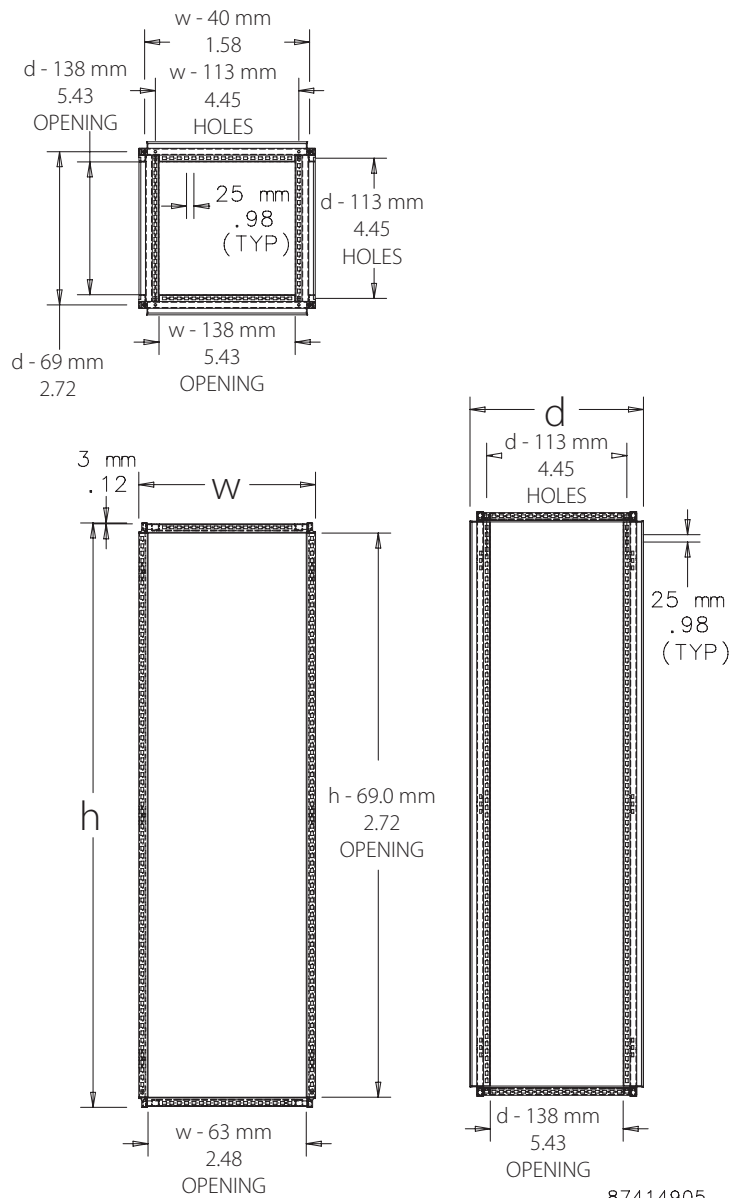
### STANDARD PRODUCT

Item number	Size H x W x D [mm]	Nominal Size H x W x D [mm]	Maximum Mounting Plate Size [mm]	Maximum Rack Mounting Space
PF1465	1380 x 599 x 488	1400 x 600 x 500	1285 x 530	28U
PF1466	1380 x 599 x 588	1400 x 600 x 600	1285 x 530	28U
PF1468	1380 x 599 x 788	1400 x 600 x 800	1285 x 530	28U
PF1485	1380 x 799 x 488	1400 x 800 x 500	1285 x 530	28U
PF1665	1580 x 599 x 488	1600 x 600 x 500	1485 x 530	33U
PF1666	1580 x 599 x 588	1600 x 600 x 600	1485 x 530	33U
PF1668	1580 x 599 x 788	1600 x 600 x 800	1485 x 530	33U
PF1685	1580 x 799 x 488	1600 x 800 x 500	1485 x 730	33U
PF1686	1580 x 799 x 588	1600 x 800 x 600	1485 x 730	33U
PF1845	1780 x 399 x 488	1800 x 400 x 500	1685 x 330	38U
PF1846	1780 x 399 x 588	1800 x 400 x 600	1685 x 330	38U
PF1864	1780 x 599 x 388	1800 x 600 x 400	1685 x 530	38U
PF1865	1780 x 599 x 488	1800 x 600 x 500	1685 x 530	38U
PF1866	1780 x 599 x 588	1800 x 600 x 600	1685 x 530	38U
PF1868	1780 x 599 x 788	1800 x 600 x 800	1685 x 530	38U
PF1884	1780 x 799 x 388	1800 x 800 x 400	1685 x 730	38U
PF1885	1780 x 799 x 488	1800 x 800 x 500	1685 x 730	38U
PF1886	1780 x 799 x 588	1800 x 800 x 600	1685 x 730	38U
PF1888	1780 x 799 x 788	1800 x 800 x 800	1685 x 730	38U
PF18104	1780 x 999 x 388	1800 x 1000 x 400	1685 x 930	38U
PF18105	1780 x 999 x 488	1800 x 1000 x 500	1685 x 930	38U
PF18106	1780 x 999 x 588	1800 x 1000 x 600	1685 x 930	38U
PF18108	1780 x 999 x 788	1800 x 1000 x 800	1685 x 930	38U
PF2045	1980 x 399 x 488	2000 x 400 x 500	1885 x 530	42U
PF2046	1980 x 399 x 588	2000 x 400 x 600	1885 x 530	42U
PF2064	1980 x 599 x 388	2000 x 600 x 400	1885 x 530	42U
PF2065	1980 x 599 x 488	2000 x 600 x 500	1885 x 530	42U
PF2066	1980 x 599 x 588	2000 x 600 x 600	1885 x 530	42U
PF2068	1980 x 599 x 788	2000 x 600 x 800	1885 x 530	42U
PF2084	1980 x 799 x 388	2000 x 800 x 400	1885 x 730	42U

# ProLine Frames

## STANDARD PRODUCT

Item number	Size H x W x D [mm]	Nominal Size H x W x D [mm]	Maximum Mounting Plate Size [mm]	Maximum Rack Mounting Space
PF2085	1980 x 799 x 488	2000 x 800 x 500	1885 x 730	42U
PF2086	1980 x 799 x 588	2000 x 800 x 600	1885 x 730	42U
PF2088	1980 x 799 x 788	2000 x 800 x 800	1885 x 730	42U
PF20104	1980 x 999 x 388	2000 x 1000 x 400	1885 x 930	42U
PF20105	1980 x 999 x 488	2000 x 1000 x 500	1885 x 930	42U
PF20106	1980 x 999 x 588	2000 x 1000 x 600	1885 x 930	42U
PF20108	1980 x 999 x 788	2000 x 1000 x 800	1885 x 930	42U
PF2266	2180 x 599 x 588	2200 x 600 x 600	2085 x 530	47U
PF2268	2180 x 599 x 788	2200 x 600 x 800	2085 x 530	47U
PF2286	2180 x 799 x 588	2200 x 800 x 600	2085 x 730	47U
PF2288	2180 x 799 x 788	2200 x 800 x 800	2085 x 730	47U



Our powerful portfolio of brands:

**CADDY ERICO HOFFMAN RAYCHEM SCHROFF TRACER**