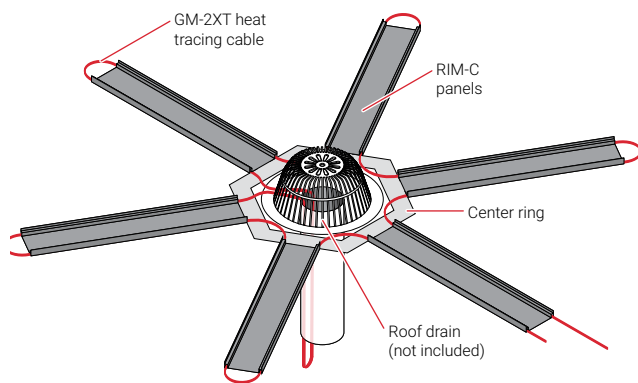


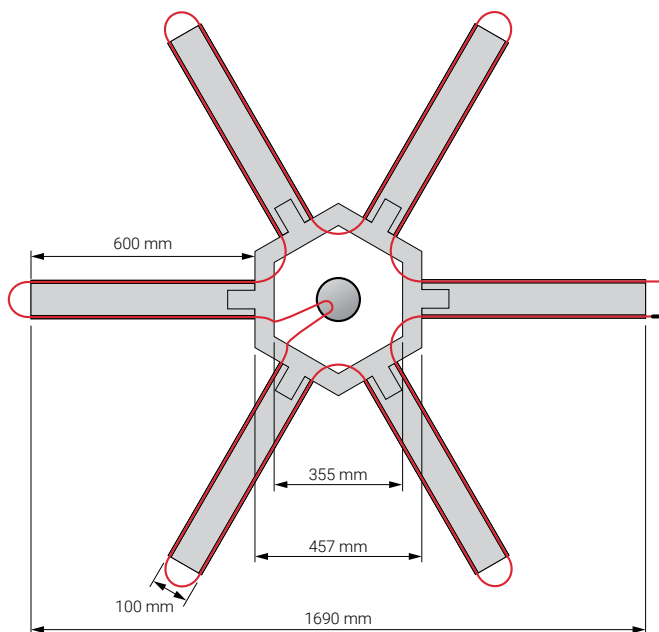
## RIM-DrainTrace-KIT

### GENERAL INFORMATION

#### RIM DrainTrace (RIM-DT-KIT)



#### Dimensions (nominal)



nVent RAYCHEM RIM-DRAINTRACE-KIT (RIM-DT-KIT) system is a turnkey roof ice melt unit for roof drains. It consists of a central aluminum ring which could go around up to 355 mm diameter roof drain. The ring consists of six tabs that can be inserted into the RIM-C channel panels, each 600 mm long. 16 m of a pre-terminated nVent RAYCHEM GM-2XT heating cable is provided for routing to and from the channel panels and the drain. A cold lead of 8 m is pre-terminated to the heating cable including an end seal.

#### Reliable System:

RM-DT-KIT efficiently transfers the heat to the snow and keeps the area around the roof drains snow free. The RIM-C channel panels mechanically protect the heat tracing cable and create melt channels for the snow melt to flow into the drain.

#### Lower Total Installed Cost:

RIM-DT parts snap into each another eliminating the need for any field riveting, roof penetrations, or complex cable layouts—thus, reducing the field installation time. The pre-terminated of heating cable makes the installation quick and simple.



## SPECIFICATION

---

System	Fully snap-fit system with no need for rivets/ screws/ nails/ adhesive in the field and with minimal number of assembly steps required in the field
Material Selection	Kynar® painted aluminum
Color Selection	Matte Black
Contents	Aluminum center ring with tabs, RIM-C channel panels, GM-2XT heat tracing cable, 16 m, pre-terminated cold lead 8 m length, 3 x 1,5 mm <sup>2</sup>
Heat Trace Cable Supplied	GM-2XT for 230 VAC applications
Dimensions	Inner size of center ring: 355 mm Channel panel length: 600 mm
PCN	1244-022477

---

### Europe, Middle East, Africa

Tel +32.16.213.502  
Fax +32.16.213.604  
[thermal.info@nVent.com](mailto:thermal.info@nVent.com)



Our powerful portfolio of brands:

**CADDY ERICO HOFFMAN RAYCHEM SCHROFF TRACER**