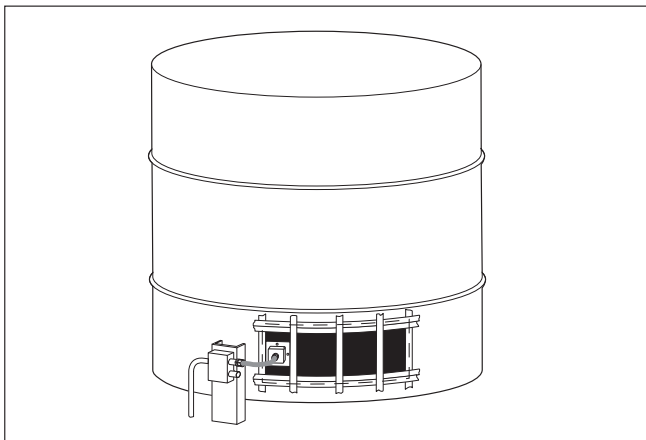




**RAYCHEM**

# RHS Installation Kit

## RAYCHEM Heating System Tank Heater Installation Kit



### DESCRIPTION

The nVent RAYCHEM RHS installation kit is used for attaching RHS tank heaters to a tank wall. The kit contains materials for mounting up to two RHS tank heaters. RHS-H-500 and RHS-L-150 heaters will each require approximately one adhesive tube; RHS-H-1000 and RHS-L-300 heaters will each require approximately one and one half tubes of adhesive; and RHS-H-1400 and RHS-L-420 heaters will each require two tubes of adhesive.

The installation kit must be used in conjunction with the nVent RAYCHEM Heating System Installation Instructions (H55207). For technical support call (800) 545-6258.

**Note:** Do not use the RTV adhesive if the date stamp has expired. Contact your nVent representative for a new kit.

nVent requires the use of GE RTV106 for installing RHS heaters.

### APPROVALS

#### Ordinary and Hazardous Locations



Class I, Div. 2, Groups B, C, D  
Class II, Div. 1 & 2, Groups E, F, G  
Class III

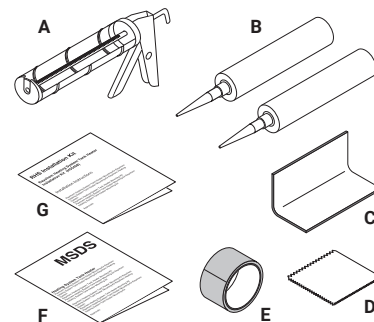
All hazardous location applications must be engineered by nVent.

T-ratings:

Low-watt heaters: T4A  
High-watt heaters (Class I): T2C  
High-watt heaters (Class II & III): Contact nVent

### KIT CONTENTS

Item	Qty	Description
A	1	Caulking gun
B	2	RTV adhesive tubes
C	1	Wedge
D	1	Trowel
E	1	AT-180 tape (30 feet)
F	1	MSDS VEN/0004
G	1	Installation instructions



### CAUTION:

Uncured adhesive can irritate eyes. Read warnings on tube. Consult MSDS VEN/0004 for additional information.

**North America**

Tel +1.800.545.6258  
Fax +1.800.527.5703  
thermal.info@nVent.com

**Europe, Middle East, Africa**

Tel +32.16.213.511  
Fax +32 16 21 36 04  
thermal.info@nVent.com

**Asia Pacific**

Tel +86.21.2412.1688  
Fax +86.21.5426.3167  
cn.thermal.info@nVent.com

**Latin America**

Tel +1.713.868.4800  
Fax +1.713.868.2333  
thermal.info@nVent.com



[nVent.com/RAYCHEM](http://nVent.com/RAYCHEM)