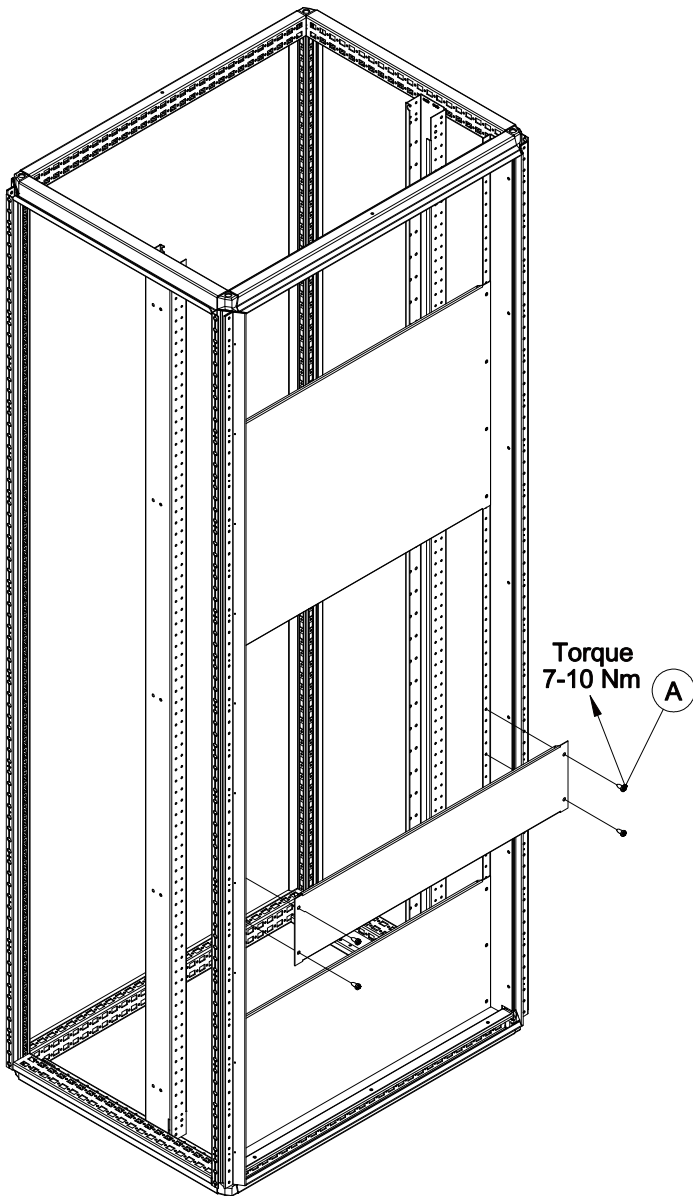


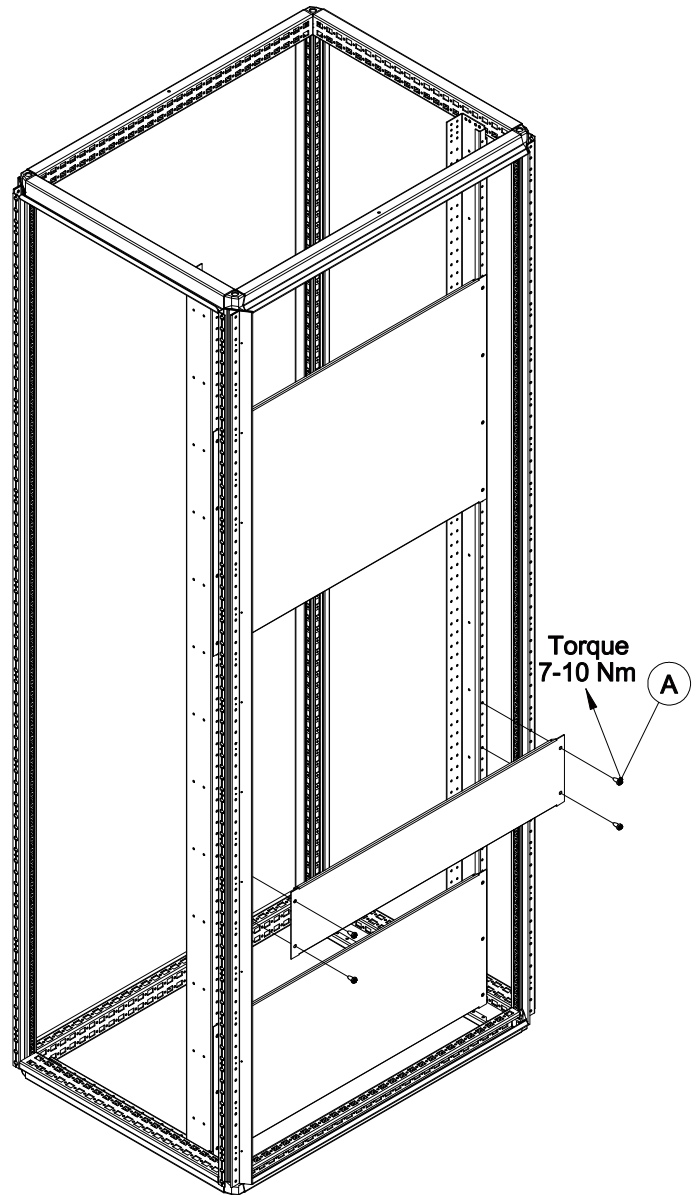


MSMBP

Ref.	Pic.	Qty.
	M5x10	
	MSMBP050x	2
	MSMBP100x	4
	MSMBP150x	4
A	MSMBP200x	4
	MSMBP250x	4
	MSMBP300x	6
	MSMBP400x	6
	MSMBP450x	8
	MSMBP500x	8
	MSMBP600x	10



FIX SYSTEM
MCSL + MSFP + MSFCP



MODULAR SYSTEM
MCSL + MSFMP