

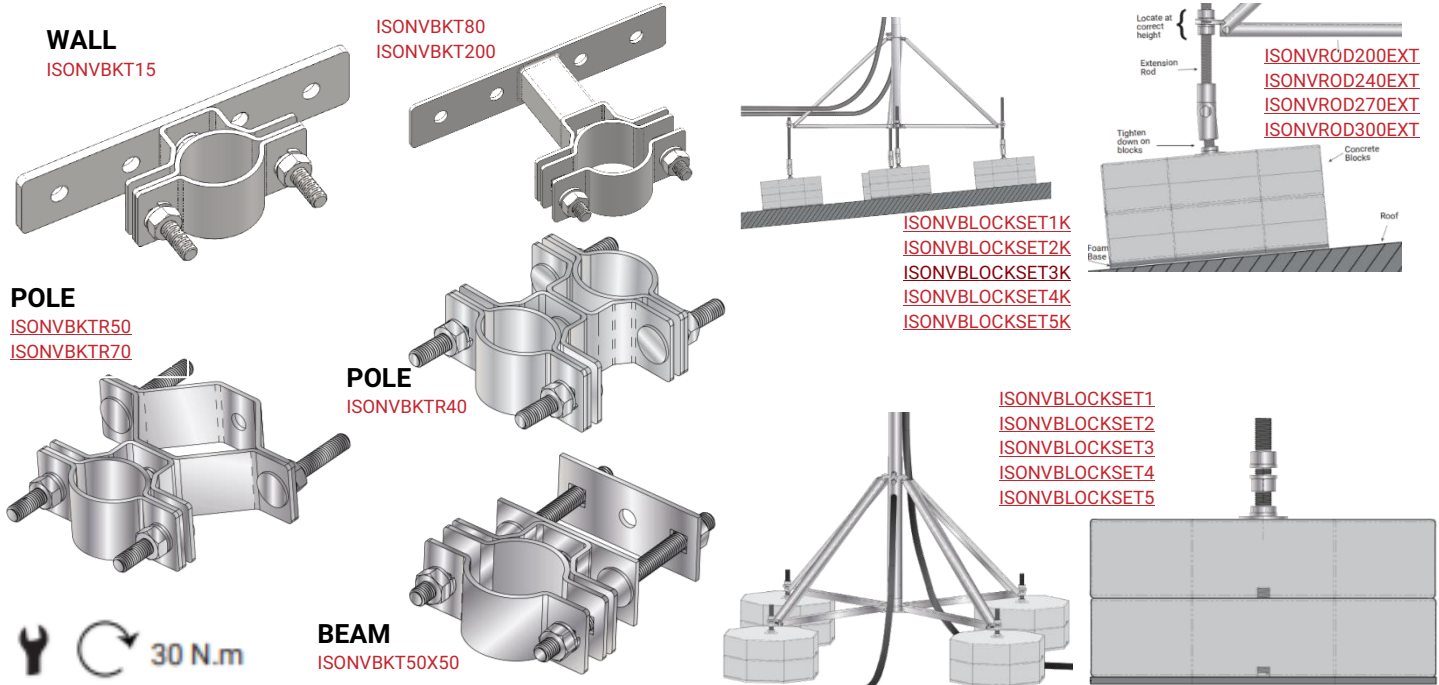


Quick Instructions of nVent ERICO Isolated Downconductors ISONV range:

In the following links, you will find our product sheet and an installation guide.

LPS Isolated Downconductors ISONV SPF cable aislés ISONV SPR cable aislado ISONV	Instruction Manual Guide d'installation Guía de instalación
	
ISONV Lightning Protection Systems (H85107-UKEN) https://www.erico.com/catalog/literature/H85107-UKEN.pdf https://www.erico.com/literature.asp?keywords=H85107	ISONV Installation Instructions (H84997-UKEN) https://www.erico.com/catalog/literature/H84997-UKEN.pdf https://www.erico.com/literature.asp?keywords=H84997



WARNING:

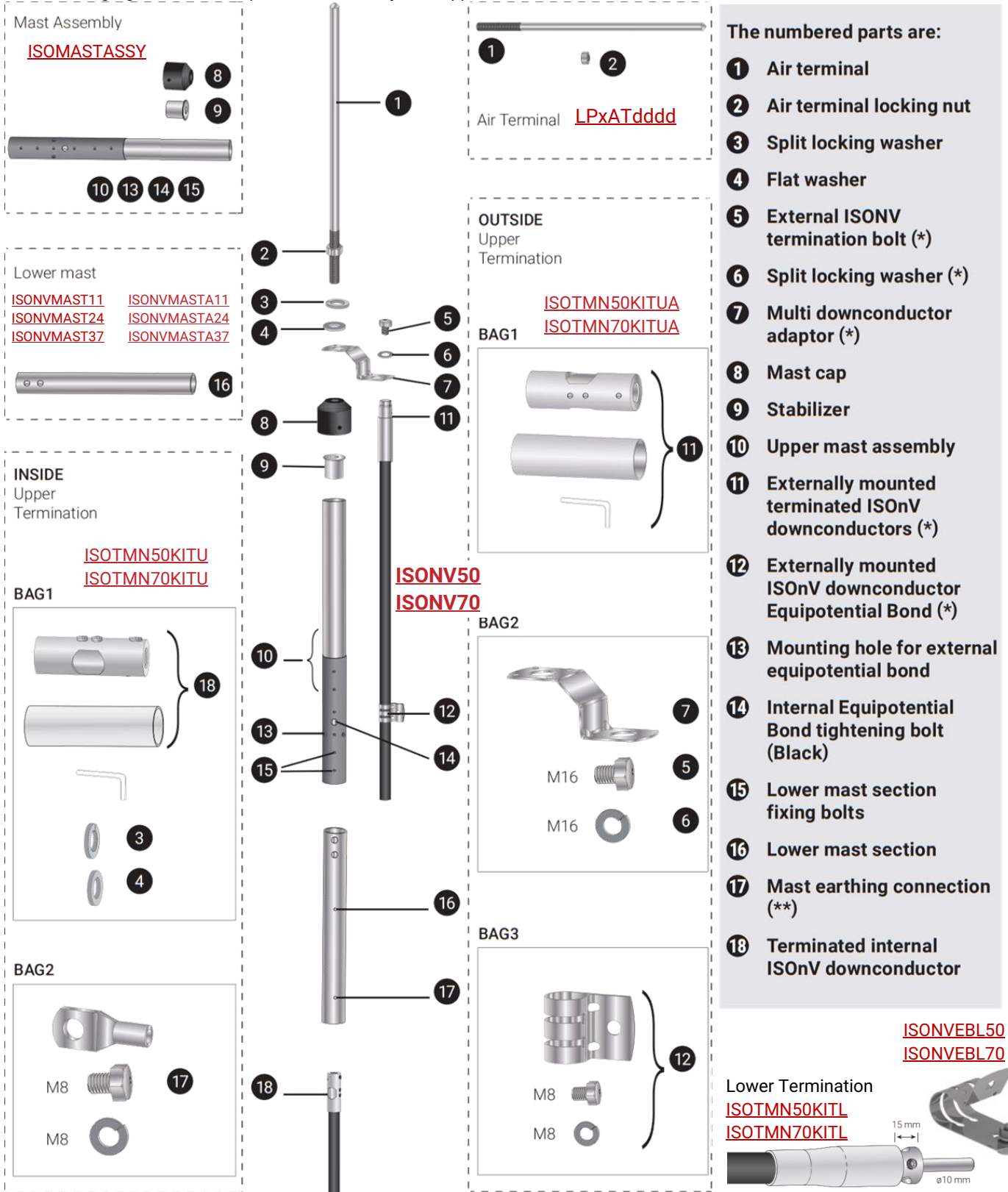
- nVent products shall be installed and used only as indicated in nVent product instruction sheets and training materials. Instruction sheets are available at www.nVent.com and from your nVent customer service representative.
- nVent products must never be used for a purpose other than the purpose for which they were designed or in a manner that exceeds specified load ratings.
- All instructions must be completely followed to ensure proper and safe installation and performance.
- Improper installation, misuse, misapplication or other failure to completely follow nVent's instructions and warnings may cause product malfunction, property damage, serious bodily injury and/or death, and void your warranty.

SAFETY INSTRUCTIONS: All governing codes and regulations and those required by the job site must be observed. Always use appropriate safety equipment such as eye protection, hard hat, and gloves as appropriate to the application.

nVent, nVent CADDY, nVent ERICO Cadweld, nVent ERICO Critec, nVent ERICO, nVent ERIFLEX, and nVent LENTON are owned by nVent or its global affiliates. All other trademarks are the property of their respective owners. nVent reserves the right to change specifications without prior notice.

INSTRUCTION SHEET

For a mast assembly, one terminated downconductor is mounted inside the supporting mast, and additional terminated downconductors may be mounted outside the supporting mast, depending on the system design. The following figure shows the parts and how they are supplied.



(*) These parts used if an externally mounted downconductor is used.

(**) Required to be connected if lower mast section is not earthed through the mounting arrangement used.