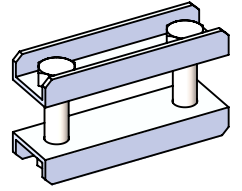


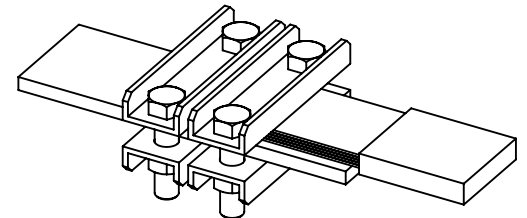
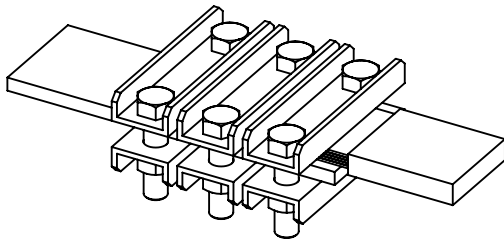
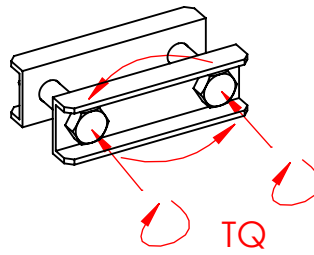
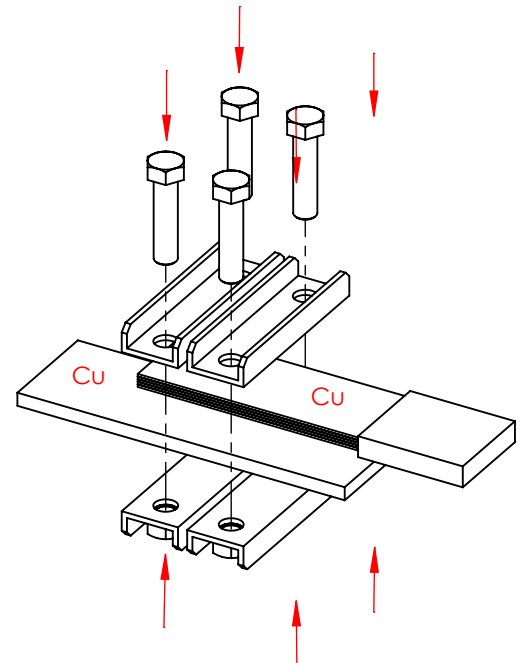
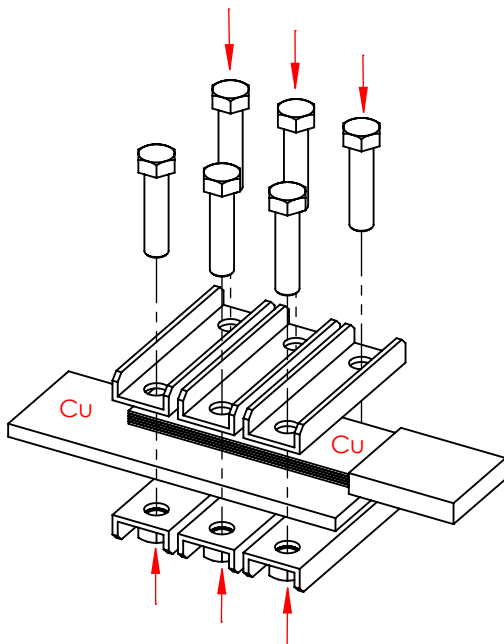
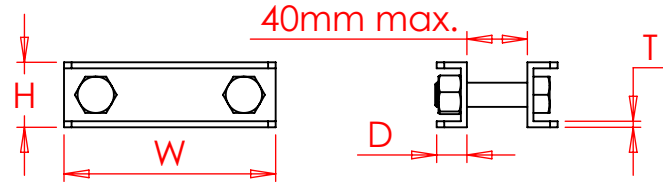
# HCBC High Current Busbar Clamp



Description	Part number	Conductor width	Depth D	Height H	Width W	Thickness T	Torque TQ	Weight	Recommended Assembling with nVent ERIFLEX Flexibar, braids or Cu bar
HCBC80	553100	80 mm	20 mm	40 mm	140 mm	3 mm	100 N.m	0,84 kg	2 HCBC per assembly
HCBC100	553110	100 mm	20 mm	40 mm	160 mm	3 mm	100 N.m	0,92 kg	3 HCBC per assembly
HCBC120	553120	120 mm	20 mm	40 mm	180 mm	3 mm	100 N.m	1,00 kg	3 HCBC per assembly

Specific clamps to connect electrically rigid copper bars together, or copper bars and nVent ERIFLEX Flexibars or copper bars and a Power shunts.

If it's not possible to follow the recommended assembling for HCBC 100 and HCBC 120, only 2 HCBC can be used if the thickness of the smallest conductor is smaller than 16mm for the copper bar or nVent ERIFLEX Flexibar and is smaller than 20mm for power braided shunt.



**WARNING:**

1. nVent products shall be installed and used only as indicated in nVent product instruction sheets and training materials. Instruction sheets are available at [www.nVent.com](http://www.nVent.com) and from your nVent customer service representative.
2. nVent products must never be used for a purpose other than the purpose for which they were designed or in a manner that exceeds specified load ratings.
3. All instructions must be **completely** followed to ensure proper and safe installation and performance.
4. Improper installation, misuse, misapplication or other failure to completely follow nVent's instructions and warnings may cause product malfunction, property damage, serious bodily injury and/or death, and void your warranty.

**SAFETY INSTRUCTIONS:**

All governing codes and regulations and those required by the job site must be observed. Always use appropriate safety equipment such as eye protection, hard hat, and gloves as appropriate to the application.

nVent, nVent CADDY, nVent ERICO Cadweld, nVent ERICO Critec, nVent ERICO, nVent ERIFLEX, and nVent LENTON are owned by nVent or its global affiliates. All other trademarks are the property of their respective owners. nVent reserves the right to change specifications without prior notice.