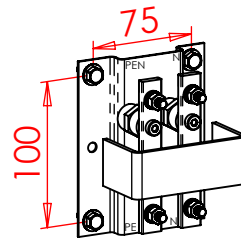


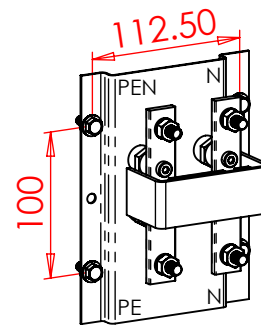
# Disconnectable PEN System (568800, 568805, 568810)



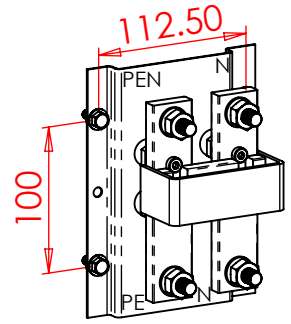
Description	Code	In Max	Torque	Icw (1s)	Ipk
PEN-D75	568800	125A	13 N.m	13,2 kA	26,4 kA
PEN-D100	568805	250A	30 N.m	17,6 kA	35,2 kA
PEN-D300	568810	630A	60 N.m	52,8 kA	116,1 kA



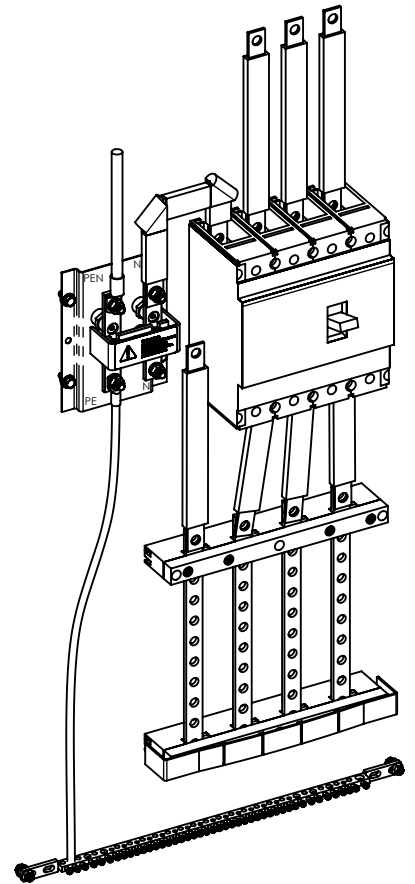
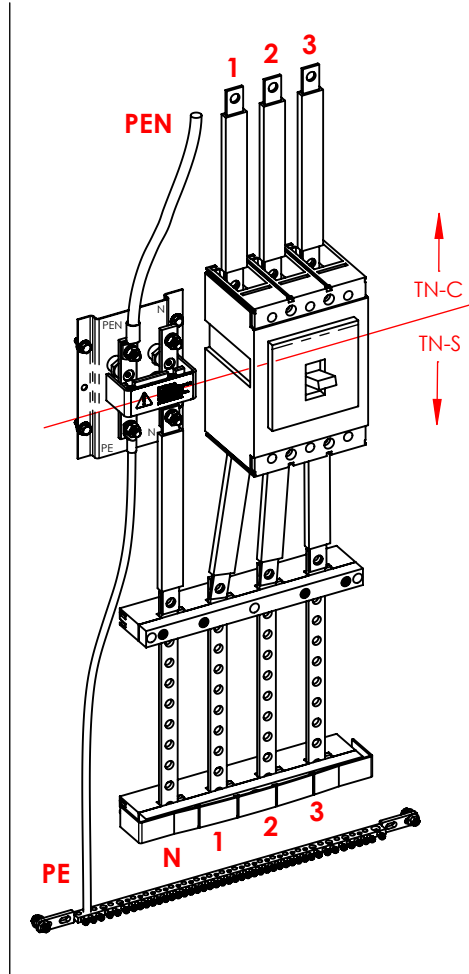
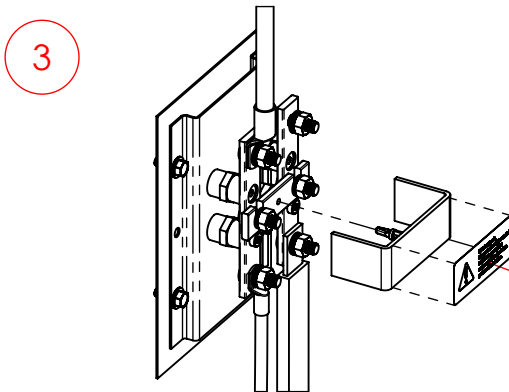
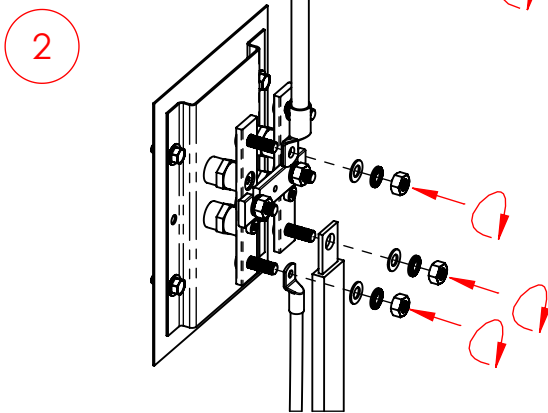
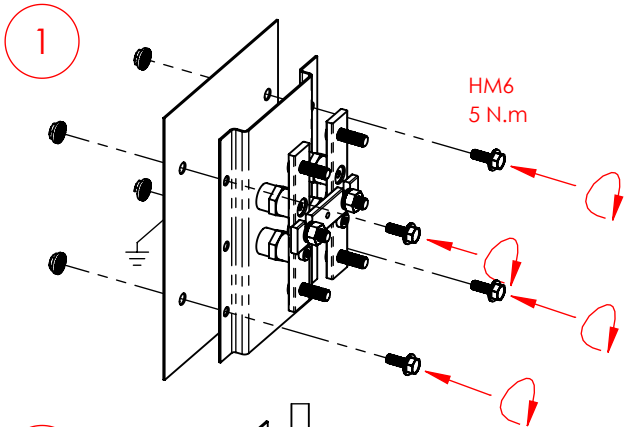
PEN-D75<sup>2</sup>



PEN-D100<sup>2</sup>



PEN-D300<sup>2</sup>



**TN-C-S network.**  
Disconnection of the neutral  
forbidden, except for  
measures of the insulation.  
power off installation.

**Régime TN-C-S.**  
Déconnexion du neutre  
interdite sauf lors des  
mesures d'isolement.  
Installation hors tension.

**WARNING:**

1. nVent products shall be installed and used only as indicated in nVent product instruction sheets and training materials. Instruction sheets are available at [www.nVent.com](http://www.nVent.com) and from your nVent customer service representative.
2. nVent products must never be used for a purpose other than the purpose for which they were designed or in a manner that exceeds specified load ratings.
3. All instructions must be completely followed to ensure proper and safe installation and performance.
4. Improper installation, misuse, misapplication or other failure to completely follow nVent's instructions and warnings may cause product malfunction, property damage, serious bodily injury and/or death, and void your warranty.

**SAFETY INSTRUCTIONS:**

All governing codes and regulations and those required by the job site must be observed. Always use appropriate safety equipment such as eye protection, hard hat, and gloves as appropriate to the application.

nVent, nVent CADDY, nVent ERICO Cadweld, nVent ERICO Critec, nVent ERICO, nVent ERIFLEX, and nVent LENTON are owned by nVent or its global affiliates. All other trademarks are the property of their respective owners. nVent reserves the right to change specifications without prior notice.