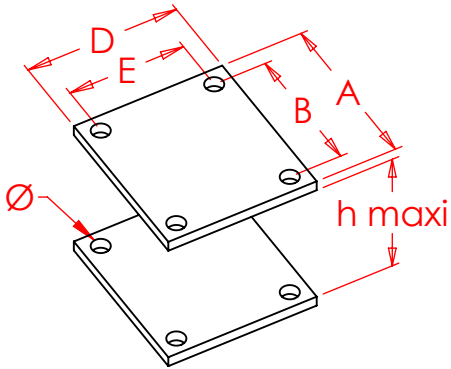
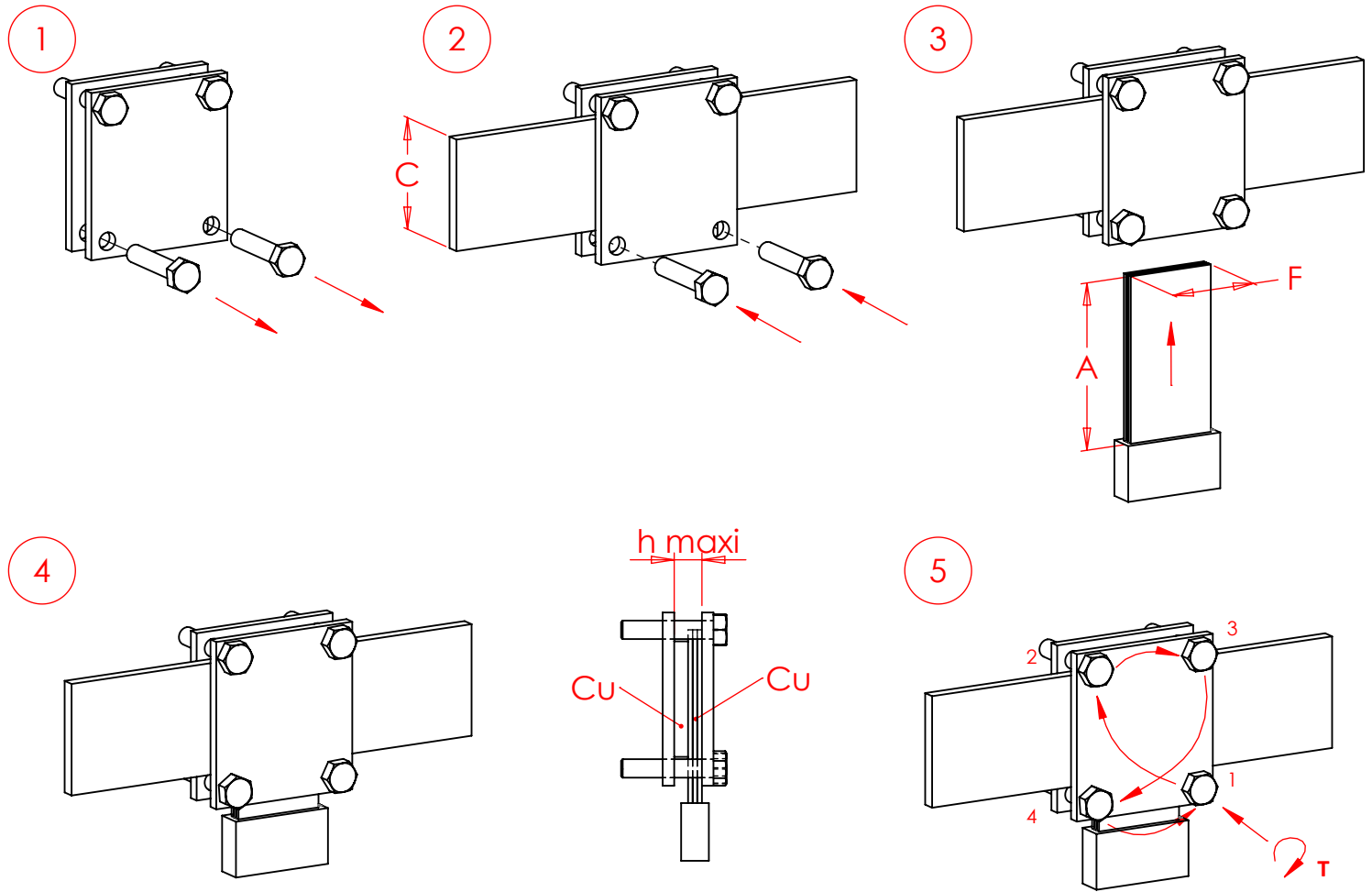


# FC nVent ERIFLEX Flexibar to Busbar Clamp

h maxi : 20mm



Code	Part number	A (mm)	B (mm)	C (mm)	D (mm)	E (mm)	F(mm)	∅	Torque T (N.m)
FC50X24	553020	75 mm	60 mm	50 mm	52 mm	36 mm	24 mm	M8	10 N-m
FC50X32	553030	75 mm	60 mm	50 mm	60 mm	44 mm	32 mm	M8	10 N-m
FC50X40	553040	75 mm	60 mm	50 mm	68 mm	52 mm	40 mm	M8	10 N-m
FC80X24	553050	105 mm	90 mm	80 mm	52 mm	36 mm	24 mm	M8	10 N-m
FC80X32	553060	105 mm	90 mm <td 80 mm	60 mm	44 mm	32 mm	M8	10 N-m	
FC80X50	553070	105 mm	90 mm	80 mm	78 mm	62 mm	50 mm	M8	10 N-m
FC100X32	568700	125 mm	110 mm	100 mm	60 mm	44 mm	32 mm	M8	10 N-m
FC120X32	568730	145 mm	130 mm	120 mm	60 mm	44 mm	32 mm	M8	10 N-m



**WARNING:**

- nVent products shall be installed and used only as indicated in nVent product instruction sheets and training materials. Instruction sheets are available at [www.nVent.com](http://www.nVent.com) and from your nVent customer service representative.
- nVent products must never be used for a purpose other than the purpose for which they were designed or in a manner that exceeds specified load ratings.
- All instructions must be completely followed to ensure proper and safe installation and performance.
- Improper installation, misuse, misapplication or other failure to completely follow nVent's instructions and warnings may cause product malfunction, property damage, serious bodily injury and/or death, and void your warranty.

**SAFETY INSTRUCTIONS:**

All governing codes and regulations and those required by the job site must be observed. Always use appropriate safety equipment such as eye protection, hard hat, and gloves as appropriate to the application.

nVent, CADDY, ERICO CADWELD, ERICO CRITEC, ERICO, ERIFLEX, and LENTON are owned by nVent or its global affiliates. All other trademarks are the property of their respective owners. nVent reserves the right to change specifications without prior notice.