

BV-Bracket

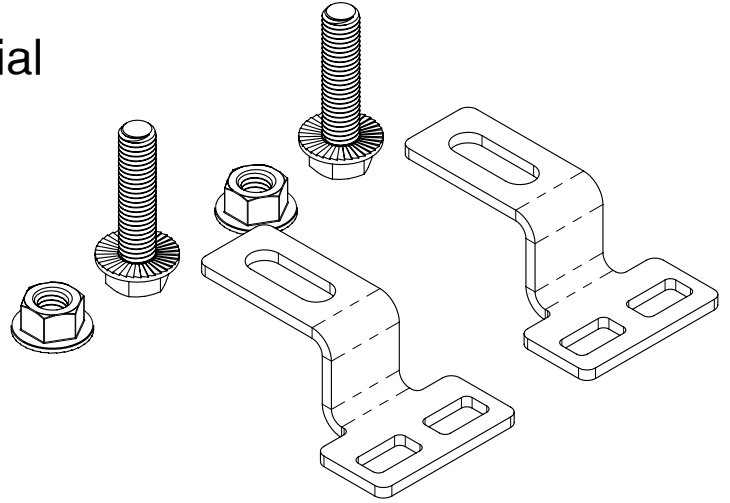
Mounting Bracket Kit for CABS Imperial

2X BV-Bracket
 2X M10 Hex Bolts
 2X M10 Hex Nuts

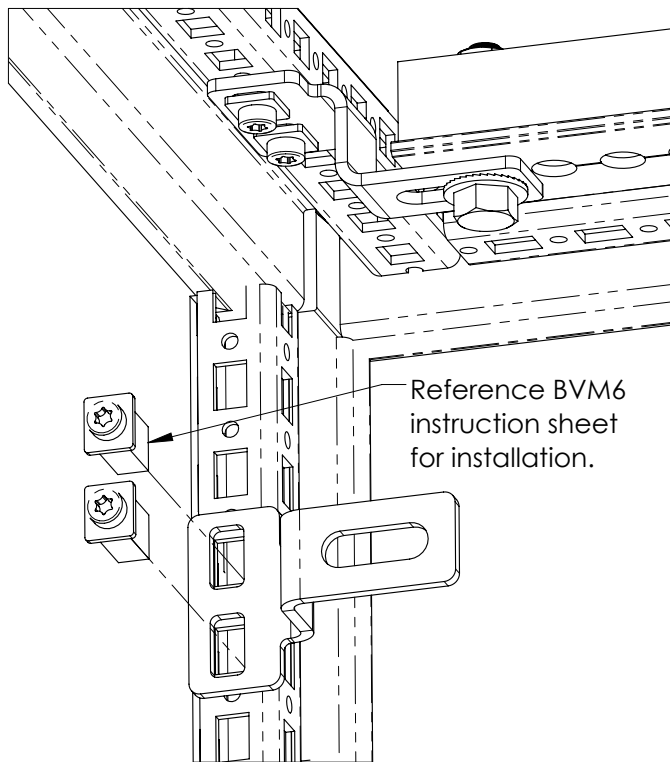
nVent HOFFMAN BVM6 is NOT included.

ONLY USE APPROVED HARDWARE

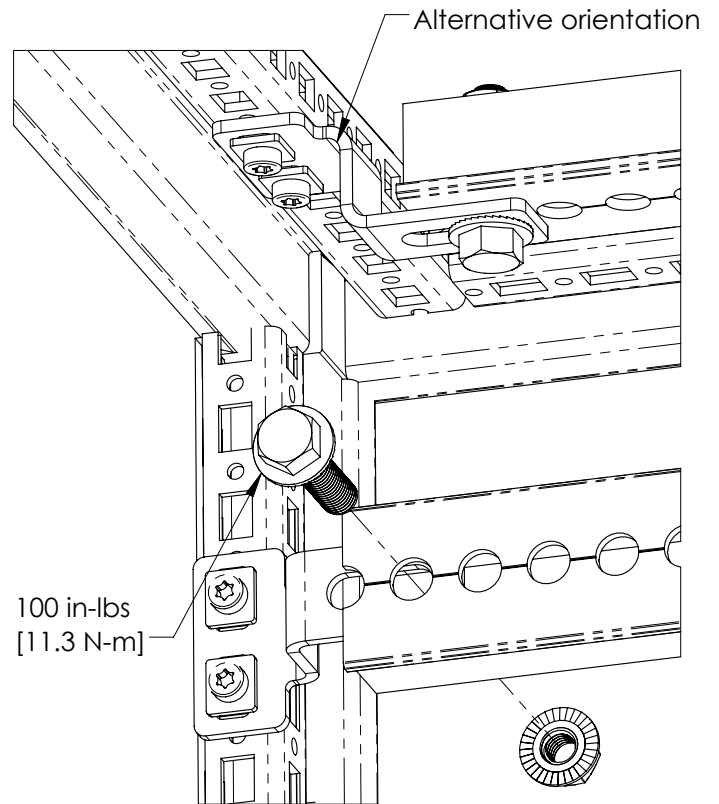
Verify load bearing capacity, spacing of CABS supports, and assembly configuration prior to specifying brackets, cage nuts, or BVM6 fasteners.



1) Attach bracket to enclosure frame in the desired orientation using nVent HOFFMAN BVM6.



2) Fasten support rails to bracket using M10 Hex Bolt and M10 Hex Nut. Reference instruction sheet IP8347 for CABS system installation.



WARNING:

1. nVent products shall be installed and used only as indicated in nVent product instruction sheets and training materials. Instruction sheets are available at www.nVent.com and from your nVent customer service representative.
2. nVent products must never be used for a purpose other than the purpose for which they were designed or in a manner that exceeds specified load ratings.
3. All instructions must be completely followed to ensure proper and safe installation and performance.
4. Improper installation, misuse, misapplication or other failure to completely follow nVent's instructions and warnings may cause product malfunction, property damage, serious bodily injury and/or death, and void your warranty.

SAFETY INSTRUCTIONS:

All governing codes and regulations and those required by the job site must be observed. Always use appropriate safety equipment such as eye protection, hard hat, and gloves as appropriate to the application.

nVent, nVent CADDY, nVent ERICO Cadweld, nVent ERICO Critec, nVent ERICO, nVent ERIFLEX, and nVent LENTON are owned by nVent or its global affiliates. All other trademarks are the property of their respective owners. nVent reserves the right to change specifications without prior notice.

TECHNICAL SUPPORT
www.nVent.com

IP8371_C

1 OF 1

© 2017-2018 nVent All Rights Reserved