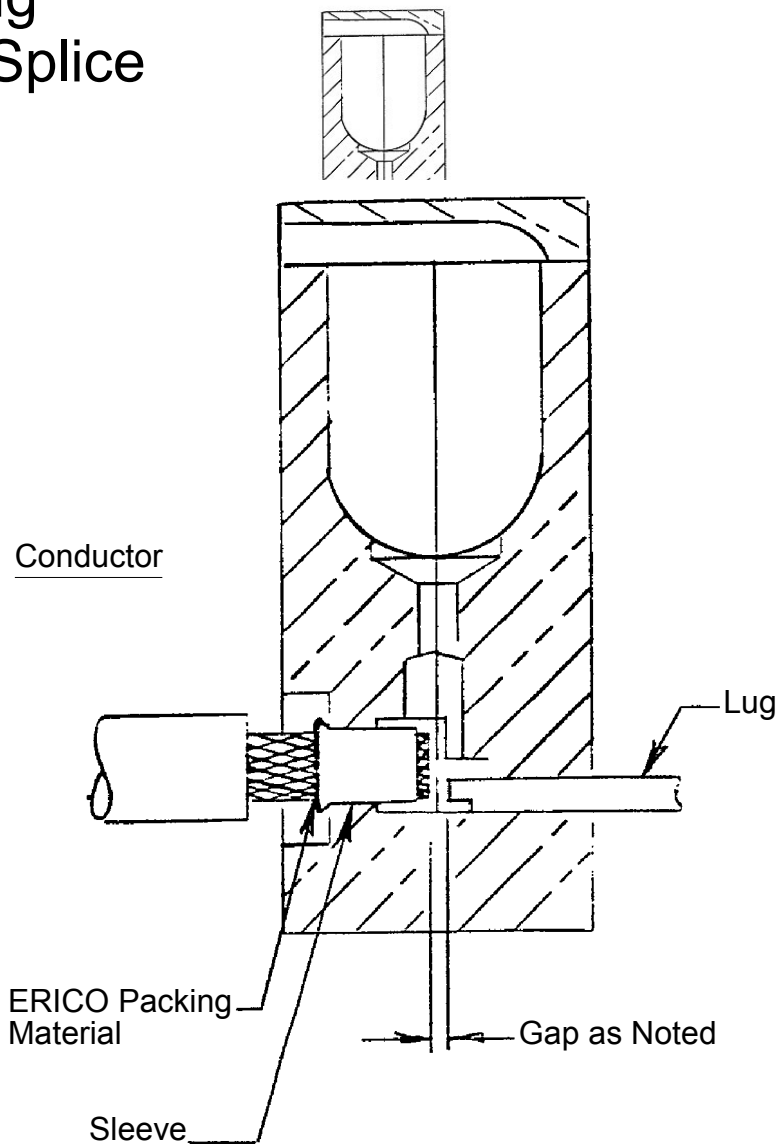


Cable to Lug Horizontal Splice



Prior to making a connection, read and follow the full instruction sheet IPRNS, the full instruction sheet IPP, the full instruction sheet shipped with CADWELD® (IPX) and special instructions below.

1. Insert sleeve on cable. Let cable end protrude 0.13" [3.2 mm] beyond end of sleeve. Position sleeve and cable into mold with flare of sleeve against counter-bore wall. Use ERICO packing material to fill openings in cable.
2. Position mold on cables and lug with lug positioned as shown above (Lug notch facing down). Gap lug and cables directly under tap holes. Gap is noted on mold tag.
3. When using special frames, lock top halves of mold together, then lock top and bottom sections together.

WARNING:

1. ERICO products shall be installed and used only as indicated in ERICO product instruction sheets and training materials. Instruction sheets are available at www.erico.com and from your ERICO customer service representative.
2. ERICO products must never be used for a purpose other than the purpose for which they were designed or in a manner that exceeds specified load ratings.
3. All instructions must be completely followed to ensure proper and safe installation and performance.
4. Improper installation, misuse, misapplication or other failure to completely follow ERICO's instructions and warnings may cause product malfunction, property damage, serious bodily injury and death.

SAFETY INSTRUCTIONS:

All governing codes and regulations and those required by the job site must be observed. Always use appropriate safety equipment such as eye protection, hard hat, and gloves as appropriate to the application.

CADDY, CADWELD, CRITEC, ERICO, ERIFLEX, ERITECH, and LENTON are registered trademarks of ERICO International Corporation.