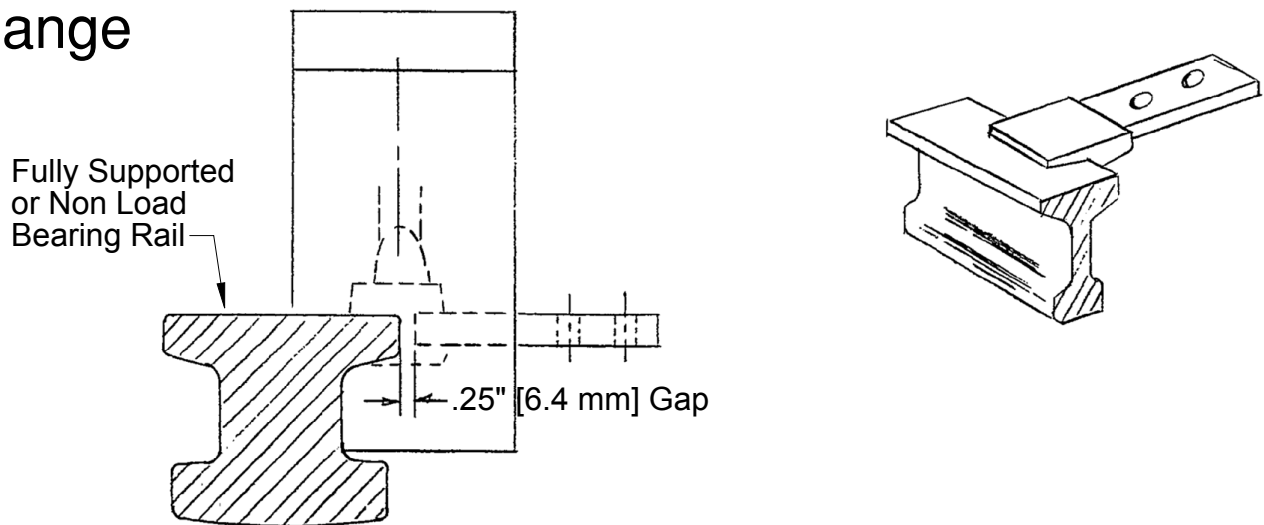


# Cable to Lug Horizontal Tap Perpendicular to Flange



Prior to making a connection, read and follow the full instruction sheet IPRF, the full instruction sheet shipped with CADWELD® (IPX) and special instructions below.

1. Position lug in mold bottom with .25" [6.4 mm] gap between lug end and rail lip. Reference mark lug at edge of mold for later use in checking position.
2. Lock halves of mold top together using toggle handles. Place on mold bottom. Lock top and bottom sections together using toggles.
3. Pack all openings between mold and rail (at sides of mold) with ERICO packing material to prevent leakage of molten weld metal.
4. Check lug position before initiating weld reaction.
5. After the reaction, allow 30 seconds for the weld metal and slag to solidify.
6. Remove all ERICO packing material as soon as possible (may be reused).
7. Unlatch toggle clamps and vise grips holding mold bottom to rail and remove. Unlatch "E-Z" change clamp on upper section mold and remove.

**Note:** Care should be exercised to prevent chipping of the graphite parts.

**WARNING:**

1. ERICO products shall be installed and used only as indicated in ERICO product instruction sheets and training materials. Instruction sheets are available at [www.erico.com](http://www.erico.com) and from your ERICO customer service representative.
2. ERICO products must never be used for a purpose other than the purpose for which they were designed or in a manner that exceeds specified load ratings.
3. All instructions must be completely followed to ensure proper and safe installation and performance.
4. Improper installation, misuse, misapplication or other failure to completely follow ERICO's instructions and warnings may cause product malfunction, property damage, serious bodily injury and death.

**SAFETY INSTRUCTIONS:**

All governing codes and regulations and those required by the job site must be observed. Always use appropriate safety equipment such as eye protection, hard hat, and gloves as appropriate to the application.

CADDY, CADWELD, CRITEC, ERICO, ERIFLEX, ERITECH, and LENTON are registered trademarks of ERICO International Corporation.

TECHNICAL SUPPORT:  
[www.erico.com](http://www.erico.com)

IP6548\_C

1 OF 1

© 1995, 2012, 2014  
ERICO International Corporation

**ERICO**®