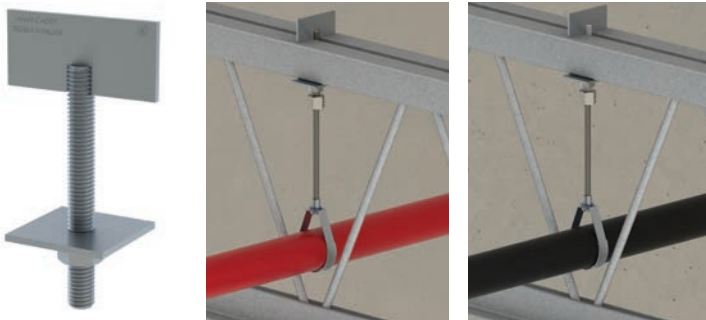
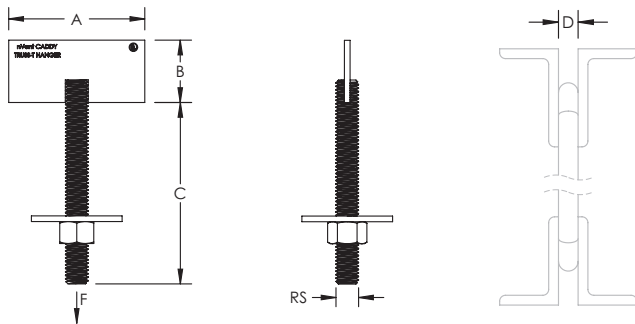


# NVENT CADDY TRUSS-T BAR JOIST HANGER, TOP CHORD



## FEATURES

- Easily installs on the top chord of engineered open web bar joists from underneath, limiting overhead work
- Innovative attachment effortlessly slides through the middle slot of open web bar joists and quickly locks into place when put under load
- Installation of the complete, self-contained system can be accomplished with one hand and requires no additional special tools
- The unique design of the nVent CADDY Truss-T hanger does not need to be tightened like a traditional beam clamp, providing greater adjustability and speed during system alignment
- Prefabricated single pipe hanger and multi-pipe/tube trapeze assemblies can be prefabricated on the ground or in the shop, and easily hung by the installer
- Concentrically loading the bar joist chord eliminates torsion and/or distortion, adhering to the strict rules established by the Steel Joist Institute (SJI)
- The increased load carrying capacity results in the product being UL listed to support a maximum of 8" Schedule 40 pipe
- Made in the USA



Material: Steel  
 Finish: Pregalvanized  
 Static Load Safety Factor: 3.5:1

Part Number	Rod Size RS	A	B	C	D	Static Load F
CTH037TC	3/8"	3"	1 3/8"	4 1/2"	1/2" – 1"	1,200 lb
CTH050TC	1/2"	3"	1 3/8"	4 1/2"	1/2" – 1"	1,200 lb