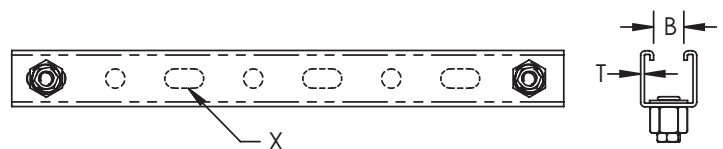
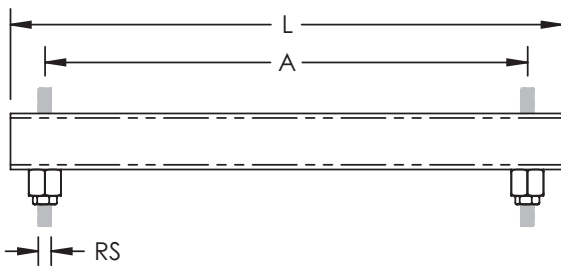
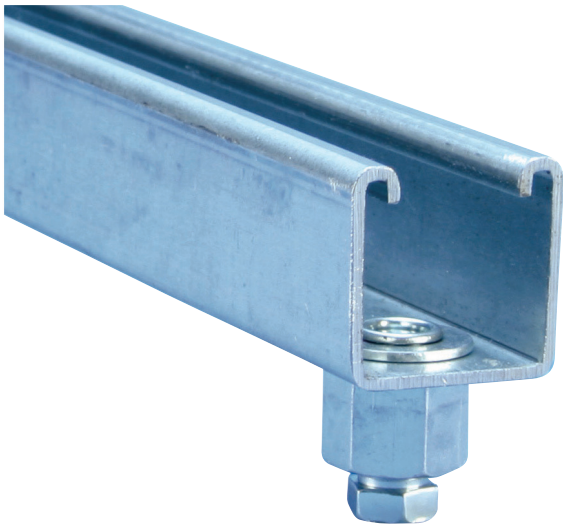


NVENT CADDY ROD LOCK STRUT



FEATURES

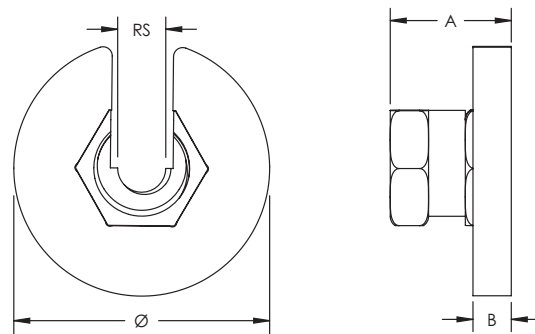
- Allows for the quick creation, installation, and adjustment of multi-level trapeze assemblies
 - Ready to use out of the box and eliminates the need for cutting and preparing sections of strut
 - Easy “push-to-install” design allows installers to simply push the threaded rod through the mounting hole, instantly holding it in position
 - Integrated adjustment nut enables fine tuning the system height up or down
 - Accommodates slight variances in rod-to-rod position of the trapeze
 - No loose parts or special tools needed for installation
 - Lock nut can be finger tightened, locking the rod in place
 - Works with all accessories that fit standard A or C type strut channels
- Werkstoff: Stahl Oberfläche: Vorverzinkung;

Material: Steel
 Finish: Pregalvanized, Electrogalvanized

Part Number	Article Number	Rod Size RS	Strut Type	Length L	Thickness T	A	B	X	Static Load F
CRLP2M8L550	390031	M8	A (41 x 41 mm)	600 mm	2.5 mm	550 mm	22 mm	14 x 27 mm	7484 N
CRLP2M8L750	390032	M8	A (41 x 41 mm)	800 mm	2.5 mm	750 mm	22 mm	14 x 27 mm	5488 N
CRLP2M8L950	390033	M8	A (41 x 41 mm)	1,000 mm	2.5 mm	950 mm	22 mm	14 x 27 mm	4333 N
CRLP2M8L1050	390034	M8	A (41 x 41 mm)	1,100 mm	2.5 mm	1,050 mm	22 mm	14 x 27 mm	3920 N
CRLP1M8L550	390029	M8	C (21 x 41 mm)	600 mm	2.5 mm	550 mm	22 mm	14 x 27 mm	2306 N
CRLP1M8L750	390030	M8	C (21 x 41 mm)	800 mm	2.5 mm	750 mm	22 mm	14 x 27 mm	1307 N
CRLP2M10L550	390037	M10	A (41 x 41 mm)	600 mm	2.5 mm	550 mm	22 mm	14 x 27 mm	7484 N
CRLP2M10L750	390038	M10	A (41 x 41 mm)	800 mm	2.5 mm	750 mm	22 mm	14 x 27 mm	5488 N
CRLP2M10L950	390039	M10	A (41 x 41 mm)	1,000 mm	2.5 mm	950 mm	22 mm	14 x 27 mm	4333 N
CRLP2M10L1050	390040	M10	A (41 x 41 mm)	1,100 mm	2.5 mm	1,050 mm	22 mm	14 x 27 mm	3920 N
CRLP1M10L550	390035	M10	C (21 x 41 mm)	600 mm	2.5 mm	550 mm	22 mm	14 x 27 mm	2306 N
CRLP1M10L750	390036	M10	C (21 x 41 mm)	800 mm	2.5 mm	750 mm	22 mm	14 x 27 mm	1307 N

ROD LOCK Strut must be installed with the open side of the channel facing up.
 The Capacity ratings for strut (F) assumes a uniformly distributed load and includes a hole factor of 0.92 ; it is based on the material yield and maximum allowable deflection, an additional Safety Factor of 2 is recommended. For indoor applications only.

SNWS FLANGED NUT



Part Number	Article Number	Rod Size RS	Diameter Ø	A	B	Wrench Size	Static Load F
SNSWM8	390101	M8	42.4 mm	20 mm	6.5 mm	19 mm	1,557 N
SNSWM10	390102	M10	42.4 mm	20 mm	6.5 mm	20 mm	1,557 N



Our powerful portfolio of brands:

CADDY ERICO HOFFMAN RAYCHEM SCHROFF TRACER

WARNING:

nVent products shall be installed and used only as indicated in nVent product instruction sheets and training materials. Instruction sheets are available at nVent.com/CADDY and from your nVent customer service representative. Improper installation, misuse, misapplication or other failure to completely follow nVent instructions and warnings may cause product malfunction, property damage, serious bodily injury and/or death, and void your warranty.

©2018 nVent. All nVent marks and logos are owned or licensed by nVent Services GmbH or its affiliates. All other trademarks are the property of their respective owners. nVent reserves the right to change specifications without notice.

Caddy-DS-FM1276S-DFM140LT17EUE-EN-1805