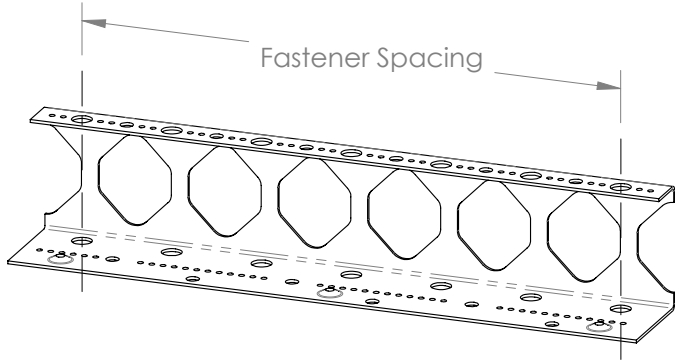
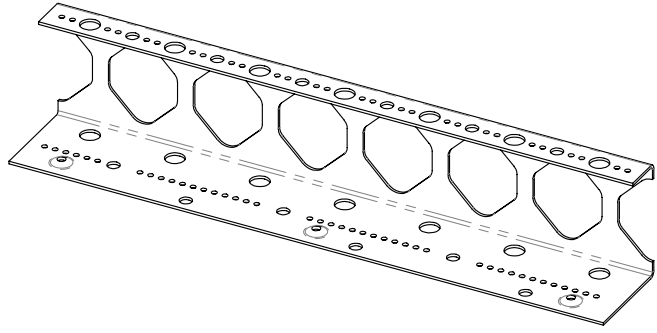


Conduit Trapeze Support



Part Number	Conduit Size	Nominal Length	# of Conduit
CCT1X15	MAX 1" EMT/RIGID	15"	8
CCT1X22		22"	12
CCT1X30		30"	16
CCT1X37		37"	20
CCT1X45		45"	24
CCT1X90		90"	48
CCT125X12	MAX 1-1/4" EMT/1" RIGID	12"	6
CCT125X18		18"	9
CCT125X24		24"	12
CCT125X30		30"	15
CCT125X36		36"	18
CCT125X42		42"	21
CCT125X48	48"	24	
CCT125X96	96"	48	
CCT2X12	MAX 2" EMT / 1-1/2" RIGID	12"	4
CCT2X18		18"	6
CCT2X24		24"	8
CCT2X30		30"	10
CCT2X36		36"	12
CCT2X42		42"	14
CCT2X48	48"	16	
CCT2X96	96"	32	
CCT4X12	MAX 4" EMT /RIGID	12"	2
CCT4X18		18"	3
CCT4X24		24"	4
CCT4X30		30"	5
CCT4X36		36"	6
CCT4X42		42"	7
CCT4X48	48"	8	
CCT4X96	96"	16	

Part Family	Orientation	Mounting Fastener	UL Load Rating (lbs) at Fastener Spacing							
			6" [7.25"]	12" [14.5"]	18" [21.75"]	24" [29"]	30" [36.25"]	36" [43.5"]	42" [50.75"]	48"
CCT1*	Horizontal	3/8" Threaded Rod	500	500	400	300	266	233	200	---
		3/16" Shot-Fire Pin	150	125	---	---	---	---	---	---
CCT125	Horizontal	3/8" Threaded Rod	500	500	400	300	275	250	225	200
		3/16" Shot-Fire Pin	150	125	100	---	---	---	---	---
CCT2	Horizontal	3/8" Fastener	600	600	---	---	---	---	---	---
		1/2" Threaded Rod	500	500	400	300	275	250	225	200
CCT4	Horizontal	1/2" Threaded Rod	600	600	550	500	475	450	425	400
		1/2" Fastener	600	600	---	---	---	---	---	---

*CCT1 fastener spacings are shown in []

WARNING:

- nVent products shall be installed and used only as indicated in nVent product instruction sheets and training materials. Instruction sheets are available at www.nVent.com and from your nVent customer service representative.
- nVent products must never be used for a purpose other than the purpose for which they were designed or in a manner that exceeds specified load ratings.
- All instructions must be **completely** followed to ensure proper and safe installation and performance.
- Improper installation, misuse, misapplication or other failure to completely follow nVent's instructions and warnings may cause product malfunction, property damage, serious bodily injury and/or death, and void your warranty.
- Products that are manufactured using spring steel components shall be used only in a non-corrosive indoor environment.
- All pipe supports, hangers, intermediate components and structural attachments must **ONLY** be used as described herein and are **NEVER** to be used for any other purpose.

NOTE: All load ratings are for static conditions and do not account for dynamic loading such as wind, water or seismic loads, unless otherwise noted.

The customer is responsible for:

- Conformance to all governing codes.
- The integrity of structures to which the products are attached, including their capability of safely accepting the loads imposed, as evaluated by a qualified engineer.
- Using appropriate industry standard hardware as noted above.

SAFETY INSTRUCTIONS:

All governing codes and regulations and those required by the job site must be observed. Always use appropriate safety equipment such as eye protection, hard hat, and gloves as appropriate to the application.

nVent, nVent CADDY, nVent ERICO Cadweld, nVent ERICO Critec, nVent ERICO, nVent ERIFLEX, and nVent LENTON are owned by nVent or its global affiliates. All other trademarks are the property of their respective owners. nVent reserves the right to change specifications without prior notice.



TECHNICAL SUPPORT:
www.nVent.com

CFS644_C

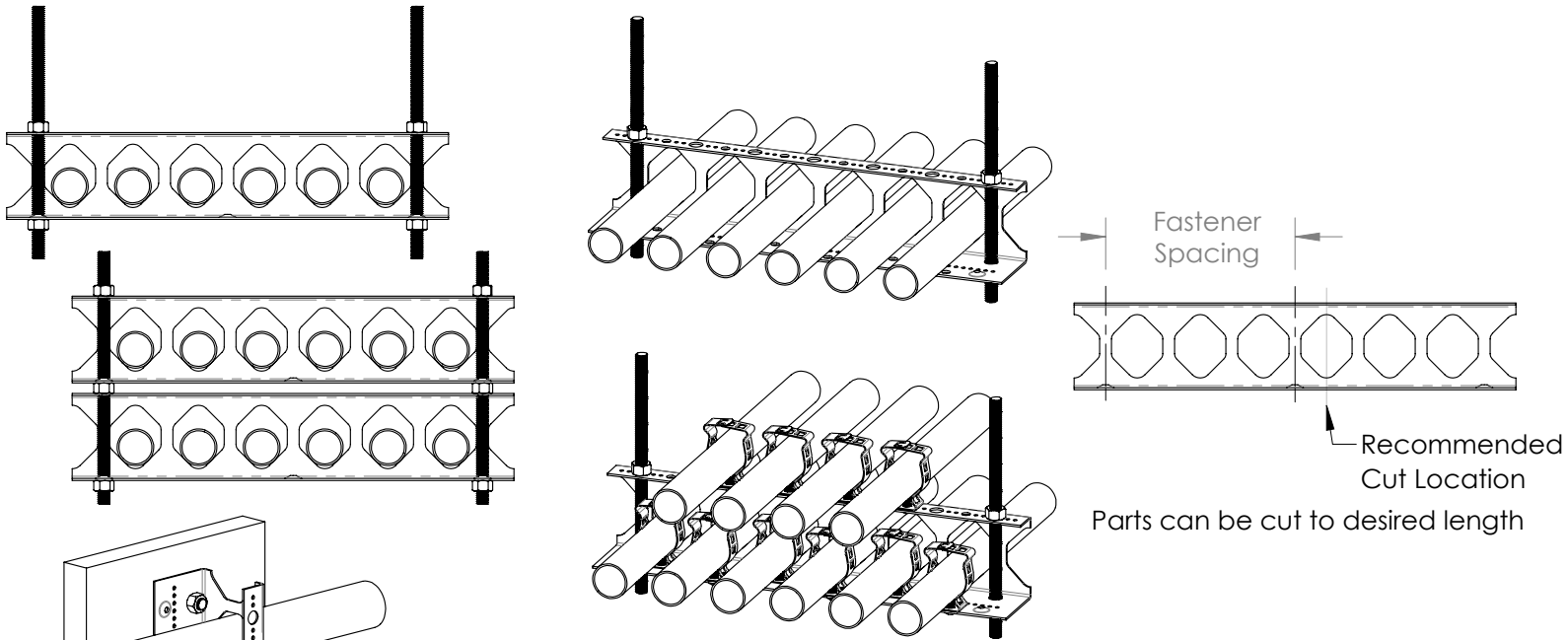
1 OF 2

© 2022-2023 nVent All Rights Reserved

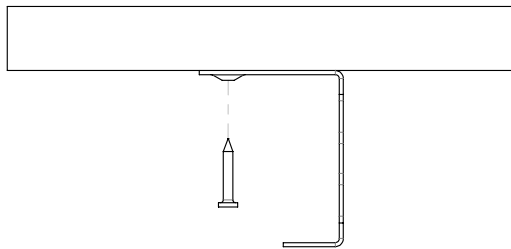
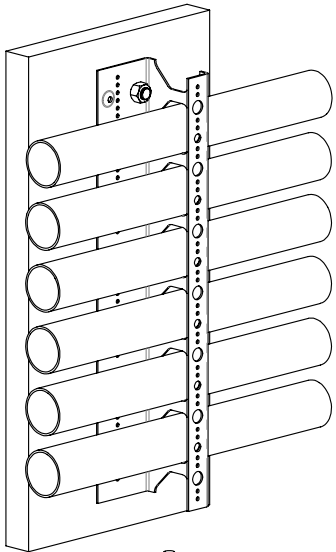


Part Family	Evenly Distributed Load Rating (lbs) at Fastener Spacing						
	12" [14.5"]	18" [21.75"]	24" [29"]	30" [36.25"]	36" [43.5"]	42" [50.75"]	48"
CCT1*	750	600	475	425	375	300	---
CCT125	750	600	475	425	375	325	300
CCT2	720	600	475	425	375	325	300
CCT4	650	600	550	525	500	475	450

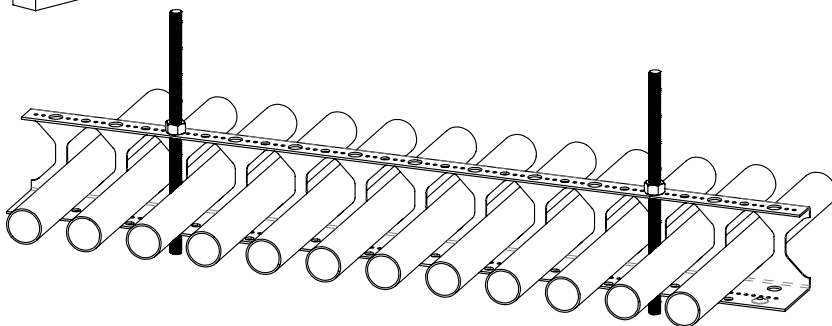
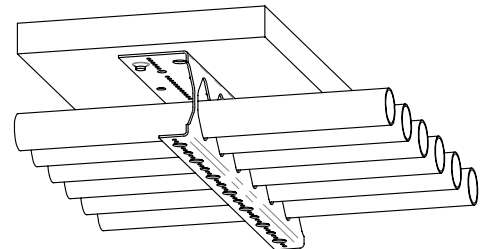
*CCT1 fastener spacings are shown in []



Shown with optional part number 16M (not included)



3/16" hole accepts shotfire pin.
(Pin not included)



Max 2 cantilevered conduits

