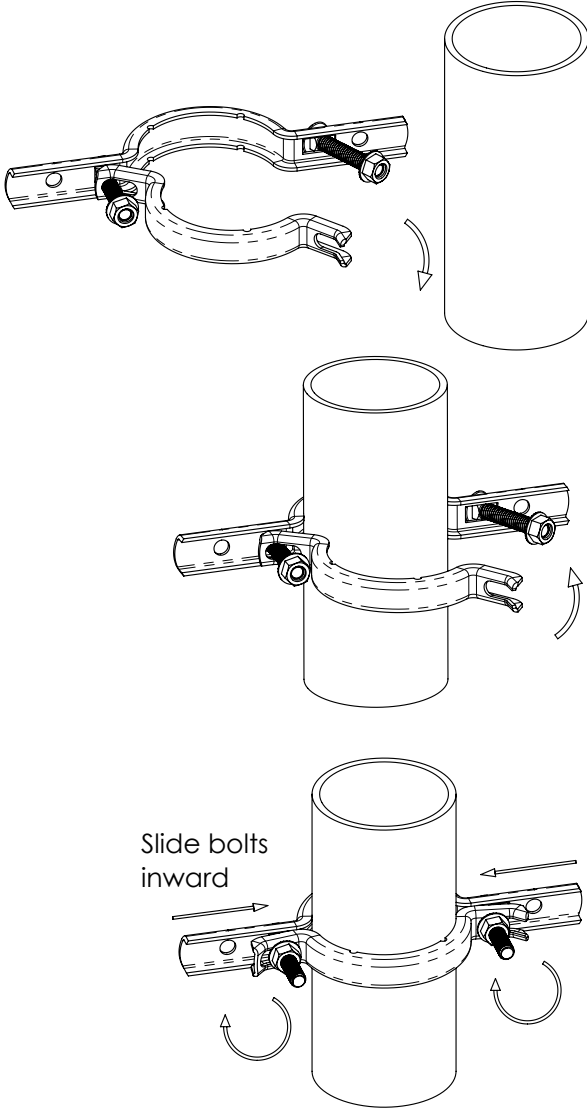


CADDY EZR RISER

Model Number: EZR

This product provides support for vertical steel pipe risers.
Install in accordance with ANSI/MSS-SP-58.



EG Finish		Service Pipe Size		Bolt	Max. Recom. Load
Part Number	Article Number	NPS	mm	Size	lbs (N)
EZR0050	179225	1/2	15	3/8-16	255 (1,134)
EZR0075	179226	3/4	20	3/8-16	255 (1,134)
EZR0100	179227	1	25	3/8-16	255 (1,134)
EZR0125	179228	1 1/4	32	3/8-16	255 (1,134)
EZR0150	179229	1 1/2	38	3/8-16	255 (1,134)
EZR0200	179230	2	50	3/8-16	255 (1,134)
EZR0250	179231	2 1/2	65	3/8-16	390 (1,735)
EZR0300	179232	3	80	3/8-16	530 (2,358)
EZR0350	179233	3 1/2	90	1/2-13	670 (2,980)
EZR0400	179234	4	100	1/2-13	810 (3,603)
EZR0500	179235	5	125	1/2-13	1,160 (5,160)
EZR0600	179236	6	150	1/2-13	1,570 (6,984)

Recommended Torque	
3/8-16 Bolt	19 ft.lbs.
1/2-13 Bolt	50 ft.lbs.

WARNING:

1. nVent products shall be installed and used only as indicated in nVent product instruction sheets and training materials. Instruction sheets are available at www.nVent.com and from your nVent customer service representative.
2. nVent products must never be used for a purpose other than the purpose for which they were designed or in a manner that exceeds specified load ratings.
3. All instructions must be **completely** followed to ensure proper and safe installation and performance.
4. Improper installation, misuse, misapplication or other failure to completely follow nVent's instructions and warnings may cause product malfunction, property damage, serious bodily injury and/or death, and void your warranty.
5. Products that are manufactured using spring steel components shall be used only in a non-corrosive indoor environment.
6. All pipe supports, hangers, intermediate components and structural attachments must **ONLY** be used as described herein and are **NEVER** to be used for any other purpose.

NOTE: All load ratings are for static conditions and do not account for dynamic loading such as wind, water or seismic loads, unless otherwise noted.

The customer is responsible for:

- a. Conformance to all governing codes.
- b. The integrity of structures to which the products are attached, including their capability of safely accepting the loads imposed, as evaluated by a qualified engineer.
- c. Using appropriate industry standard hardware as noted above.

SAFETY INSTRUCTIONS:

All governing codes and regulations and those required by the job site must be observed. Always use appropriate safety equipment such as eye protection, hard hat, and gloves as appropriate to the application.

nVent, nVent CADDY, nVent ERICO Cadweld, nVent ERICO Critec, nVent ERICO, nVent ERIFLEX, and nVent LENTON are owned by nVent or its global affiliates. All other trademarks are the property of their respective owners. nVent reserves the right to change specifications without prior notice.

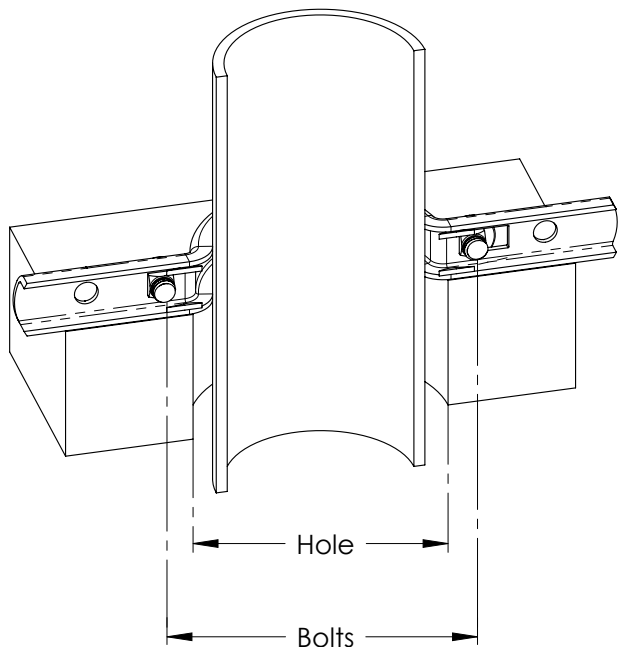
TECHNICAL SUPPORT:
www.nVent.com

CFS569_C

1 OF 2

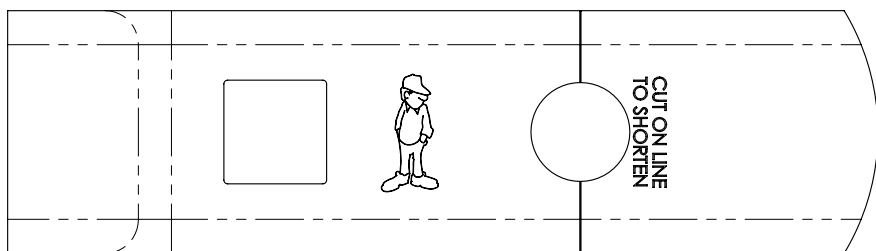
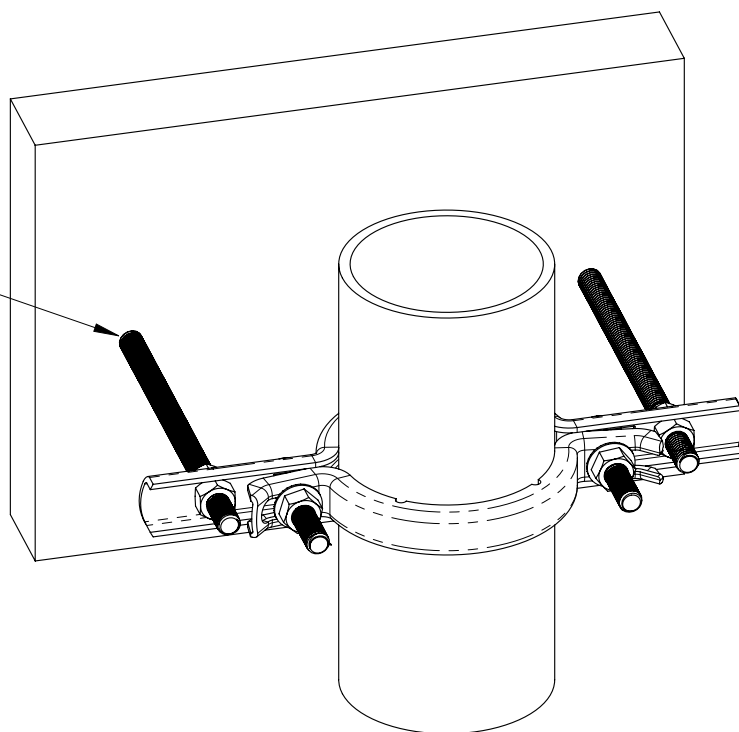
© 2017-2018 nVent All Rights Reserved





Note: Wings of riser clamp must rest on structure with a hole diameter no larger than the bolts.

Use threaded rod to space off wall



Cut on line to shorten (UL Listed installation option)