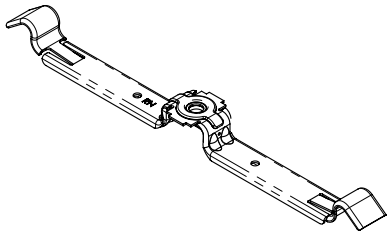


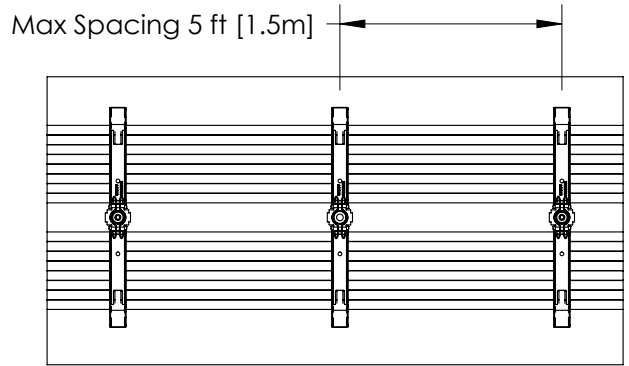
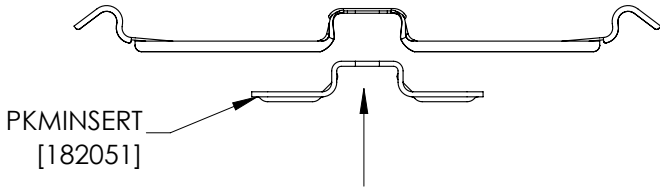
Metal Pressure Clip PKM



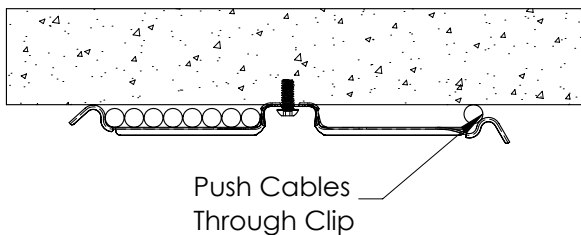
Global Part Number	Local Part Number	Cable Capacity		Hole Size in [mm]	Installation Method
		Ø0.39" [10 mm]	Ø0.50" [13 mm]*		
PKM10H3GBSF	182053	Max 16 cables	Max 12 cables	0.118 [3.00]	Gas or Battery Actuated Tools**
PKM16H3GBSF	182054	Max 10 cables	Max 6 cables		
PKM16H3	182046	Max 16 cables	Max 12 cables	.187 [4.75]	Gas or Powder Actuated Tools
PKM10H3	182044	Max 10 cables	Max 6 cables		
PKM16H6	182047	Max 16 cables	Max 12 cables	.280 [7.11]	1/4" or M6 stud, Self Tapping Screw or Drive Pin
PKM10H6	182045	Max 10 cables	Max 6 cables		
Fire-Rated Assemblies - Use PKMINSERT [182051]					
PKM16H6IN	182049	See abP Certificate***		.280 [7.11]	See abP Certificate***
PKM10H6IN	182048				
PKMINSERT	182051				

- * For 0.50" [13 mm] diameter cables, place large 0.25" [6 mm] washer between fastener and structure.
- ** Nail gun insert is compatible with BeA@ CN60-688ES, Hilti@ BX 3, GX 3, Powers@ Trak-It C3, SPIT@ PULSA 800E, 700, 1000 or equivalent nailers.
- ***abP certificate is available on product webpage at www.nVent.com or contact your local nVent customer service representative for fire rated applications.

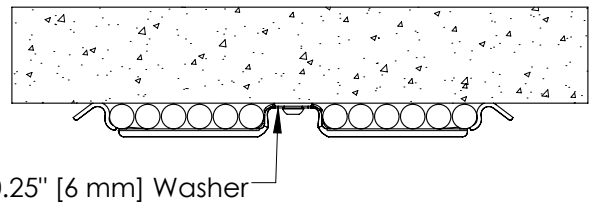
Fire Rated Installation:



Ø0.39" [10 mm] Cable Installation:



Ø0.50" [13 mm] Cable Installation:



WARNING:

1. nVent products shall be installed and used only as indicated in nVent product instruction sheets and training materials. Instruction sheets are available at www.nVent.com and from your nVent customer service representative.
2. nVent products must never be used for a purpose other than the purpose for which they were designed or in a manner that exceeds specified load ratings.
3. All instructions must be **completely** followed to ensure proper and safe installation and performance.
4. Improper installation, misuse, misapplication or other failure to completely follow nVent's instructions and warnings may cause product malfunction, property damage, serious bodily injury and/or death, and void your warranty.
5. Products that are manufactured using spring steel components shall be used only in a non-corrosive indoor environment.
6. All pipe supports, hangers, intermediate components and structural attachments must **ONLY** be used as described herein and are **NEVER** to be used for any other purpose.

NOTE: All load ratings are for static conditions and do not account for dynamic loading such as wind, water or seismic loads, unless otherwise noted.

The customer is responsible for:

- a. Conformance to all governing codes.
- b. The integrity of structures to which the products are attached, including their capability of safely accepting the loads imposed, as evaluated by a qualified engineer.
- c. Using appropriate industry standard hardware as noted above.

SAFETY INSTRUCTIONS:

All governing codes and regulations and those required by the job site must be observed. Always use appropriate safety equipment such as eye protection, hard hat, and gloves as appropriate to the application.

nVent, CADDY, ERICO CADWELD, ERICO CRITEC, ERICO, ERIFLEX, and LENTON are owned by nVent or its global affiliates. All other trademarks are the property of their respective owners. nVent reserves the right to change specifications without prior notice.