

CADDY ROD LOCK Strut

M8 & M10, A25 & C25 Metric Struts, 550 mm - 1050 mm span

Part Number	Article Number	Rod Size	Strut Type	Strut Thickness mm	Span L Between Two Rods mm	Overall Strut Length L1 mm	F* [N]
CRLP1M8L550	390029	M8	C - type	2.5	550	600	2306
CRLP1M8L750	390030				750	800	1307
CRLP1M10L550	390035	M10			550	600	2306
CRLP1M10L750	390036				750	800	1307
CRLP2M8L550	390031	M8	A - type	2.5	550	600	7484
CRLP2M8L750	390032				750	800	5488
CRLP2M8L950	390033				950	1000	4333
CRLP2M8L1050	390034				1050	1100	3920
CRLP2M10L550	390037	M10			550	600	7484
CRLP2M10L750	390038				750	800	5488
CRLP2M10L950	390039				950	1000	4333
CRLP2M10L1050	390040				1050	1100	3920

*Capacity ratings for strut (F) assumes a uniformly distributed load and includes a hole factor of 0.92. The load applied to CADDY ROD LOCK Strut should include a factor of safety appropriate for the application in which the strut is being used. For indoor applications only.

Note: Product must be installed with the open side of the channel facing up. See Figure 1.

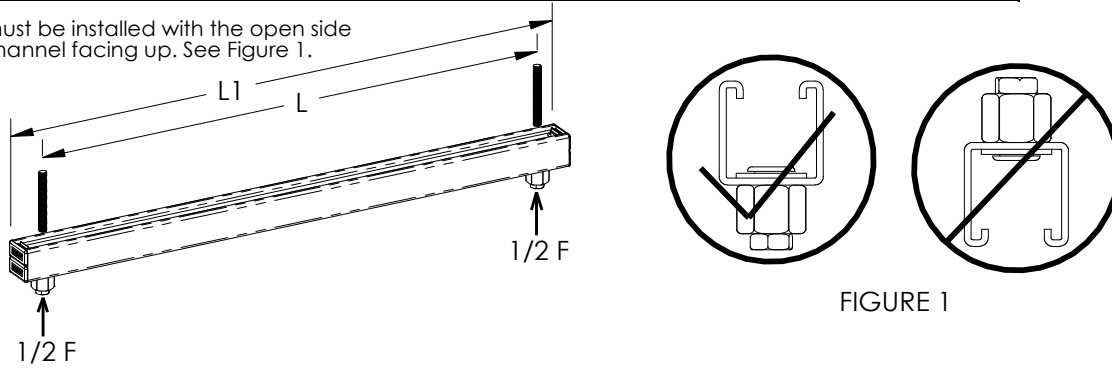
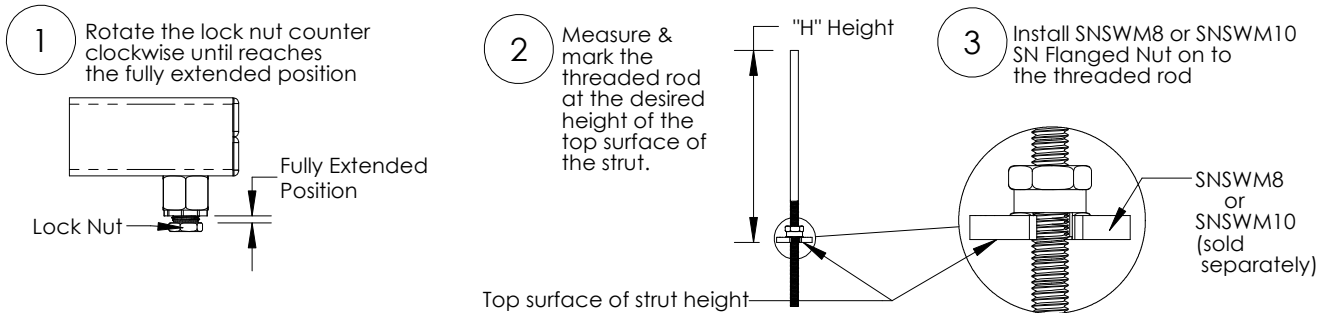


FIGURE 1

Recommended installation method using SNSWM8 or SNSWM10



WARNING:

1. Pentair products shall be installed and used only as indicated in Pentair product instruction sheets and training materials. Instruction sheets are available at www.erico.pentair.com and from your Pentair customer service representative.
2. PENTAIR products must never be used for a purpose other than the purpose for which they were designed or in a manner that exceeds specified load ratings.
3. All instructions must be completely followed to ensure proper and safe installation and performance.
4. Improper installation, misuse, misapplication or other failure to completely follow Pentair's instructions and warnings may cause product malfunction, property damage, serious bodily injury and/or death, and void your warranty.
5. Products that are manufactured using spring steel components shall be used only in a non-corrosive indoor environment.
6. All pipe supports, hangers, intermediate components and structural attachments must ONLY be used as described herein and are NEVER to be used for any other purpose.

NOTE: All load ratings are for static conditions and do not account for dynamic loading such as wind, water or seismic loads, unless otherwise noted.

The customer is responsible for:

- a. Conformance to all governing codes.
- b. The integrity of structures to which the products are attached, including their capability of safely accepting the loads imposed, as evaluated by a qualified engineer.
- c. Using appropriate industry standard hardware as noted above.

SAFETY INSTRUCTIONS:

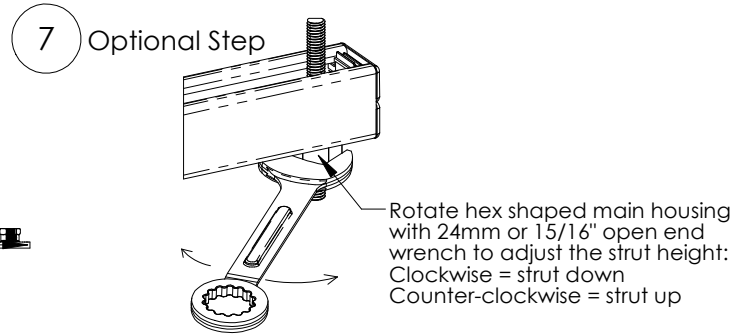
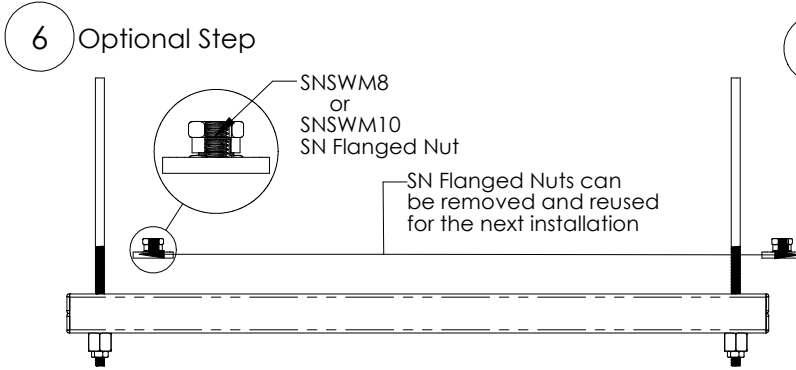
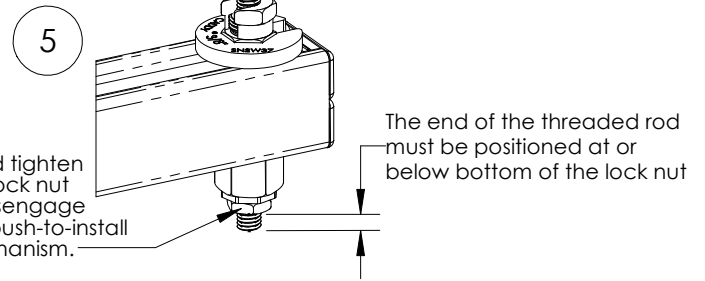
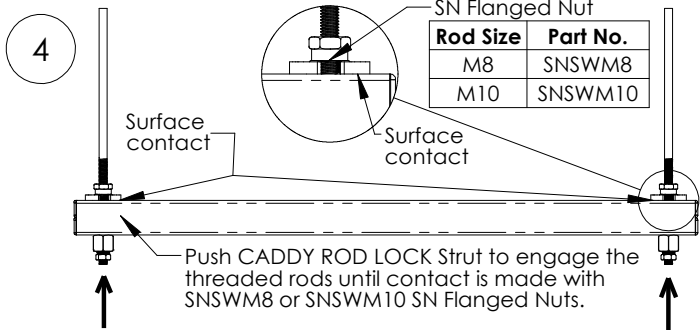
All governing codes and regulations and those required by the job site must be observed. Always use appropriate safety equipment such as eye protection, hard hat, and gloves as appropriate to the application.

Pentair, CADDY, ERICO CADWELD, ERICO CRITEC, ERICO, ERIFLEX, and LENTON are owned by Pentair or its global affiliates. All other trademarks are the property of their respective owners. Pentair reserves the right to change specifications without prior notice.

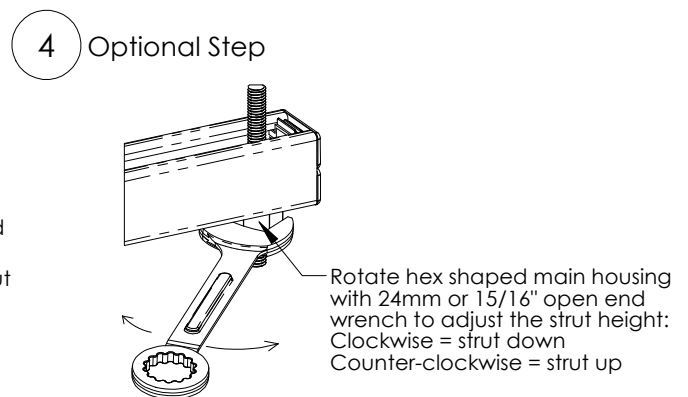
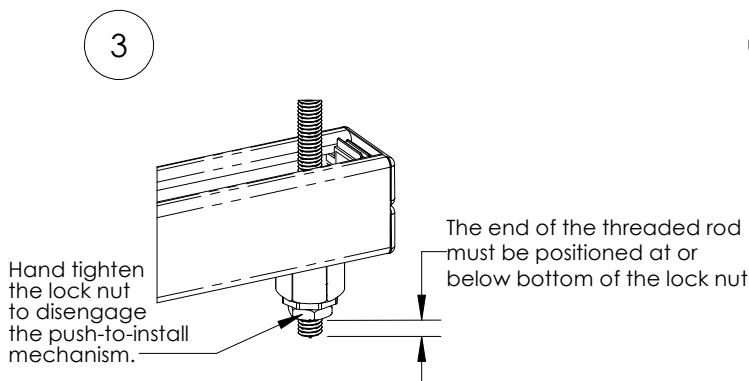
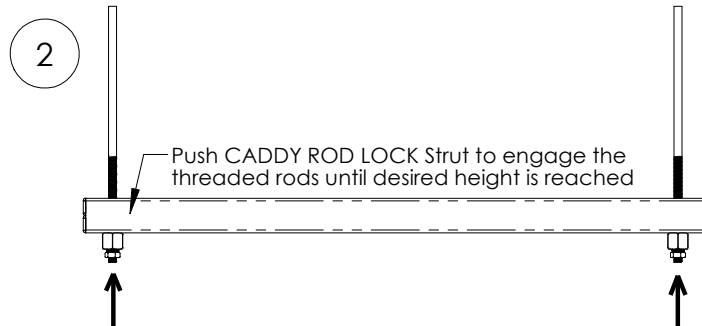
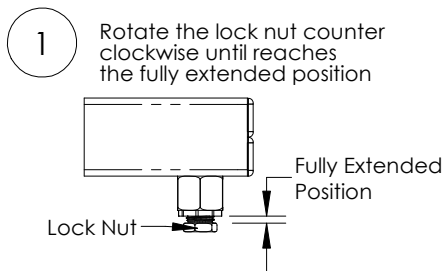


CADDY ROD LOCK Strut

M8 & M10, A25 & C25 Metric Struts, 550 mm - 1050 mm span



General installation method without using SNSWM8 or SNSWM10



Pentair, CADDY, ERICO CADWELD, ERICO CRITEC, ERICO, ERIFLEX, and LENTON are owned by Pentair or its global affiliates. All other trademarks are the property of their respective owners. Pentair reserves the right to change specifications without prior notice.