

CADDY[®] PYRAMID UNIVERSAL SUPPORTS

FIXED HEIGHT STRUT FREE SUPPORTS

Part Number	Article Number	Description	Max. Rec. Load*	
			LBS	N
PBU6	360488	Fixed Height Support Strut Free: 4 In. Tall, 5.5 In. Long, (3) 3/8-16 SS NUTS	300	1334
PBU6M	360495	Fixed Height Support Strut Free: 4 In. Tall, 5.5 In. Long, (3) M10 SS NUTS	300	1334
PBU10	360489	Fixed Height Support Strut Free: 4 In. Tall, 10 In. Long, (2) 3/8-16 SS NUTS	1000	4450
PBU10M	360496	Fixed Height Support Strut Free: 4 In. Tall, 10 In. Long, (2) M10 SS NUTS	1000	4450
PBU16	360490	Fixed Height Support Strut Free: 4 In. Tall, 16 In. Long, (2) 3/8-16 SS NUTS	1500	6670
PBU16M	360497	Fixed Height Support Strut Free: 4 In. Tall, 16 In. Long, (2) M10 SS NUTS	1500	6670

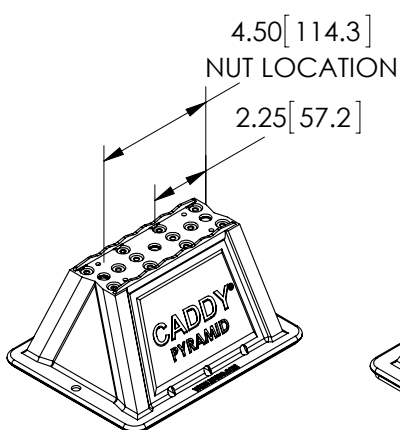
*Maximum recommended load at 10.6 psi roof loading. Contact project or roofing engineer for maximum allowable load on individual project roof system.

*All loads are assumed to be uniformly distributed.

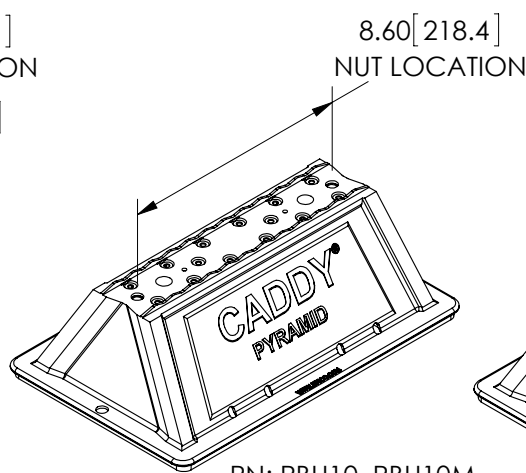
ERICO does not recommend the use of CADDY[®] PYRAMID Universal series supports on sloped rooftops with more than 1/12 pitch unless there is a structural attachment of the supports to the roof structure.

Installation steps:

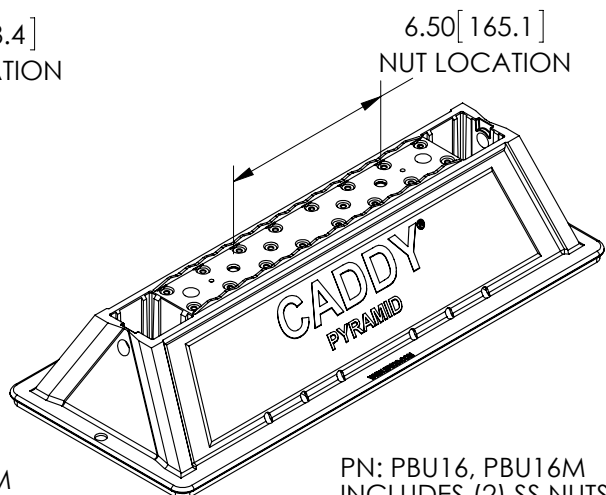
1. 3/8-16 or M10 stainless steel nuts are pre-installed to allow installation of custom hardware.
2. Sweep off loose gravel, if gravel exists.
3. Consult manufacturer of existing or new roofing system to determine what type of isolation pads are required by their roofing system.
4. After pads are installed, place bases on pads.



PN: PBU6, PBU6M
INCLUDES (3) SS NUTS



PN: PBU10, PBU10M
INCLUDES (2) SS NUTS



PN: PBU16, PBU16M
INCLUDES (2) SS NUTS

WARNING:

1. ERICO products shall be installed and used only as indicated in ERICO product instruction sheets and training materials. Instruction sheets are available at www.erico.com and from your ERICO customer service representative.
2. ERICO products must never be used for a purpose other than the purpose for which they were designed or in a manner that exceeds specified load ratings.
3. All instructions must be completely followed to ensure proper and safe installation and performance.
4. Improper installation, misuse, misapplication or other failure to completely follow ERICO's instructions and warnings may cause product malfunction, property damage, serious bodily injury and death.
5. Products that are manufactured using spring steel components shall be used only in a non-corrosive indoor environment.
6. All pipe supports, hangers, intermediate components and structural attachments must ONLY be used as described herein and are NEVER to be used for any other purpose.

NOTE: All load ratings are for static conditions and do not account for dynamic loading such as wind, water or seismic loads, unless otherwise noted.

The customer is responsible for:

- a. Conformance to all governing codes.
- b. The integrity of structures to which the products are attached, including their capability of safely accepting the loads imposed, as evaluated by a qualified engineer.
- c. Using appropriate industry standard hardware as noted above.

SAFETY INSTRUCTIONS:

All governing codes and regulations and those required by the job site must be observed. Always use appropriate safety equipment such as eye protection, hard hat, and gloves as appropriate to the application.



CADDY, CADWELD, CRITEC, ERICO, ERIFLEX, ERITECH, and LENTON are registered trademarks of ERICO International Corporation.

TECHNICAL SUPPORT:
www.erico.com

CFS506_A

1 OF 1

© 2014 ERICO International Corporation.

