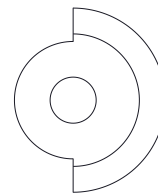
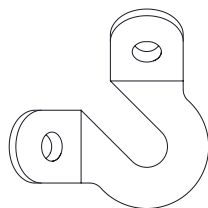
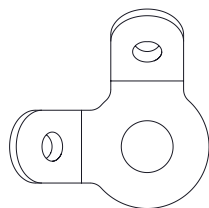


CADDY Sway Bracing

CSBURCXX, CSBURCRXX, CSBURC48XX, and CSBNPC12



Part Number	Article Number
CSBURC38	402198
CSBURC12	402199
CSBURC58	402200
CSBURC4812	402204
CSBURC4858	402205
CSBURC4834	402206

Part Number	Article Number
CSBURCR38	402201
CSBURCR12	402202
CSBURCR58	402203

Part Number	Article Number
CSBNPC12	402208

Part Number	Article Number	Description	Fastener Hole Accepts	Cable Hole Accepts	Section Number	UL® Load Rating
CSBURC38	402198	Universal Restraint Clip	3/8" or M10	Red, #12, 3/32in (2.4mm) White, #18, 1/8in (3.2mm) Blue, #36, 3/16in (4.8mm)	1	1600 lbs 726 Kg
CSBURC12	402199		1/2" or M12			
CSBURC58	402200		5/8" or M16			
CSBURCR38	402201	Universal Restraint Clip Retrofit	3/8" or M10	Red, #12, 3/32in (2.4mm) or White, #18, 1/8in (3.2mm) when 2ea CSBURCR's are stacked on one another	2	NA
CSBURCR12	402202		1/2" or M12			
CSBURCR58	402203		5/8" or M16			
CSBURC4812	402204	Universal Restraint Clip, 1/4 In Cable	1/2" or M12	Yellow, #48, 1/4in (6.4mm)	1	3500 lbs 1588 Kg
CSBURC4858	402205		5/8" or M16			
CSBURC4834	402206		3/4" or M20			
CSBNPC12	402208	No Pry Clip	1/2" or M12	Recessed rim accepts Red, #12, 3/32in (2.4mm) White, #18, 1/8in (3.2mm) Blue, #36, 3/16in (4.8mm)	3	2800 LBS 1270 Kg

WARNING:

- Pentair products shall be installed and used only as indicated in Pentair product instruction sheets and training materials. Instruction sheets are available at www.erico.pentair.com and from your Pentair customer service representative.
- PENTAIR products must never be used for a purpose other than the purpose for which they were designed or in a manner that exceeds specified load ratings.
- All instructions must be **completely** followed to ensure proper and safe installation and performance.
- Improper installation, misuse, misapplication or other failure to completely follow Pentair's instructions and warnings may cause product malfunction, property damage, serious bodily injury and/or death, and void your warranty.
- Products that are manufactured using spring steel components shall be used only in a non-corrosive indoor environment.
- All pipe supports, hangers, intermediate components and structural attachments must **ONLY** be used as described herein and are **NEVER** to be used for any other purpose.

NOTE: All load ratings are for static conditions and do not account for dynamic loading such as wind, water or seismic loads, unless otherwise noted.

The customer is responsible for:

- Conformance to all governing codes.
- The integrity of structures to which the products are attached, including their capability of safely accepting the loads imposed, as evaluated by a qualified engineer.
- Using appropriate industry standard hardware as noted above.

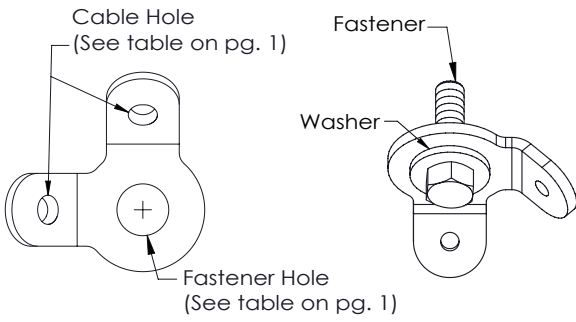
SAFETY INSTRUCTIONS:

All governing codes and regulations and those required by the job site must be observed.
Always use appropriate safety equipment such as eye protection, hard hat, and gloves as appropriate to the application.

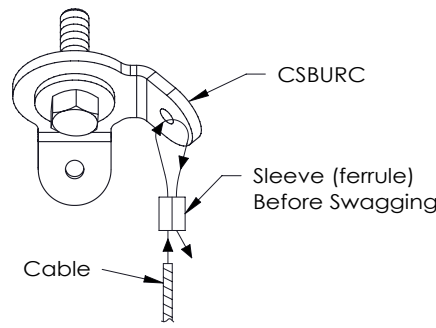


Pentair, CADDY, ERICO CADWELD, ERICO CRITEC, ERICO, ERIFLEX, and LENTON are owned by Pentair or its global affiliates. All other trademarks are the property of their respective owners. Pentair reserves the right to change specifications without prior notice.

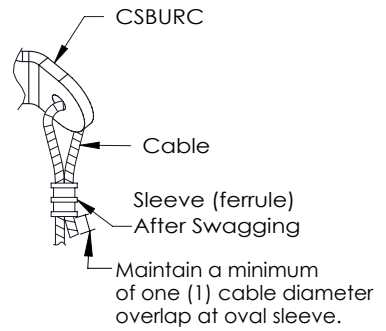
Section 1: CSBURCXX, CSBURC48XX, 402198 - 402200, 402204 - 402206



Step 1- Insert fastener with washer through the fastener hole and tighten the CSBURC to the structure.



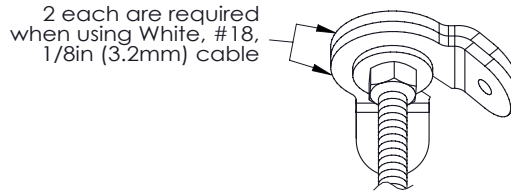
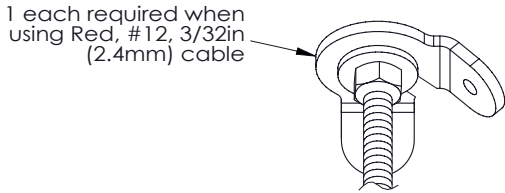
Step 2 - Insert cable through a sleeve (ferrule), and then through CSBURC, and then back through the sleeve (ferrule).



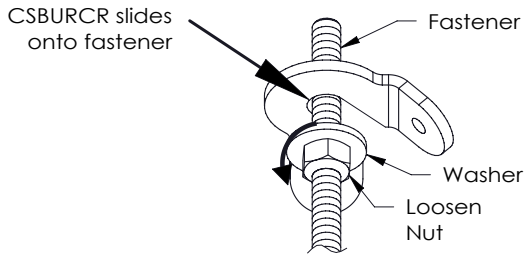
Step 3 - The sleeve (ferrule) has to be swaged by using a swaging tool (CSB3346SB, CSB13SBHS, CSB48 or CSBHS02). Refer to the tool manufacturers instructions for the number of swages needed per cable.

Note: Step 1 can be alternated with Steps 2 and 3, it is up to the installers preference.

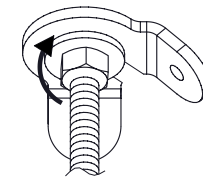
Section 2: CSBURCRXX, 402201 - 402203



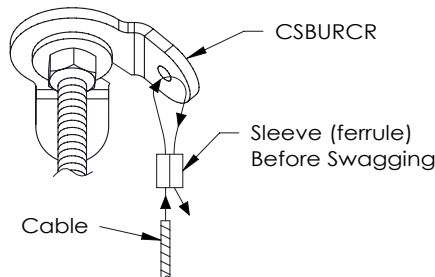
Step 1- If using Red, #12, 3/32in (2.4mm) cable, 1 each CSBURCR is used. If using White, #18, 1/8in (3.2mm) cable, 2 each CSBURCR's are used.



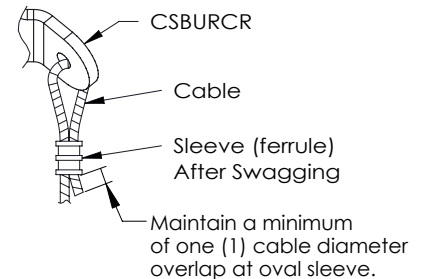
Step 2 - Loosen the nut on the fastener that the CSBURCR will be used with. Slide the CSBURCR in-between the washer and mounting surface.



Step 3 - Tighten the nut until tight.



Step 4 - Insert cable through a sleeve (ferrule), and then through CSBURCR, and then back through the sleeve (ferrule).



Step 5 - The sleeve (ferrule) has to be crimped by using a swaging tool (CSB3346SB, CSB13SBHS, CSB48 or CSBHS02). Refer to the tool manufacturers instructions for the number of swages needed per cable size.

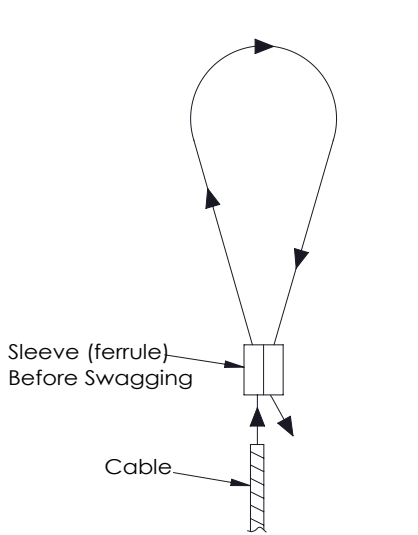
Note: Steps 2 and 3 can be alternated with Steps 4 and 5, it is up to the installers preference.



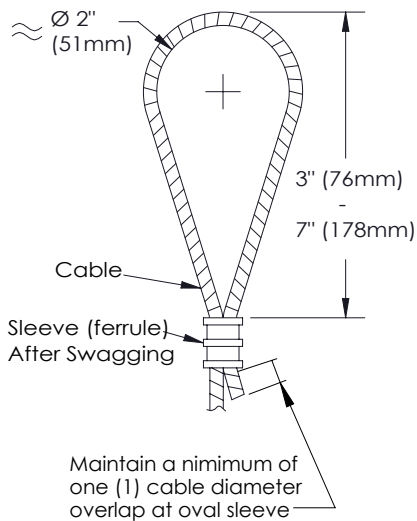
Pentair, CADDY, ERICO CADWELD, ERICO CRITEC, ERICO, ERIFLEX, and LENTON are owned by Pentair or its global affiliates. All other trademarks are the property of their respective owners. Pentair reserves the right to change specifications without prior notice.

Section 3: CSBNPC12, 402208

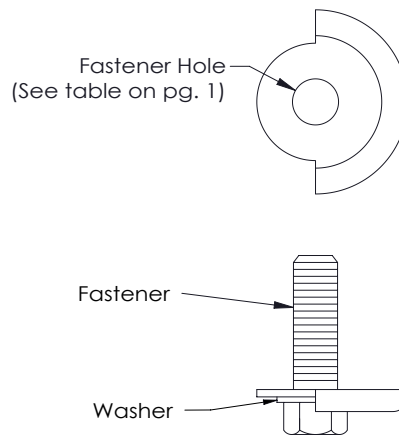
Note: To be used with (Red, #12, 3/32in [2.4mm]), (White, #18, 1/8in [3.2mm]) and (Blue, #36, 3/16in [4.8mm]) cable.



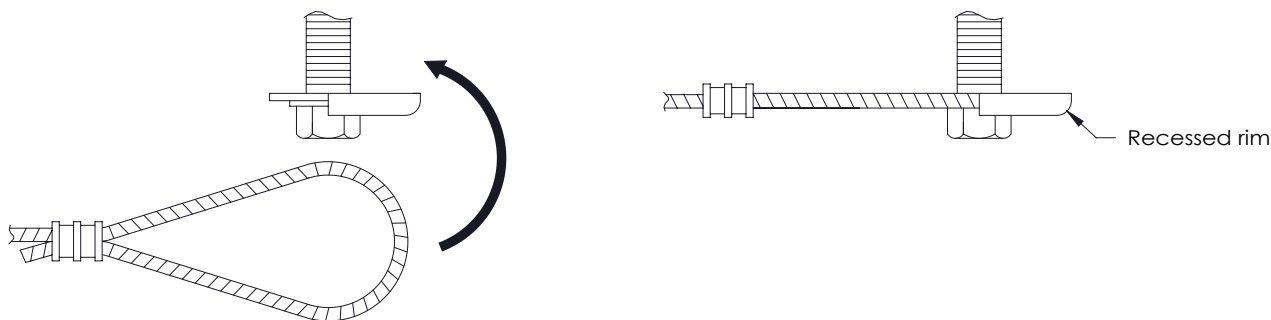
Step 1 - Insert cable through a sleeve (ferrule), and then back through the sleeve (ferrule) to create a loop.



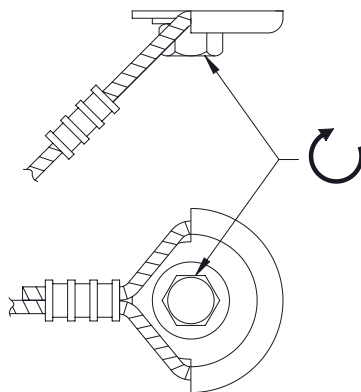
Step 2 - The sleeve (ferrule) has to be swaged by using a swaging tool (CSB3346SB, CSB13SBHS, or CSBHS02). Refer to the tool manufacturer's instructions for the number of swages needed per cable size.



Step 3 - Insert fastener with washer through the fastener hole and screw into the structure. Leave space for cable loop to be inserted.



Step 4 - Put the loop in-between the CSBNPC12 and the structure. Then place the loop inside the recessed rim of CSBNPC12.



Step 5 - Tighten the CSBNPC12 to the structure.



Pentair, CADDY, ERICO CADWELD, ERICO CRITEC, ERICO, ERIFLEX, and LENTON are owned by Pentair or its global affiliates. All other trademarks are the property of their respective owners. Pentair reserves the right to change specifications without prior notice.