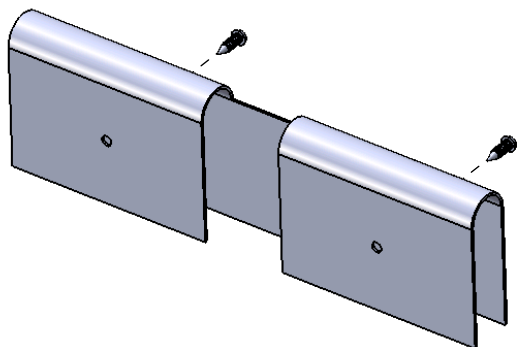


CADDY® SFCLT CFS

Required for T-bar joint reinforcement between hanger wires adjacent to CADDY® SFCLT clamps

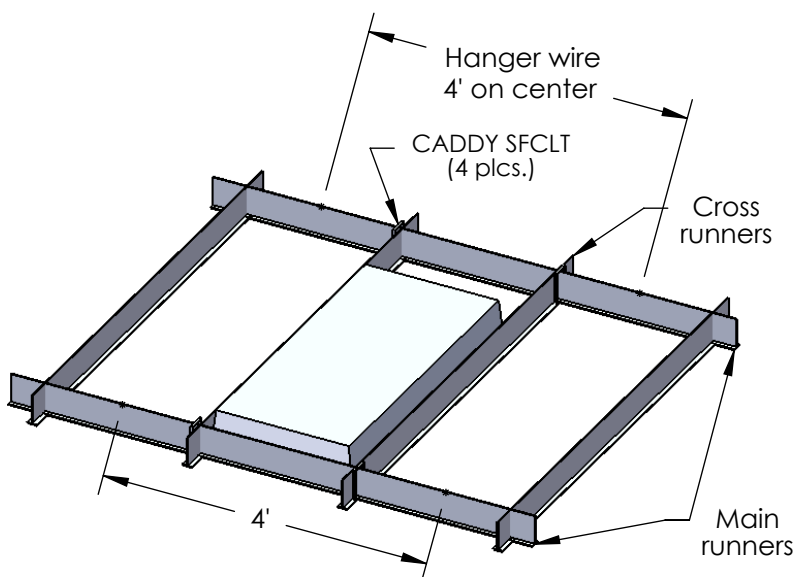


If a main runner connection (joint) is located between the two T-Bar hanger wires that are adjacent to the light fixture being secured with CADDY SFCLT clamps, a CADDY SFCLT CFS clamp is required to reinforce the main runner joint. The CADDY SFCLT CFS is a straight connector for joining two main runners. It is essential to install each CADDY SFCLT CFS using 2 #10 self-tapping screws provided in the package.

Note: Prior to installation of any CADDY SFCLT, check to make sure:

- The T-Bar grid is anchored properly.
- All cross runners are securely attached to the main runners.
- Main runners have No. 12 gauge wire hangers at 4' spacing.
- All wire hangers are properly tied with at least 3 turns.

If the existing T-Bar support system does not have No. 12 gauge wire hangers spaced 4' apart, attach two independent No. 12 gauge wires to two CADDY SFCLT clamps at opposite corners of the fixture. Holes are provided in the top of the CADDY SFCLT clamps for this purpose.



CADDY SFCLT CFS Seismic Fixture Clamp

The CADDY SFCLT CFS is designed for use with any type of non-fire rated suspended, T-bar ceiling.

Assembly Instructions:

1. Slide the CADDY SFCLT CFS onto the main runner connection.
2. Align the joint of the main runner connection between the two flaps of the CADDY SFCLT CFS.
3. Locking pliers can assist with the positioning and holding of the CADDY SFCLT CFS while inserting the screws.
4. Tightly insert two screws in each clamp, into the holes provided, from the flap side of each clamp.
5. On some fixtures the screws may penetrate the fixture; drilling a 1/8" pilot hole into the fixture may be required before screwing the CADDY SFCLT CFS, to prevent the fixture from being pushed by the screw.
6. Tile Installation: Install all the tiles adjacent to the light fixture first. Insert the end or side of the tile closest to the fixture, then press the tile into position. In some cases a slight trimming of the tile may be required where it wedges against the clips.

Approved and Listed:

Warnock Hersey, ETL®, Conforms to UL® 1598, Certified to CSA® C22.2 NO. 250.00 Component Only, Meets the requirements of IBC® 2000 Section 1621.2.5.2.2, UBC® 1997 Section 25.213, NEC® 2002 Article 410.16(c), NBC 1995 4.1.9.1.15-19, CEC® 2002 Sections 30-302, CISC A 0-2 / 3&4, ASTM® E 580.

Complies with Acceptance Criteria 184 (AC184)



WARNING:

1. ERICO products shall be installed and used only as indicated in ERICO product instruction sheets and training materials. Instruction sheets are available at www.erico.com and from your ERICO customer service representative.
2. ERICO products must never be used for a purpose other than the purpose for which they were designed or in a manner that exceeds specified load ratings.
3. All instructions must be completely followed to ensure proper and safe installation and performance.
4. Improper installation, misuse, misapplication or other failure to completely follow ERICO's instructions and warnings may cause product malfunction, property damage, serious bodily injury and death.
5. Products that are manufactured using spring steel components shall be used only in a non-corrosive indoor environment.
6. All pipe supports, hangers, intermediate components and structural attachments must ONLY be used as described herein and are NEVER to be used for any other purpose.

NOTE: All load ratings are for static conditions and do not account for dynamic loading such as wind, water or seismic loads, unless otherwise noted.

The customer is responsible for:

- a. Conformance to all governing codes.
- b. The integrity of structures to which the products are attached, including their capability of safely accepting the loads imposed, as evaluated by a qualified engineer.
- c. Using appropriate industry standard hardware as noted above.

SAFETY INSTRUCTIONS:

All governing codes and regulations and those required by the job site must be observed. Always use appropriate safety equipment such as eye protection, hard hat, and gloves as appropriate to the application.

ASTM is a registered trademark of American Society for Testing and Materials
 CEC is a registered trademark of Canadian Standards Association International
 CSA is a registered trademark of The Canadian Standards Association Int'l
 ETL is a registered trademark of Intertek Testing Services NA, Inc.
 IBC is a registered trademark of International Code Council
 NEC is a registered trademark of, and National Electrical Code (NEC) standard is a copyright of the National Fire Protection Association
 UBC is a registered trademark of International Conference of Building Officials Corporation
 UL is a registered trademark of Underwriters Laboratories, Inc.

CADDY, CADWELD, CRITEC, ERICO, ERIFLEX, ERITECH, and LENTON are registered trademarks of ERICO International Corporation.

TECHNICAL SUPPORT:
www.erico.com

CFS359_B

1 OF 1

© 2005, 2010 ERICO International Corporation

ERICO®

