

101 AND 102A SERIES LOOP HANGERS

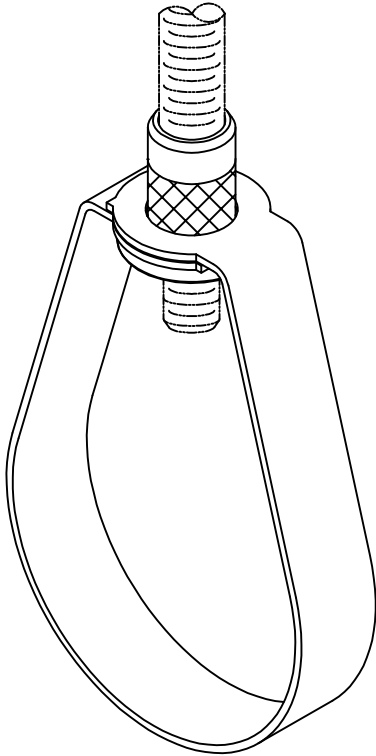
This product provides pipe support for stationary piping only.

Copper plating on Model 101 is for identification purposes only.

Attachment to threaded rod provides for easy installation.

Both models 101 and 102A are for use with ANSI/MSS heavy duty rod sizes.

Model 102A provides protection against electrolysis and light corrosion.



DESCRIPTION:

Model 101, copper plated Swivel Loop Hanger, to hang copper tubing from threaded rod.

Model 102A, PVC coated Swivel Loop Hanger, to hang copper tubing from threaded rod.

MODEL NUMBER	FOR NOMINAL PIPE SIZE	ROD SIZE	MAX. RECOM. LOAD LBS.
101	1/2" 3/4" & 1" 1-1/4" 1-1/2" & 2"	3/8"	180
101	2-1/2"	3/8"	200
101	3"	1/2"	250
101	3-1/2"	1/2"	300
101	4"	1/2"	360
101	5"	5/8"	480
101	6"	3/4"	630
102A	1/2" 3/4" & 1" 1-1/4" 1-1/2" & 2"	3/8"	180
102A	2-1/2"	3/8"	200
102A	3"	1/2"	250
102A	3-1/2"	1/2"	300
102A	4"	1/2"	360
102A	5"	5/8"	480
102A	6"	3/4"	630

WARNING

1. ERICO products shall be installed and used only as indicated in ERICO product instruction sheets and training materials. Instruction sheets are available at www.erico.com and from your ERICO customer service representative.
2. ERICO products must never be used for a purpose other than the purpose for which they were designed or in a manner that exceeds specified load ratings.
3. All instructions must be completely followed to ensure proper and safe installation and performance.
4. Improper installation, misuse, misapplication or other failure to completely follow ERICO's instructions and warnings may cause product malfunction, property damage, serious bodily injury and death.
5. Products that are manufactured using spring steel components shall be used only in a non-corrosive indoor environment.
6. All pipe supports, hangers, intermediate components and structural attachments must ONLY be used as described herein and are NEVER to be used for any other purpose.

NOTE: All load ratings are for static conditions and do not account for dynamic loading such as wind, water or seismic loads, unless otherwise noted.

The customer is responsible for:

- a. Conformance to all governing codes.
- b. The integrity of structures to which the products are attached, including their capability of safely accepting the loads imposed, as evaluated by a qualified engineer.
- c. Using appropriate industry standard hardware as noted above.

SAFETY INSTRUCTIONS: All governing codes and regulations and those required by the job site must be observed. Always use appropriate safety equipment such as eye protection, hard hat, and gloves as appropriate to the application.

CADDY, CADWELD, CRITEC, ERICO, ERIFLEX, ERITECH and LENTON are registered trademarks of ERICO International Corporation.



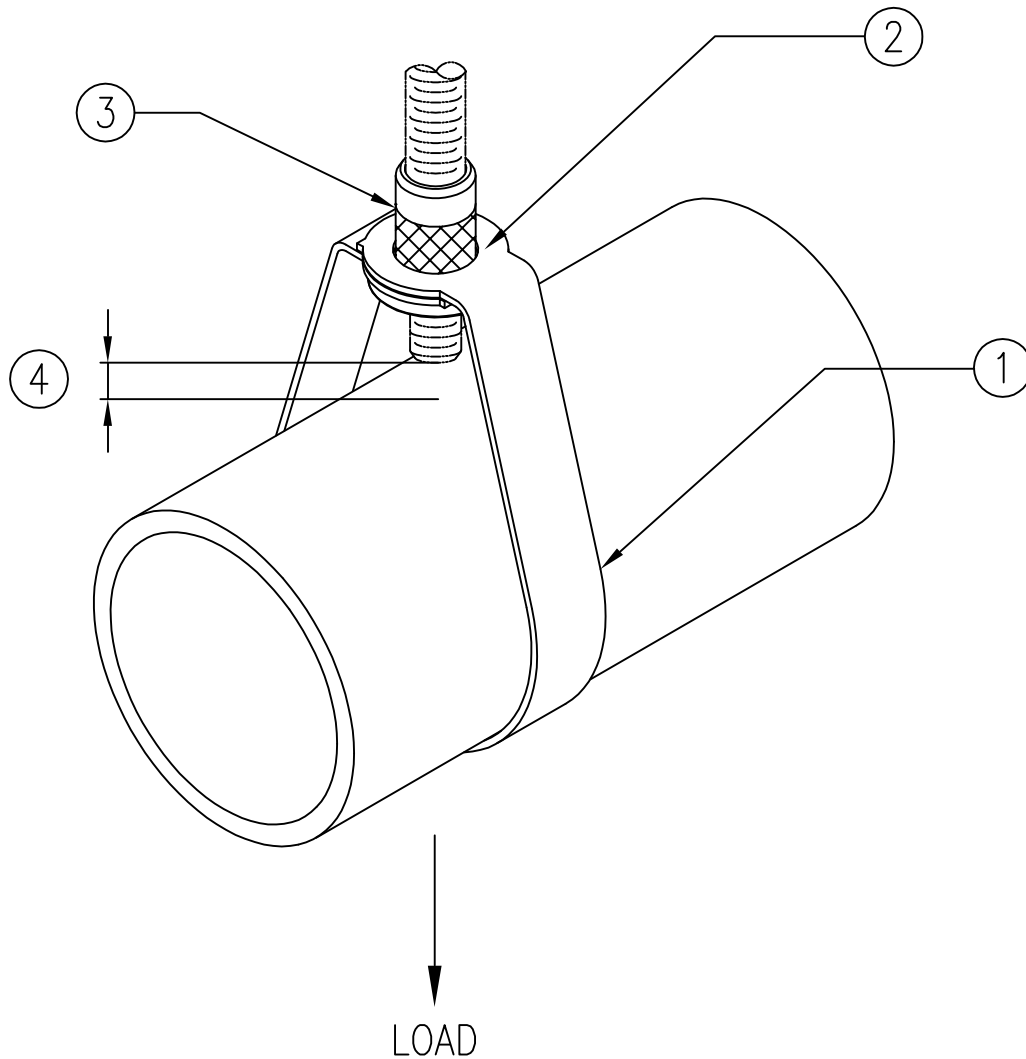
TECHNICAL SUPPORT:
www.erico.com

CFS298_D

1 of 2

© 2009 ERICO International Corporation

ERICO



1. Slide or open Loop Hanger to fit over pipe.
2. Close Loop and insert rod through both tab openings.
3. Thread Knurled nut onto threaded rod.
4. Adjust so that end of threaded rod is approximately 1/16" from pipe.

