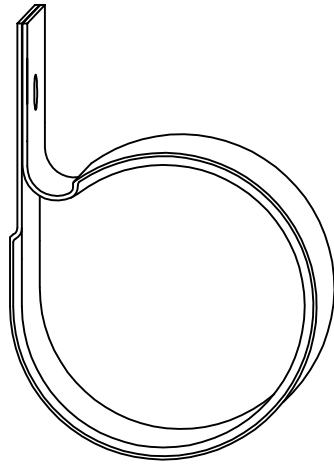
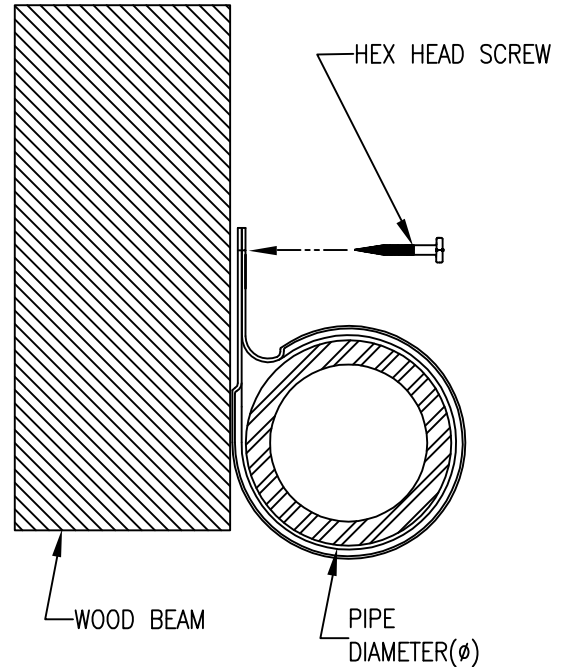


MODEL #107 SERIES ONE HOLE STRAP HANGER



USED FOR PVC PIPE ONLY.



PART NO.	PIPE DIA.
1070075EG	3/4"
1070100EG	1"
1070125EG	1 1/4"
1070150EG	1 1/2"
1070200EG	2"

SCREWS PROVIDED

1. PLACE PVC PIPE INTO HANGER.
2. MOUNT HANGER ON TO WOOD BEAM WITH SCREWS PROVIDED.

WARNING

1. These products shall be used only as illustrated and recommended in product instruction sheets (additional instruction sheets are available at www.erico.com). Misuse or misapplication may cause failure resulting in possible property damage or bodily injury.
2. These products must be used only in the manner depicted in the illustrations that accompany them and must not exceed load ratings.
3. Failure to observe these specifications may cause product malfunction resulting in property damage or bodily injury. ERICO products at the time of shipment are warranted to conform to any applicable written description furnished to the Buyer by ERICO, and to be free from defects in material and workmanship. NO OTHER WARRANTY, WHETHER EXPRESSED OR IMPLIED, (INCLUDING ANY WARRANTY OF MERCHANTABILITY OR FITNESS), SHALL EXIST IN CONNECTION WITH THE SALE OR USE OF ANY ERICO PRODUCT.
4. All instructions must be completely followed to ensure proper and safe operation.
5. All pipe supports, hangers, intermediate components and structural attachments must ONLY be used as described herein and are NEVER to be used for any other purpose.

NOTE: All load ratings are for static conditions and do not account for dynamic loading such as wind, water or seismic loads.

The buyer and/or installer is responsible for:

- a. Application in conformance to all governing codes.
- b. The integrity of structures to which the products are attached, including their capability of safely accepting the loads imposed, as evaluated by a qualified engineer.
- c. Using appropriate industry standard hardware as noted above.

SAFETY WARNING:

SAFETY INSTRUCTIONS: All governing codes and regulations and those required by the job site must be observed. Always use appropriate safety equipment such as eye protection, hard hat, and gloves as appropriate to the application.

CADDY, CADWELD, CRITEC, ERICO, ERIFLEX, ERITECH and LENTON are registered trademarks of ERICO International Corporation.

