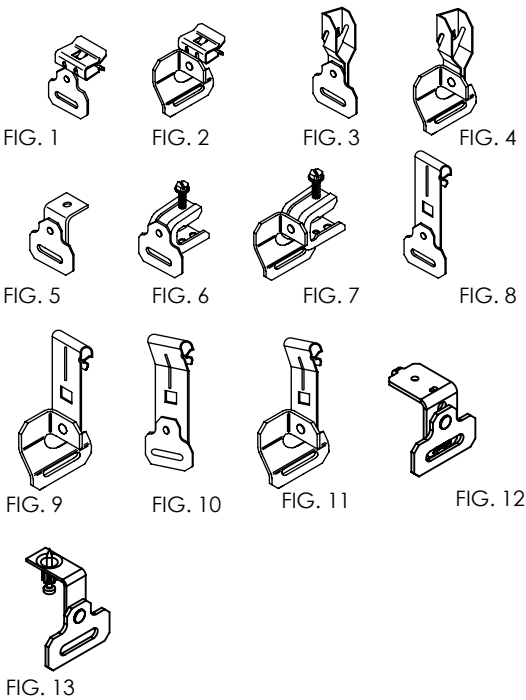
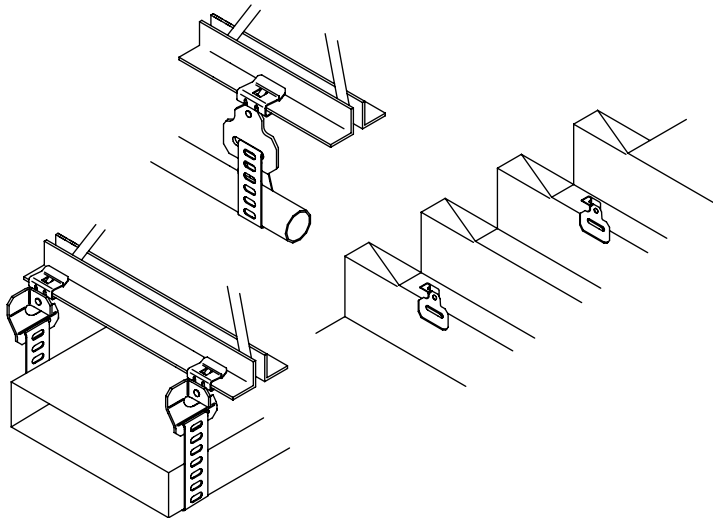


# STRAP HANGER ASSEMBLIES

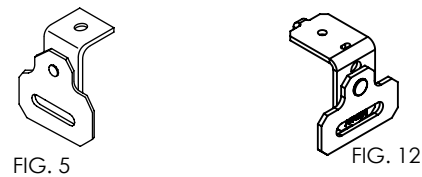
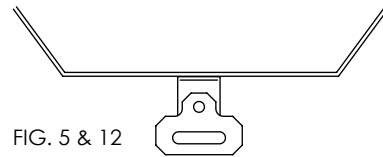


USAGE CHART			
PART NUMBER	FIGURE NUMBER	DESCRIPTION	STATIC LOAD LIMIT (LBS)
MSS24	1	FLANGE THICKNESS 1/8" - 1/4"	200
MSS58	1	FLANGE THICKNESS 5/16" - 1/2"	200
MSS912	1	FLANGE THICKNESS 9/16" - 3/4"	200
MSR24	2	FLANGE THICKNESS 1/8" - 1/4"	200
MSR58	2	FLANGE THICKNESS 5/16" - 1/2"	200
MSR912	2	FLANGE THICKNESS 9/16" - 3/4"	200
MSS2H4	1	FLANGE THICKNESS 3/32" - 9/64"	160
MSR2H4	2	FLANGE THICKNESS 3/32" - 9/64"	160
MSS122	3	HAMMER-ON CLIP FOR Z PURLIN	100
MSR122	4	HAMMER-ON CLIP FOR Z PURLIN	100
MSSAB	5	ANGLE BRACKET WITH 1/4" HOLE	100
MSSBC200	6	FLANGE THICKNESS 1/8" - 5/8"	100
MSRBC200	7	FLANGE THICKNESS 1/8" - 5/8"	100
MSSVF14	8	1/16" - 1/4" VERTICAL FLANGE	100
MSRVF14	9	1/16" - 1/4" VERTICAL FLANGE	100
MSSAF14	10	1/16" - 1/4" PURLIN	100
MSRAF14	11	1/16" - 1/4" PURLIN	100
MSSAFAB3	12	PIN DRIVEN ANGLE BRACKET	200
MSSSF	13	STRAP HANGER AND SHOT FIRE BRACKET	100

WARNING: EXCESSIVE DRIVING MAY DAMAGE OR CAUSE FASTENER TO BREAK.



**INSTALLATION ON DECKING**  
 1. POSITION CLIP ON DECK.  
 2. SECURE WITH APPROPRIATE FASTENER FOR THE TYPE OF DECK USED.



- WARNING:
1. ERICO products shall be installed and used only as indicated in ERICO product instruction sheets and training materials. Instruction sheets are available at [www.erico.com](http://www.erico.com) and from your ERICO customer service representative.
  2. ERICO products must never be used for a purpose other than the purpose for which they were designed or in a manner that exceeds specified load ratings.
  3. All instructions must be completely followed to ensure proper and safe installation and performance.
  4. Improper installation, misuse, misapplication or other failure to completely follow ERICO's instructions and warnings may cause product malfunction, property damage, serious bodily injury and death.
  5. Products that are manufactured using spring steel components shall be used only in a non-corrosive indoor environment.
  6. All pipe supports, hangers, intermediate components and structural attachments must ONLY be used as described herein and are NEVER to be used for any other purpose.

NOTE: All load ratings are for static conditions and do not account for dynamic loading such as wind, water or seismic loads, unless otherwise noted.

- The customer is responsible for:
- a. Conformance to all governing codes.
  - b. The integrity of structures to which the products are attached, including their capability of safely accepting the loads imposed, as evaluated by a qualified engineer.
  - c. Using appropriate industry standard hardware as noted above.

**SAFETY INSTRUCTIONS:**  
 All governing codes and regulations and those required by the job site must be observed.  
 Always use appropriate safety equipment such as eye protection, hard hat, and gloves as appropriate to the application.



CADDY, CADWELD, CRITEC, ERICO, ERIFLEX, ERITECH, and LENTON are registered trademarks of ERICO International Corporation.

TECHNICAL SUPPORT:  
[www.erico.com](http://www.erico.com)

CFS236\_J

1 OF 2

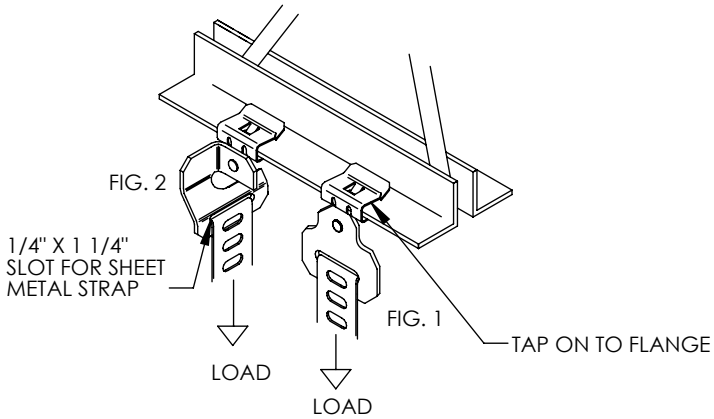
© 2007, 2015 ERICO International Corporation.



# STRAP HANGER ASSEMBLIES

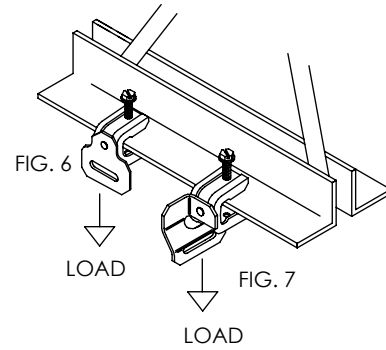
## INSTALLATION ON FLANGE:

TAP ON UNTIL THE CLIP IS FULLY SECURED



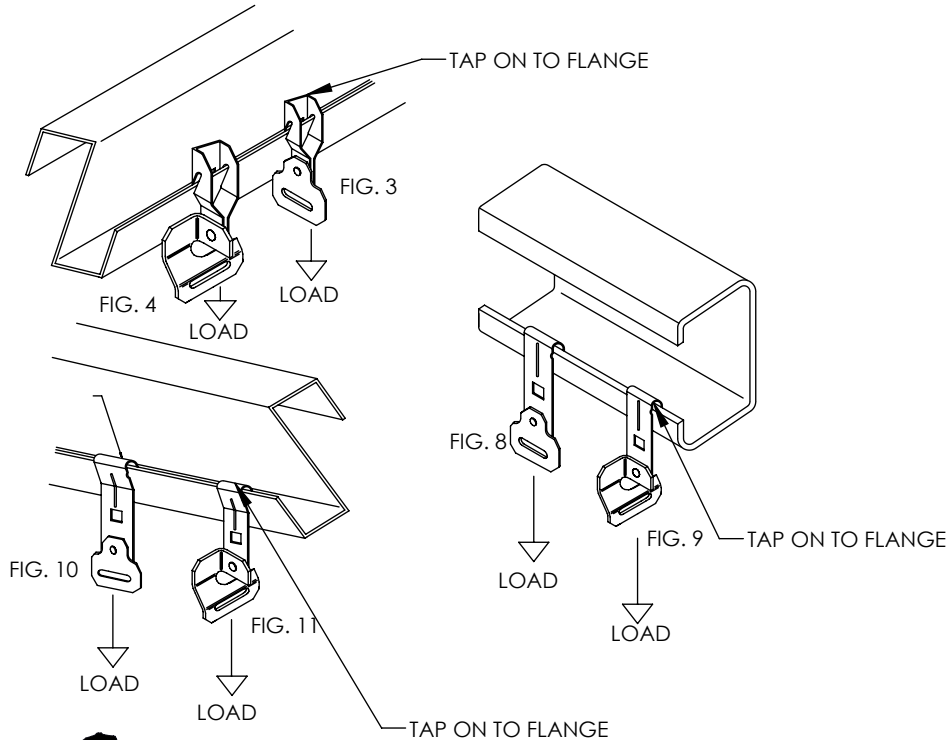
## INSTALLATION ON BEAM:

TIGHTEN SCREW UNTIL THE CLIP IS FULLY SECURED



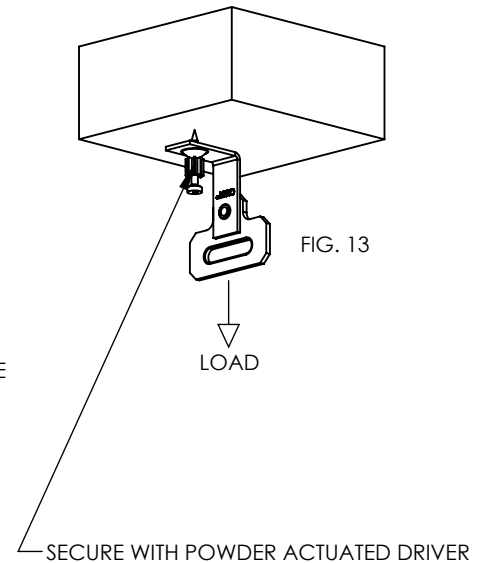
## INSTALLATION ON PURLIN:

TAP ON UNTIL THE CLIP IS FULLY SECURED



## INSTALLATION ON CONCRETE CEILING:

USE APPROPRIATE DRIVER TO SECURE HANGER



CADDY, CADWELD, CRITEC, ERICO, ERIFLEX, ERITECH, and LENTON are registered trademarks of ERICO International Corporation.

TECHNICAL SUPPORT:  
www.erico.com

CFS236\_J

2 OF 2

© 2007, 2015 ERICO International Corporation.

