



INSTALLATION INSTRUCTIONS



SEISMIC RESTRAINTS

FLANGE CLAMPS FOR CONDUIT AND THREADED RODS

WARNING:

CADDY Fasteners are intended for indoor use in non-corrosive environments only. CADDY Fasteners must be used only as illustrated. Misuse or misapplication may cause failure resulting in property damage or bodily injury.

NOTE: STATIC load limits are for *fastener only*. Structures to which the fastener is attached must be evaluated separately.

IMPORTANT: When using CADDY Fasteners:

1. Wire and rod, must meet A.S.I. CARBON OR STEEL WIRE AND ROD STANDARDS-FOR COARSE ROUND WIRE.
2. Flanges, pulleys, angle iron, bar joists etc., must meet A.S.I. HOT ROLLED AND COLD FINISHED BAR STANDARDS.
3. Threaded rod, must meet A.S.I. THREADED ROD SPECIFICATIONS AND TOLERANCES.

SAFETY INSTRUCTIONS: All safety regulations required by the jobsite must be observed. Special attention should be given to the following instructions:

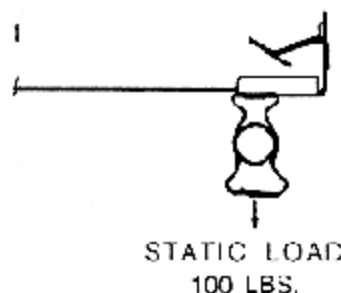
WHILE WORKING OR ON THE JOBSITE:

1. Observe all Federal and local safety regulations.
2. Wear a hard hat.
3. Wear safety glasses with side shields.
4. Wear gloves to avoid splinters and cuts.
5. When working above ground level, be sure the structure will support your weight.
6. Be aware of personnel working above and below.

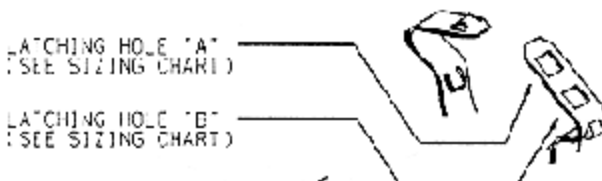
APPLICATION CHART

Part No	Flange	Conduit	Fig.
CM24812M	1/8-1/4	1/2 & 3/4 Conduit	1
CM2416M	1/8-1/4	1" Conduit	1
CM58912M	5/16-1/2	1/2 & 3/4 Conduit	1
CM5816M	5/16-1/2	1" Conduit	1
CM912812V	1/2-3/4	1/2 & 3/4 Conduit	1
CM91216M	1/2-3/4	1" Conduit	1

FIG. 1

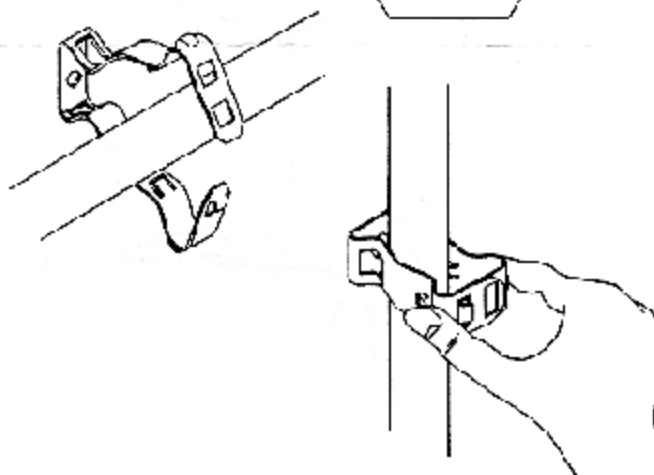


STATIC LOAD
100 LBS.



LATCHING HOLE "A"
(SEE SIZING CHART)

LATCHING HOLE "B"
(SEE SIZING CHART)



CATALOG NUMBER	CONDUIT SIZE	MOUNTING HOLE	LATCHING HOLE	
			A	B
012H	1/2" - 3/4"	5/32" PLAIN	3/4" ENT. INC. RIGID INC. FLSID	1/2" ENT. FLSID
312H1	1/2" - 3/4"	1/4" - 23 THREAD IMPRESSION	3/4" ENT. INC. RIGID INC. FLSID	1/2" ENT. FLSID

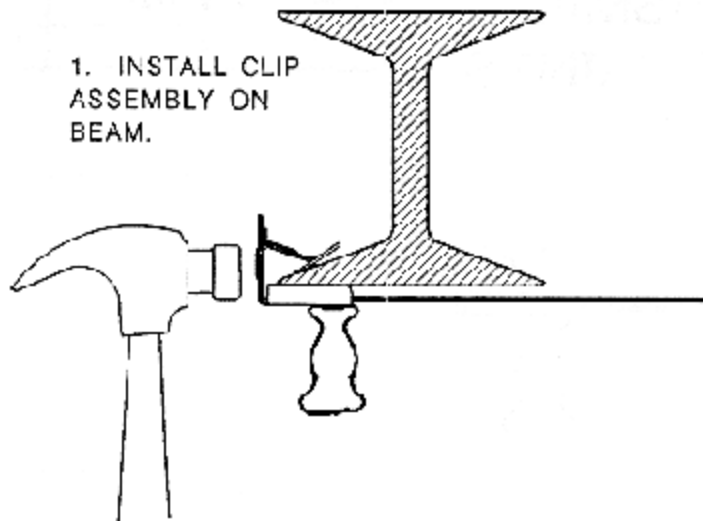
SEE REVERSE
SIDE FOR
INSTALLATION
INSTRUCTIONS



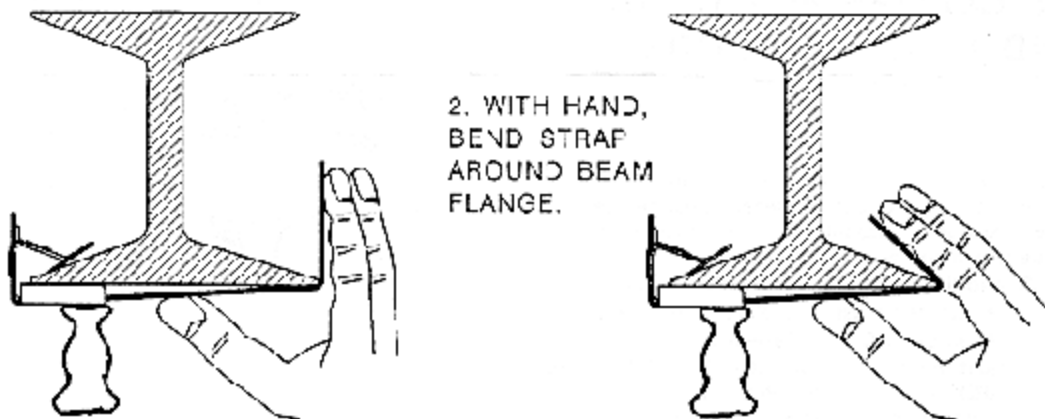


INSTALLATION INSTRUCTIONS

1. INSTALL CLIP ASSEMBLY ON BEAM.



2. WITH HAND, BEND STRAP AROUND BEAM FLANGE.



3. HAMMER STRAP TIGHT TO TOP OF FLANGE.

