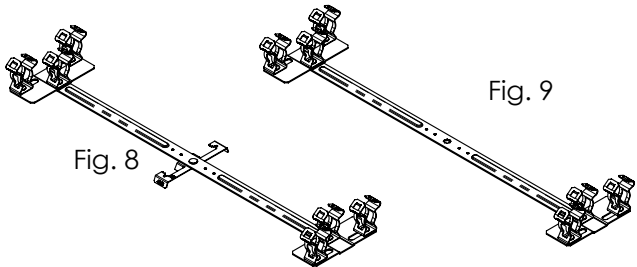
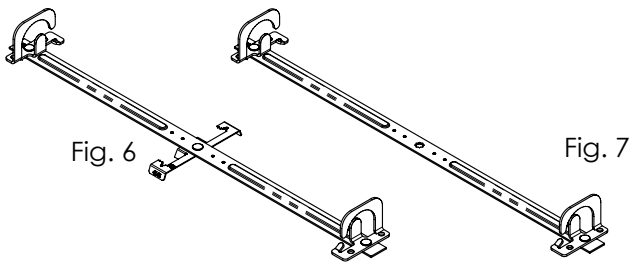
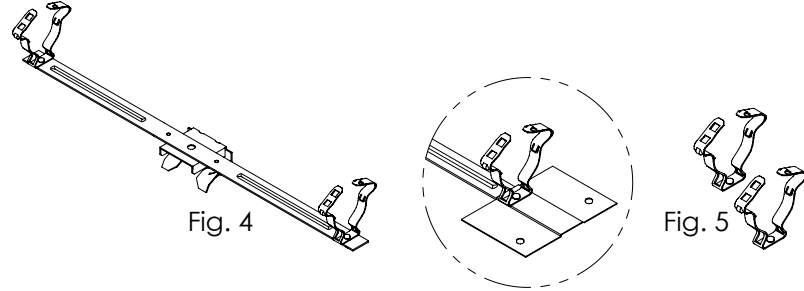
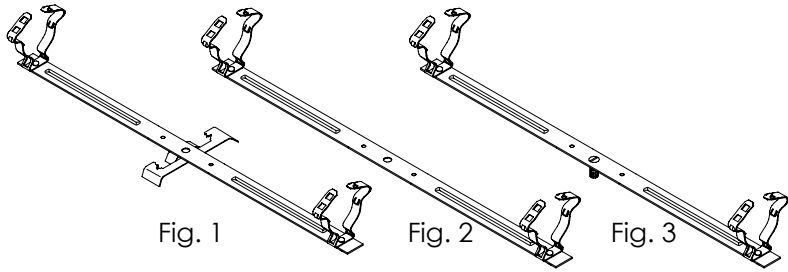


# B18 Series Combination Box and/or Conduit/Cable Hangers from Drop Wire/Rod and Beam



Sizing Chart			
Global Part Number	Fig.	Conduit/Cable	Installation Attachment
6MB18	1	MC/AC	Attaches to #12 wire through 1/4" [6] rod or 1/8" [3] through 1/4" [6] flange.
812MB18	1	1/2" [13] & 3/4" [19]	
16MB18	1	1" [25]	
MCS50B18	6	MC/AC	
MCS100B18	6	MC/AC	
6M3B18CO	8	MC/AC	Attaches to 3/8" [10] plain or threaded rod or 1/4" [6] through 3/8" [10] flange.
6MB186	1	MC/AC	
812MB186	1	1/2" & 3/4"	
16MB186	1	1" [25]	
812MB188Z	1	1/2" [13] & 3/4" [19]	Attaches to 1/2" [13] & 5/8" [16] threaded rod
6MB1824	4	MC/AC	Attaches to 1/8" [3] through 1/4" [6] flange.
812MB1824	4	1/2" [13] & 3/4" [19]	
16MB1824	4	1" [25]	
6MB1858	4	MC/AC	Attaches to 5/16" [8] though 1/2" [13] flange.
812MB1858	4	1/2" [13] & 3/4" [19]	
16MB1858	4	1" [25]	
812MB18912	4	1/2" [13] & 3/4" [19]	9/16" [14] though 3/4" [19] flange
6MB18A	2	MC/AC	1/4" [6] center hole for screw or threaded rod mount.
812MB18A	2	1/2" [13] & 3/4" [19]	
16MB18A	2	1" [25]	
MCS50B18A	7	MC/AC	
6M3B18ACO	9	MC/AC	
812MB18S	3	1/2" [13] & 3/4" [19]	1/4-20 x 5/8" [16] stud.
*(XXX)CO	5	Factory riveted assembly for multiple conduit clips, mounting plate and oneclip, factory riveted. Additional conduit clips ordered seperately.	
SMS8	-	Self tapping screws for mounting box to bar.	

\* To order with B18CO, add the suffix "CO" to the above part number. Additional conduit with thread impression use the 4I extension. (EX. 812M4I)

Note:

1. May require dedicated drop wire/rod - consult local authority.
2. Product intended for single and multiple runs of conduit. For single runs, extra leg may be bent or removed if needed.
3. When mounting box to B18 Bar and using screws, such as CADDY SMS8, two screws are required. When supporting the CADDY B18 series with threaded rod going through both the B18 and the box, this single support is appropriate. Additional screws are not necessary.

WARNING:

1. Pentair products shall be installed and used only as indicated in Pentair product instruction sheets and training materials. Instruction sheets are available at [www.erico.pentair.com](http://www.erico.pentair.com) and from your Pentair customer service representative.
2. PENTAIR products must never be used for a purpose other than the purpose for which they were designed or in a manner that exceeds specified load ratings.
3. All instructions must be completely followed to ensure proper and safe installation and performance.
4. Improper installation, misuse, misapplication or other failure to completely follow Pentair's instructions and warnings may cause product malfunction, property damage, serious bodily injury and/or death, and void your warranty.
5. Products that are manufactured using spring steel components shall be used only in a non-corrosive indoor environment.
6. All pipe supports, hangers, intermediate components and structural attachments must ONLY be used as described herein and are NEVER to be used for any other purpose.

NOTE: All load ratings are for static conditions and do not account for dynamic loading such as wind, water or seismic loads, unless otherwise noted.

The customer is responsible for:

- a. Conformance to all governing codes.
- b. The integrity of structures to which the products are attached, including their capability of safely accepting the loads imposed, as evaluated by a qualified engineer.
- c. Using appropriate industry standard hardware as noted above.

SAFETY INSTRUCTIONS:

All governing codes and regulations and those required by the job site must be observed. Always use appropriate safety equipment such as eye protection, hard hat, and gloves as appropriate to the application.

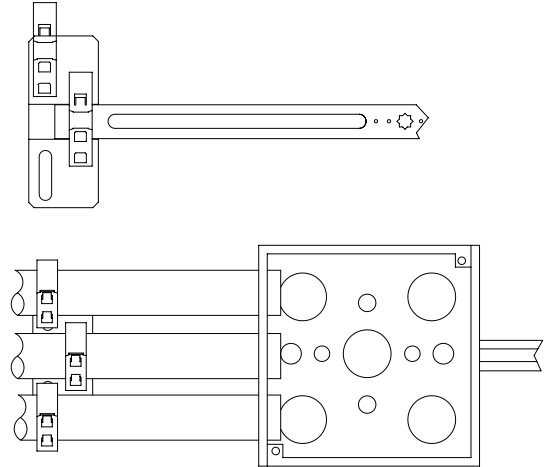
Pentair, CADDY, ERICO CADWELD, ERICO CRITEC, ERICO, ERIFLEX, and LENTON are owned by Pentair or its global affiliates. All other trademarks are the property of their respective owners. Pentair reserves the right to change specifications without prior notice.



## Multiple conduit/cable assembly

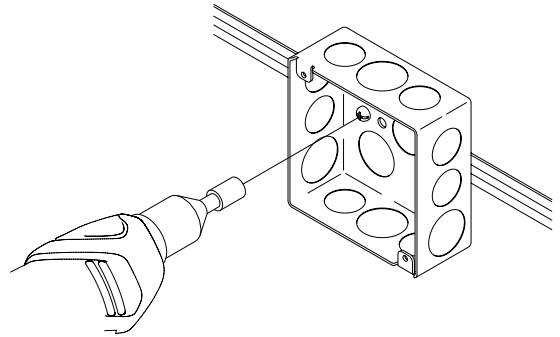
To add additional conduit clips, position the additional clip over the slot on the B18CO. Secure with screw part number S3575BP50 (1/4-20 x 3/8" [10] round head).

Conduit clips can slide within the slots to position them with the knockouts in the electrical box.

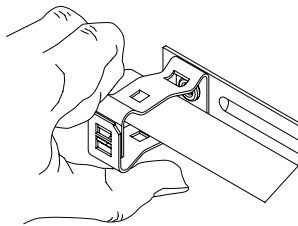


## Attaching B18 series assembly to box

Attach box with two self tapping screws (SMS8) using the mounting holes on B18.

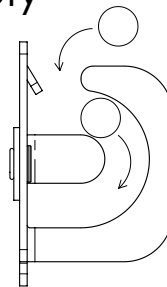


## Attaching cable/conduit to B18 series assembly



For conduit/cable installation into 6M, 812M and 16M clips.

After conduit/cable is installed into box, snap clips closed around conduit/cable.



For cable installation into MCS50 and MCS100.

Insert cables into opening as shown then slide cables around the "U".

MCS50 holds approximately 4 cables ( $\phi$ 0.430 [10.92] through  $\phi$ 0.560 [14.22])

MCS100 holds approximately 8 cables.

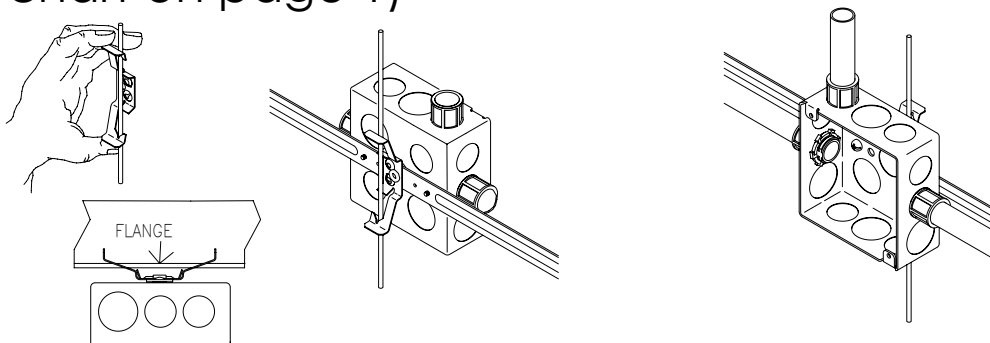


Pentair, CADDY, ERICO CADWELD, ERICO CRITEC, ERICO, ERIFLEX, and LENTON are owned by Pentair or its global affiliates. All other trademarks are the property of their respective owners. Pentair reserves the right to change specifications without prior notice.

## Installation attachment: Drop wire or flange (see sizing chart on page 1)

Part Number

6MB18  
812MB18  
16NB18  
MCS50B18  
MCS100B18  
6M3B18CO  
6MB186  
812MB186  
16MB186  
812MB188Z



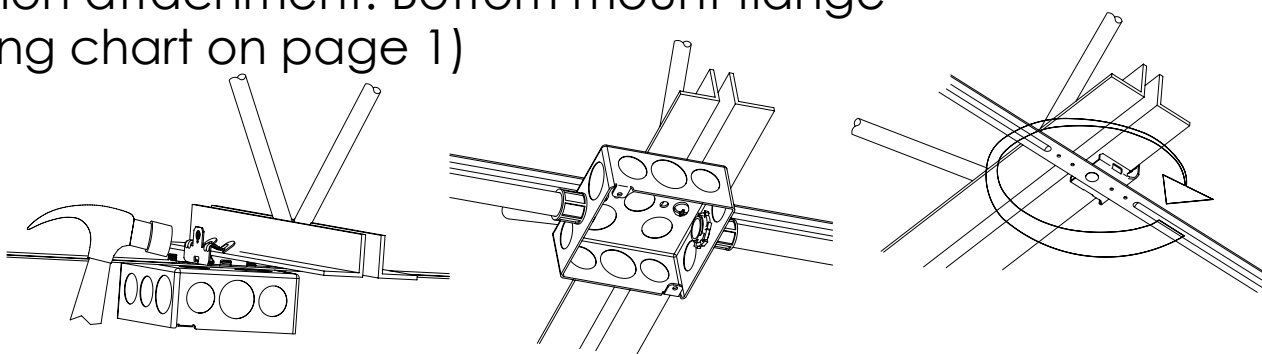
1) Squeeze fastener and connect top edge over wire, rod or onto flange edge. Twist into place and squeeze.

2) Install conduit/cable in box.

## Installation attachment: Bottom mount flange (see sizing chart on page 1)

Part Number

6MB1824  
812MB1824  
16MB1824  
6MB1824  
812MB1858  
16MB1858  
812MB18912



1) With Hammer, tap clamp onto flange.

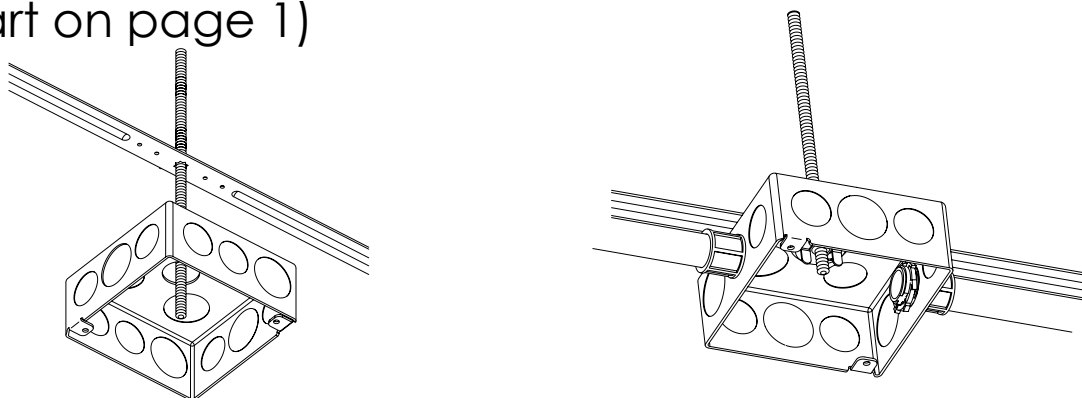
2) Install conduit/cable in box.

Single swivel rotates 360°

## Installation attachment: Screw or threaded rod (see sizing chart on page 1)

Part Number

6MB18A  
812MB18A  
16MB18A  
MCS50B18A  
6M3B18ACO  
812MB18S



1) Insert threaded rod or screw through the center hole of the box and B18 series hanger as shown.

2) Install conduit/cable into the box.

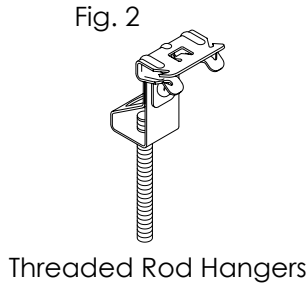
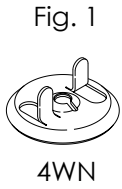
Threaded rod needs a nut and washer placed against the box and B18 series hanger to secure them.

When a screw or stud is used, a nut is only needed on the side opposite of the screw head to secure the assembly.



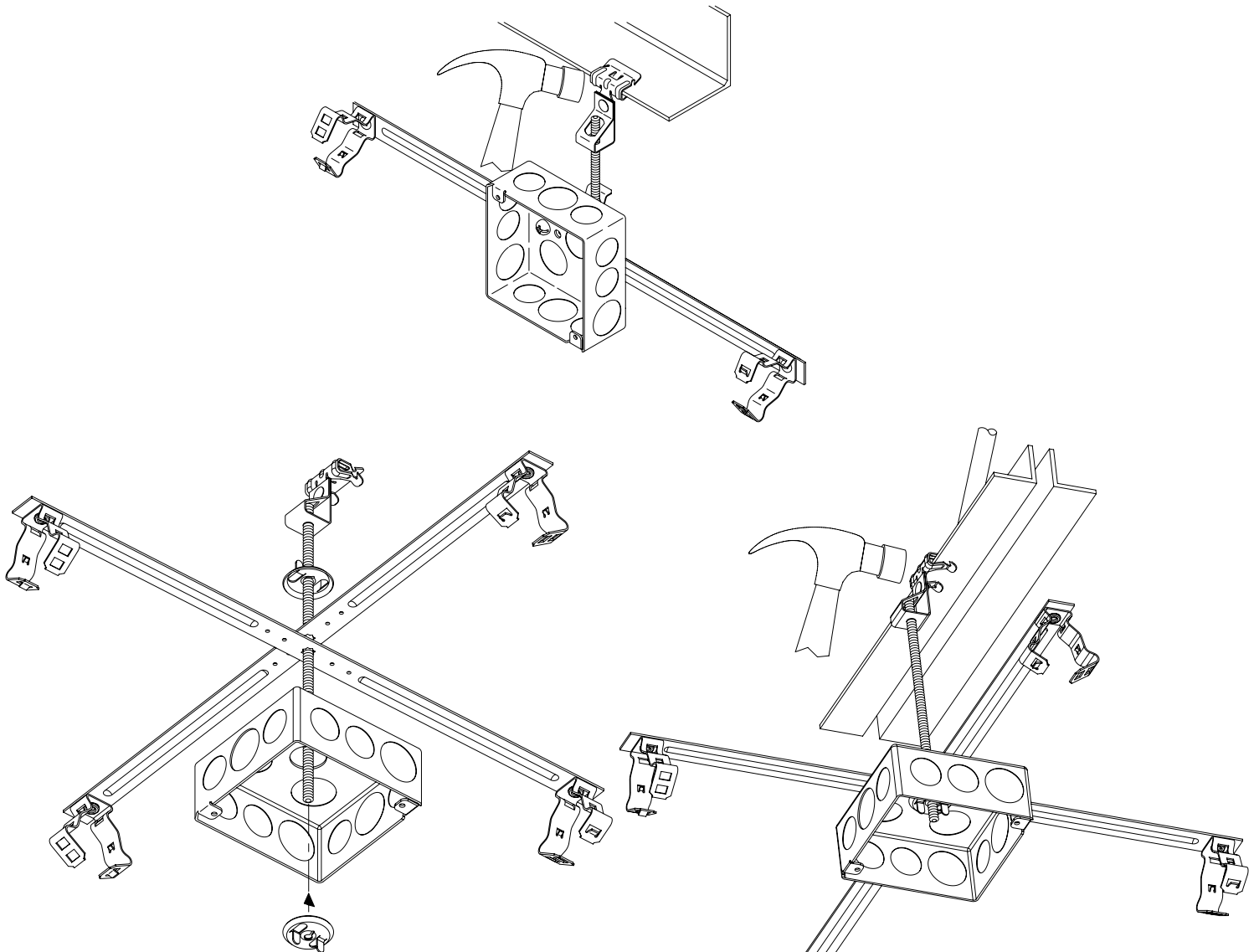
Pentair, CADDY, ERICO CADWELD, ERICO CRITEC, ERICO, ERIFLEX, and LENTON are owned by Pentair or its global affiliates. All other trademarks are the property of their respective owners. Pentair reserves the right to change specifications without prior notice.

# Additional B18 series applications



Sizing Chart		
Part Number	Fig.	Description
4WN	1	1/4" [6] Threaded rod to 1/8" [3] through 1/4" [6] flange
4T124	2	1/4" [6] Threaded rod to 5/16" [8] through 1/4" [6] flange
4T158	2	1/4" [6] Threaded rod to 5/16" [8] through 1/2" [13] flange
4T1912	2	1/4" [6] Threaded rod to 9/16" [14] through 3/4" [19] flange
6T124	2	3/8" [10] Threaded rod to 5/16" [8] through 1/4" [6] flange
6T158	2	3/8" [10] Threaded rod to 5/16" [8] through 1/2" [13] flange
6T1912	2	3/8" [10] Threaded rod to 9/16" [14] through 3/4" [19] flange

Assemble as shown using B18 series hangers with additional products listed in sizing chart on this page.



This installation allows either 2 or 4 runs of conduit to box. Determine your needs and push either 1 or 2 plain center hole B18 assemblies onto rod.



Pentair, CADDY, ERICO CADWELD, ERICO CRITEC, ERICO, ERIFLEX, and LENTON are owned by Pentair or its global affiliates. All other trademarks are the property of their respective owners. Pentair reserves the right to change specifications without prior notice.