



INSTALLATION INSTRUCTIONS

812M Conduit Clips

Fingerlock

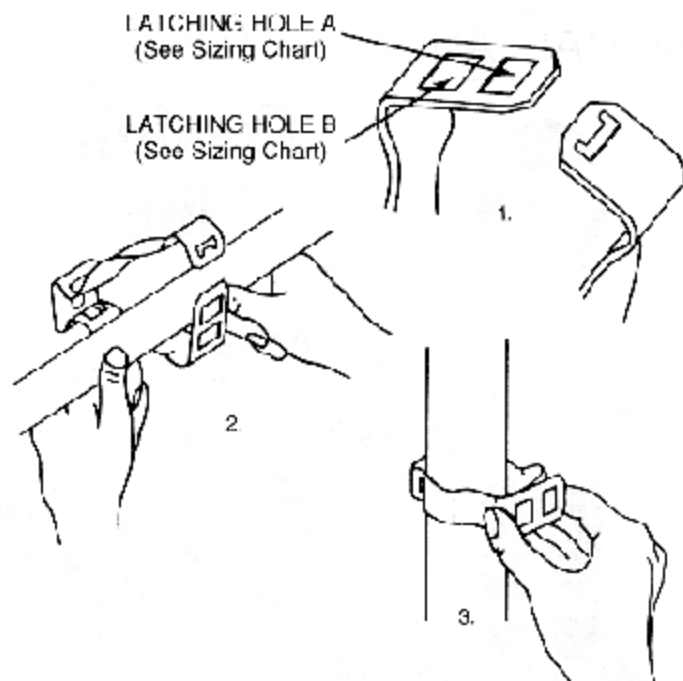


PATENT PENDING



INSTALLATION

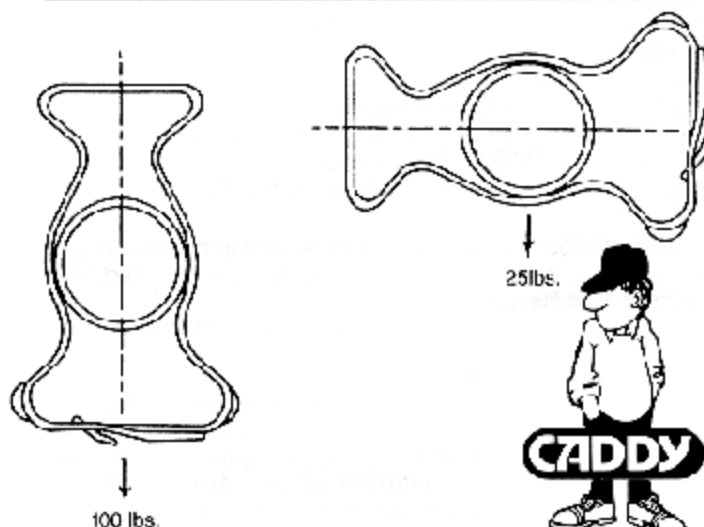
1. Select appropriate latching hole from sizing chart.
2. Fit conduit into clip.
3. Snap locking tab into desired hole using fingers (as shown) or pliers.



SIZING CHART

CATALOG NUMBER	CONDUIT SIZE	MOUNTING HOLE	LATCHING HOLE	
			A	B
812M	1/2"-3/4"	3/32" plain	3/4" EMT, IMC, Rigid	1/2" EMT, IMC, Rigid
812M41	1/2"-3/4"	1/4"-20 Thread Impression	3/4" EMT, IMC, Rigid	1/2" EMT, IMC, Rigid

APPLICATION



WARNING:

CADDY® Fasteners are intended for indoor use in non-corrosive environments only. CADDY Fasteners must be used only as illustrated. Misuse or misapplication may cause failure resulting in property damage or bodily injury.

NOTE: STATIC load limits are for fastener only. Structures to which the fastener is attached must be evaluated separately.

IMPORTANT: When using CADDY Fasteners:

1. Wire and rod, must meet A.S.T. CARBON OR STEEL WIRE AND ROD STANDARDS - FOR COARSE ROUND WIRE.
2. Flanges, purlins, and angle iron, bar joist etc., must meet A.S.T. HOT ROLLED AND COLD FINISHED BAR STANDARDS.
3. Threaded rod, must meet A.N.S.I. THREADED ROD SPECIFICATION AND TOLERANCES.

SAFETY INSTRUCTIONS: All safety regulations required by the job site must be observed. Special attention should be given to the following instructions.

While working on the jobsite:

1. Observe all Federal and local safety regulations.
2. Wear a hard hat.
3. Wear safety glasses with side shields.
4. Wear gloves to avoid splinters and cuts.
5. When working above ground level, be sure the structure will support your weight.
6. Be aware of personnel working above and below.





INSTALLATION INSTRUCTIONS

Conduit Clips

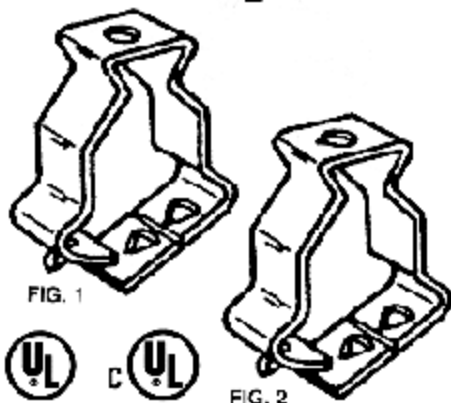


FIG. 2

NOW
with Fingerlock

Fingerlock

WARNING:

CADDY® Fasteners are intended for indoor use in non-corrosive environments only. CADDY Fasteners must be used only as illustrated. Misuse or misapplication may cause failure resulting in property damage or bodily injury.

NOTE: STAT C load limits are for fastener only. Structures to which the fastener is attached must be evaluated separately.

IMPORTANT: When using CADDY Fasteners

1. Wire and rod must meet A.I.S.I. CARBON OR STEEL WIRE AND ROD STANDARDS - FOR COARSE ROUND WIRE.
2. Flanges, purlins, and angle iron, bar joist etc., must meet A.I.S.I. HOT ROLLER AND COIL FINISHED BAR STANDARDS.
3. Threaded rod, must meet A.N.S.I. THREADED ROD SPECIFICATION AND TOLERANCES.

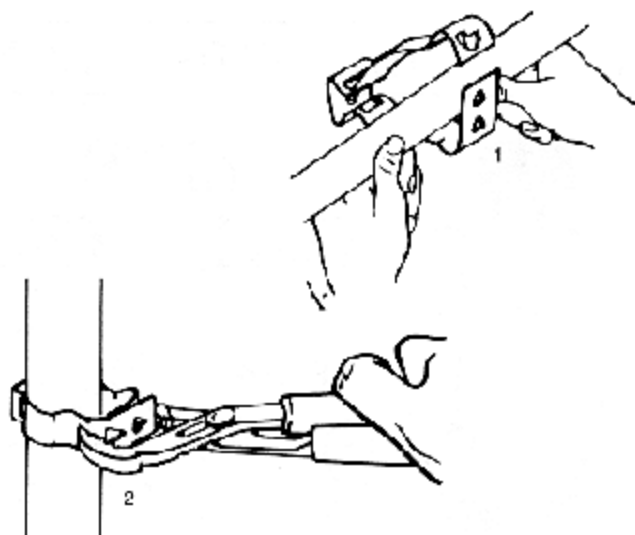
SAFETY INSTRUCTIONS: All safety regulations required by the job site must be observed. Special attention should be given to the following instructions.

While working on the jobsite:

1. Observe all Federal and local safety regulations.
2. Wear a hard hat.
3. Wear safety glasses with side shields.
4. Wear gloves to avoid splinters and cuts.
5. When working above ground level, be sure the structure will support your weight.
3. Be aware of personnel working above and below.

INSTALLATION

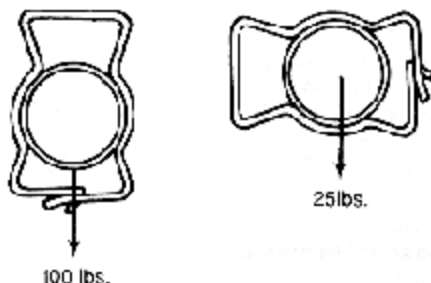
1. Fit conduit into clip.
2. Snap locking tab into hole. When only one hole is provided use for thinwall or rigid; when 2 holes are provided use the first hole for rigid, the second for thinwall.



SIZING CHART

CATALOG NUMBER	FIG. NO.	CONDUIT SIZE	MOUNTING
6M	1	3/8"	5/32" plair
16M	1	1"	5/32" plair
20M	1	1-1/4"	5/32" plair
24M	1	1-1/2"	5/32" plair
32M	1	2"	5/32" plair
16M/4I	2	1"	1/4"-20 thread impression
20M/4I	2	1 1/4"	1/4"-20 thread impression
24M/4I	2	1-1/2"	1/4"-20 thread impression
32M/4I	2	2"	1/4"-20 thread impression

APPLICATION



100 lbs.
25 lbs.
STATIC LOAD LIMITS AS SHOWN ABOVE.



CADDY
FASTENERS

34600 Solon Road
Solon, Ohio 44139
(800) 25-CAJUY
Fax: (800) 462-4699