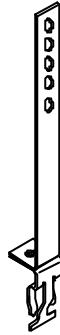


# INSTALLATION INSTRUCTIONS

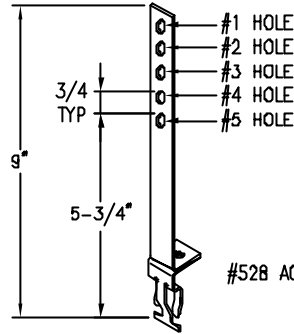


## DFN Clip #528 Series

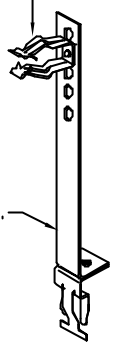


ORDERING INFORMATION		
Brkt. Catalog No.	Conduit Size	Hole Pos.

EXAMPLE: MOUNTING  
3/4" E.M.T. IN THE  
2ND HOLE LOCATION  
ORDER #52B-12p-2



"P" SERIES CONDUIT CLIP



#528 ACOUSTICAL BRKT.

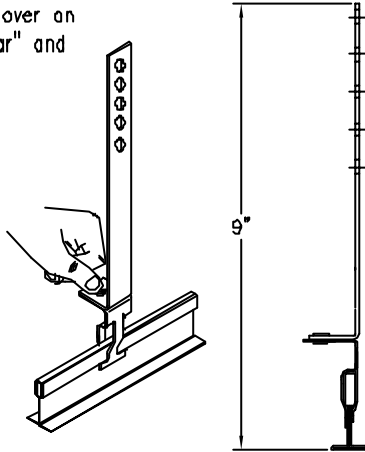
52B-12P-2 SHOWN

### SIZING CHART

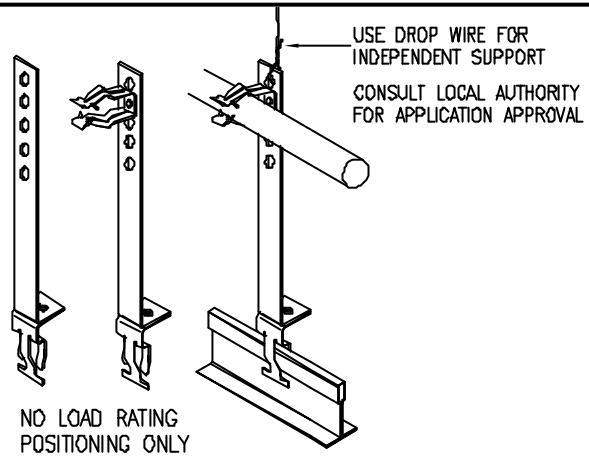
CATALOG NO.	CONDUIT SIZE	PACKAGED PER BOX
#52B	----	50
#5288P	FOR 1/2" EMT CONDUIT	25
#52812P	FOR 3/4" EMT CONDUIT	25
#52816P	FOR 1" EMT CONDUIT	25

## INSTALLATION

- Place inverted "T" tab against acoustical "Tee Bar."
- Push curved tabs back over an opposite side of "Tee Bar" and push down.



## APPLICATION



### WARNING:

- Caddy® Fasteners that are manufactured using spring steel components may be used only in a non-corrosive indoor environment. Only non-spring steel fasteners that have protective coatings may be used otherwise, as specified.
- Fasteners must be used only in the manner depicted in the illustrations that accompany it and must not exceed static load ratings noted.
- Fasteners are designed for use with a variety of industry standard building materials, structural shapes, and mechanical components. For the fastener to work properly, these items must meet the appropriate industry standards. (Examples: ANSI, AISC, AISI)
- The buyer and/or installer is responsible for:
  - Application in conformance to local codes.
  - The integrity of structures to which the fasteners is attached, including their capability of safely accepting the loads imposed, as evaluated by a qualified engineer.
  - Using appropriate industry standard hardware as noted above.
- Failure to observe these specifications may cause product malfunction resulting in property damage or bodily injury. ERICO Products at the time of shipment are warranted to conform to any applicable written description furnished to the Buyer by ERICO, and to be free from defects in material and workmanship. NO OTHER WARRANTY, WHETHER EXPRESS OR IMPLIED, (INCLUDING ANY WARRANTY OF MERCHANTABILITY OR FITNESS), SHALL EXIST IN CONNECTION WITH THE SALE OR USE OF ANY ERICO PRODUCT.

**SAFETY INSTRUCTIONS:** All safety regulations required by the job site must be observed. Special attention should be given to the following instructions. While working on the job site:

- Observe all Federal and local safety regulations.
- Wear safety glasses with side shields.
- Be aware of personnel working above and below.
- Wear a hard hat.
- Wear gloves to avoid splinters and cuts.
- When working above ground level, be sure the structure will support your weight.

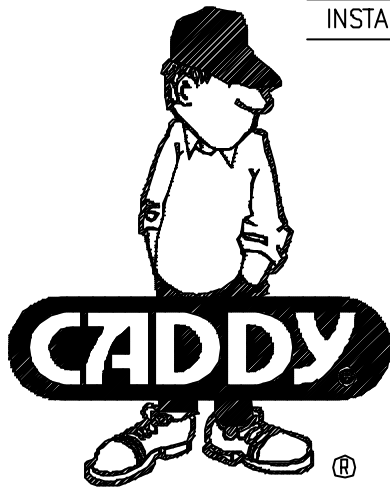
TECHNICAL SUPPORT PHONE:  
(800) 25-CADDY  
(1-800-252-2339)

**ERICO®**

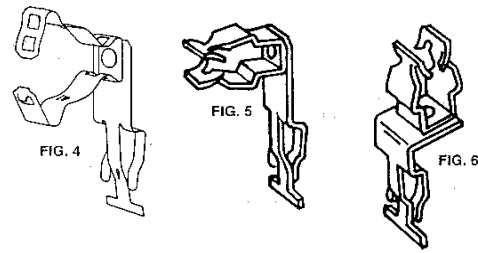
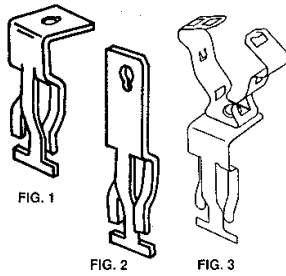
© 2001 ERICO, INC.

CFS119C

PRINTED IN U.S.A.



## Acoustical Tee Bar Clips



## SIZING CHART

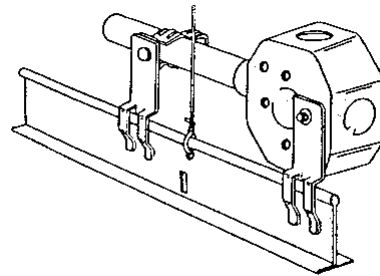
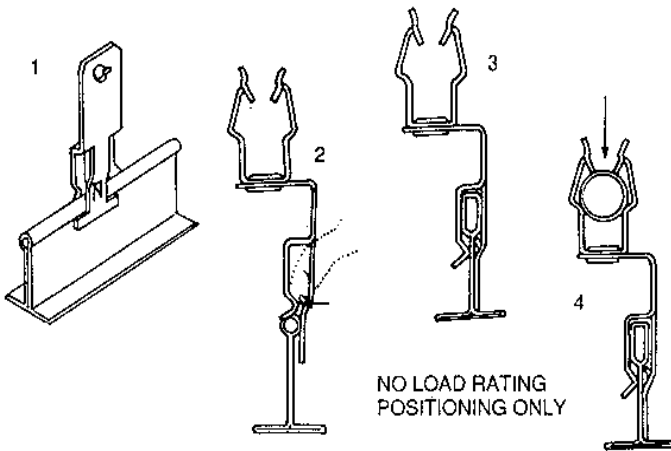
CATALOG NUMBER	FIG. NO.	DESCRIPTION
ATA4I	1	"AT" clip, top mount with 1/4"-20 thread impression
ATS4I	2	"AT" clip, side mount with 1/4"-20 thread impression
6MATA	3	"AT" clip with top mounted conduit clip for 3/8" conduit
812MATA	3	"AT" clip with top mounted conduit clip for 1/2"-3/4" conduit
8PATA	6	"AT" clip with top mounted conduit clip for 1/2" conduit
12PATA	6	"AT" clip with top mounted conduit clip for 3/4" conduit
16MATA	3	"AT" clip with top mounted conduit clip for 1" conduit
16PATA	6	"AT" clip with top mounted conduit clip for 1" conduit
6MATS	4	"AT" clip with side mounted conduit clip for 3/8" conduit
812MATS	4	"AT" clip with side mounted conduit clip for 1/2"-3/4" conduit
8PATS	5	"AT" clip with side mounted conduit clip for 1/2" conduit
12PATS	5	"AT" clip with side mounted conduit clip for 3/4" conduit
16MATS	4	"AT" clip with side mounted conduit clip for 1" conduit
16PATS	5	"AT" clip with side mounted conduit clip for 1" conduit

NOTE: When using rigid conduit on P series, use next larger clip (1/2" rigid use 12-P).  
NOTE: Not to be used to support tee bar.

## INSTALLATION

Provides a positive means of supporting conduit boxes above acoustical tee-bar.

- Place inverted "T" tab against acoustical "Tee Bar" as shown.
- Push curved tabs back over on opposite side of "Tee Bar" as indicated by arrows.
- Push firmly down on clip. Make sure clip is all the way down on "Tee Bar" and lock tab is under top of "Tee Bar".
- Push conduit in.



### WARNINGS:

- Caddy® Fasteners that are manufactured using spring steel components may be used only in a non-corrosive indoor environment. Only non-spring steel fasteners that have protective coatings may be used otherwise, as specified.
- Fasteners must be used only in the manner depicted in the illustrations that accompany it and must not exceed static load ratings noted.
- Fasteners are designed for use with a variety of industry standard building materials, structural shapes, and mechanical components. For the fastener to work properly, these items must meet the appropriate industry standards. (Examples: ANSI, AISC, AISI)
- The buyer and/or installer is responsible for:
  - Application in conformance to local codes.
  - The integrity of structures to which the fastener is attached, including their capability of safely accepting the loads imposed, as evaluated by a qualified engineer.
  - Using appropriate industry standard hardware as noted above.
- Failure to observe these specifications may cause product malfunction resulting in property damage or bodily injury. ERICO Products at the time of shipment are warranted to conform to any applicable written description furnished to the Buyer by ERICO, and to be free from defects in material and workmanship. NO OTHER WARRANTY, WHETHER EXPRESS OR IMPLIED, (INCLUDING ANY WARRANTY OF MERCHANTABILITY OR FITNESS), SHALL EXIST IN CONNECTION WITH THE SALE OR USE OF ANY ERICO PRODUCT.

**SAFETY INSTRUCTIONS:** All safety regulations required by the job site must be observed. Special attention should be given to the following instructions. While working on or on the job site:

- Observe all Federal and local safety regulations.
- Wear safety glasses with side shields.
- Be aware of personnel working above and below.
- Wear a hard hat.
- Wear gloves to avoid splinters and cuts.
- When working above ground level, be sure the structure will support your weight.

