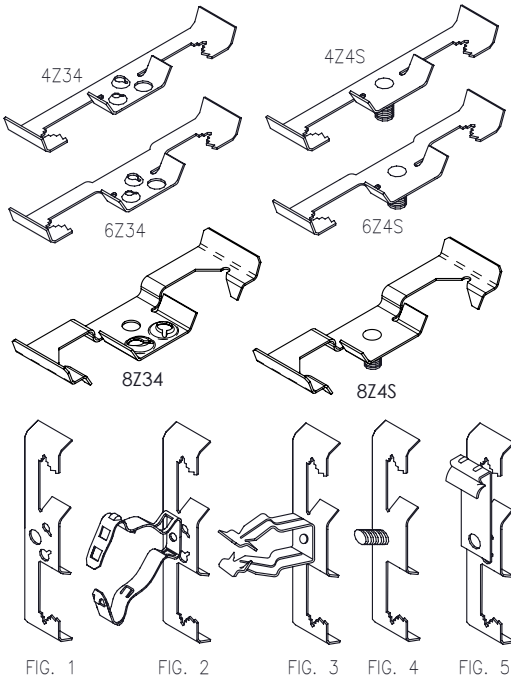
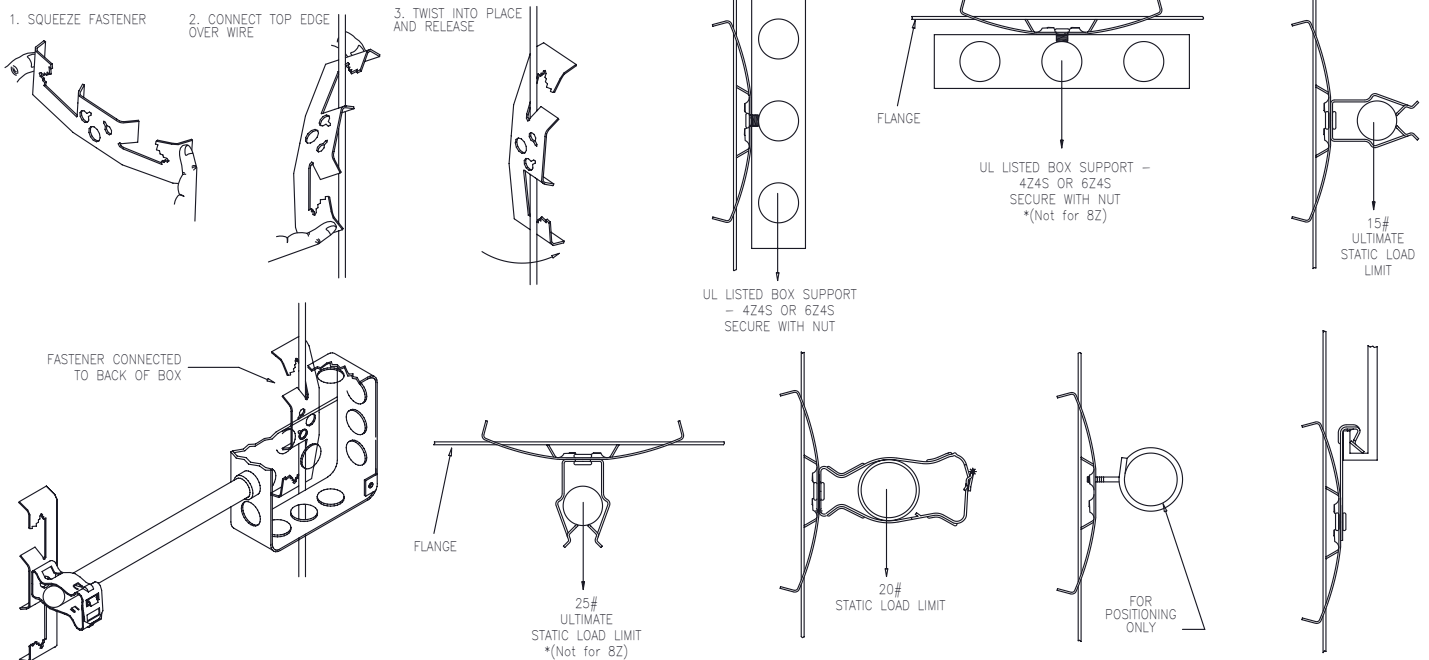


MULTI-FUNCTION CLIP



Part Number	Fig. No	Description	Flange Size	
4Z34	1	Multi-Function Clip: #12 Wire thru 1/4" [6] plain or threaded rod	1/8" to 3/8"	
4Z346M	2	14-2 thru 12-3 MC/AC cable; #12 Wire thru 1/4" [6] plain or threaded rod		
4Z34812M		1/2" [13] or 3/4" [19] Conduit; #12 Wire thru 1/4" [6] plain or threaded rod		
4Z3416M		1" [25] Conduit; #12 Wire thru 1/4" [6] plain or threaded rod		
4Z348P	3	1/2" [13] EMT Conduit; #12 Wire thru 1/4" [6] plain or threaded rod		
4Z3412P		3/4" [19] EMT Conduit; #12 Wire thru 1/4" [6] plain or threaded rod		
4Z3416P		1" [25] EMT Conduit; #12 Wire thru 1/4" [6] plain or threaded rod		
4Z4S	4	With stud, #12 Wire thru 1/4" [6] plain or threaded rod, UL listed box support	3/8" to 7/16"	
6Z34	1	Multi-Function clip: 3/8" [10] Plain or threaded rod		
6Z346M	2	14-2 thru 12-3 MC/AC cable; 3/8" [10] plain or threaded rod		
6Z34812M		1/2" [13] or 3/4" [19] Conduit; 3/8" [10] Plain or threaded rod		
6Z3416M		1" [25] Conduit; 3/8" [10] plain or threaded rod		
6Z348P	3	1/2" [13] EMT conduit; 3/8" [10] plain or threaded rod		
6Z3412P		3/4" [19] EMT conduit; 3/8" [10] plain or threaded rod		
6Z3416P		1" [25] EMT conduit; 3/8" [10] plain or threaded rod		
6Z4S	4	With stud; 3/8" [10] plain or threaded rod, UL listed box support		N/A
6Z34J2	5	Multi-Function Clip; 3/8" plain or threaded rod, C purlin hammer-on		
8Z34	1	Multi-Function clip, 1/2" [13] or 5/8" [16] threaded rod		N/A
8Z34812M	2	1/2" [13] or 3/4" [19] Conduit; 1/2" [13] or 5/8" [16] threaded rod		
8Z4S	4	With stud, 1/2" [13] or 5/8" [16] threaded rod	N/A	

Note: May require dedicated drop wire/rod. Consult local code authority
Multi-Function clips are made from Spring Steel



WARNING:

1. Pentair products shall be installed and used only as indicated in Pentair product instruction sheets and training materials. Instruction sheets are available at www.ericopentair.com and from your Pentair customer service representative.
2. PENTAIR products must never be used for a purpose other than the purpose for which they were designed or in a manner that exceeds specified load ratings.
3. All instructions must be completely followed to ensure proper and safe installation and performance.
4. Improper installation, misuse, misapplication or other failure to completely follow Pentair's instructions and warnings may cause product malfunction, property damage, serious bodily injury and/or death, and void your warranty.
5. Products that are manufactured using spring steel components shall be used only in a non-corrosive indoor environment.
6. All pipe supports, hangers, intermediate components and structural attachments must ONLY be used as described herein and are NEVER to be used for any other purpose.

NOTE: All load ratings are for static conditions and do not account for dynamic loading such as wind, water or seismic loads, unless otherwise noted.

The customer is responsible for:

- a. Conformance to all governing codes.
- b. The integrity of structures to which the products are attached, including their capability of safely accepting the loads imposed, as evaluated by a qualified engineer.
- c. Using appropriate industry standard hardware as noted above.

SAFETY INSTRUCTIONS:

All governing codes and regulations and those required by the job site must be observed. Always use appropriate safety equipment such as eye protection, hard hat, and gloves as appropriate to the application.

Pentair, CADDY, ERICO CADWELD, ERICO CRITEC, ERICO, ERIFLEX, and LENTON are owned by Pentair or its global affiliates. All other trademarks are the property of their respective owners. Pentair reserves the right to change specifications without prior notice.

