



# NVENT CADDY PYRAMID CROSSOVER LADDER, 90°



## FEATURES

Vertical ladders ideal for tight spaces

Interchangeable components are easily assembled yielding labor-saving and quick installations

nVent CADDY Pyramid bases provide superior load distribution and roof membrane compatibility

Foam bottom offers low abrasion interface for better roof membrane protection

Aluminum construction designed to withstand harsh environments

Walking surfaces with serrated tread provides maximum slip resistance and drainage

Compliant with OSHA, Cal/OSHA and ANSI® standards

## SPECIFICATIONS

**Material** Aluminum;Polypropylene;Polyethylene

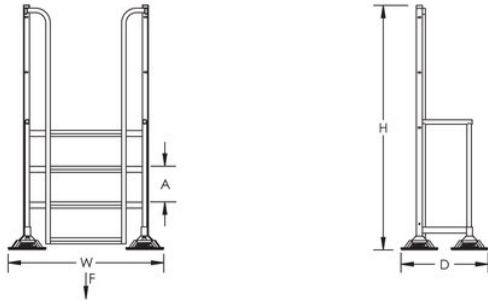
Catalog Number	Walkway Height	Number of Steps	Height(H)	Width(W)	Depth(D)	A	Static Load(F)
PCL90S2	20"	2	62"	52.400"	29.200"	12"	500 lb
PCL90S3	30"	3	72"	52.400"	29.200"	12"	500 lb
PCL90S4	40"	4	82"	52.400"	29.200"	12"	500 lb
PCL90S5	50"	4	92"	52.400"	29.200"	12"	500 lb
PCL90S6	60"	5	102"	52.400"	29.200"	12"	500 lb

## ADDITIONAL PRODUCT DETAILS

Clearance of walkway is 3" less than the walkway height.

## DIAGRAMS

---



## WARNING

---

nVent products shall be installed and used only as indicated in nVent's product instruction sheets and training materials. Instruction sheets are available at [www.nvent.com](http://www.nvent.com) and from your nVent customer service representative. Improper installation, misuse, misapplication or other failure to completely follow nVent's instructions and warnings may cause product malfunction, property damage, serious bodily injury and death and/or void your warranty.

### North America

+1.800.753.9221

Option 1 – Customer Care

Option 2 – Technical Support

### Europe

Netherlands:

+31 800-0200135

France:

+33 800 901 793

### Europe

Germany:

800 1890272

Other Countries:

+31 13 5835404

### APAC

Shanghai:

+ 86 21 2412 1618/19

Sydney:

+61 2 9751 8500



Our powerful portfolio of brands:

[nVent.com](http://nVent.com) **CADDY ERICO HOFFMAN RAYCHEM SCHROFF TRACER**

© 2022 nVent. All nVent marks and logos are owned or licensed by nVent Services GmbH or its affiliates. All other trademarks are the property of their respective owners.

nVent reserves the right to change specifications without notice.